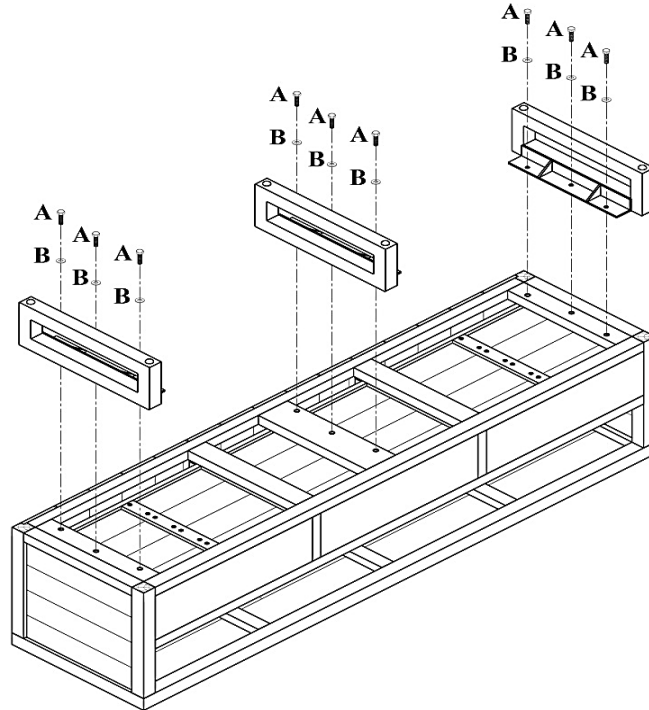


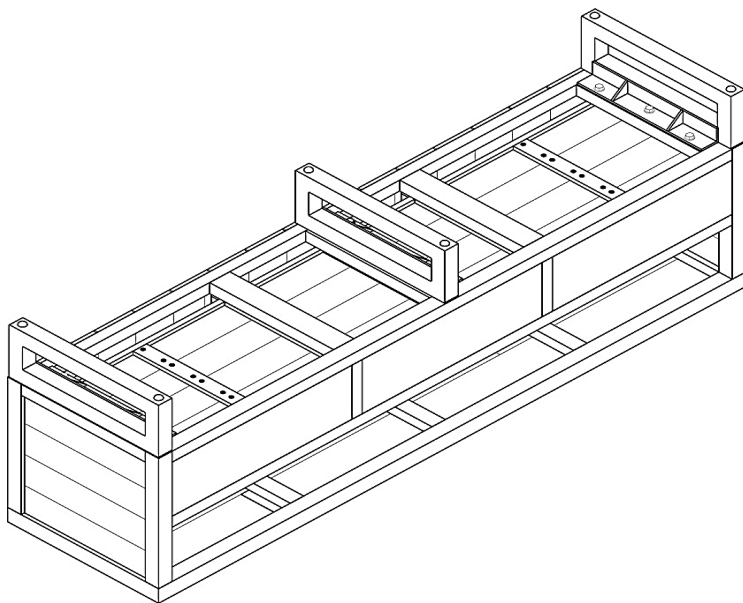
Assembly requires two adults.




*Lay all parts on a blanket to prevent scratching.
Carefully lift each part*

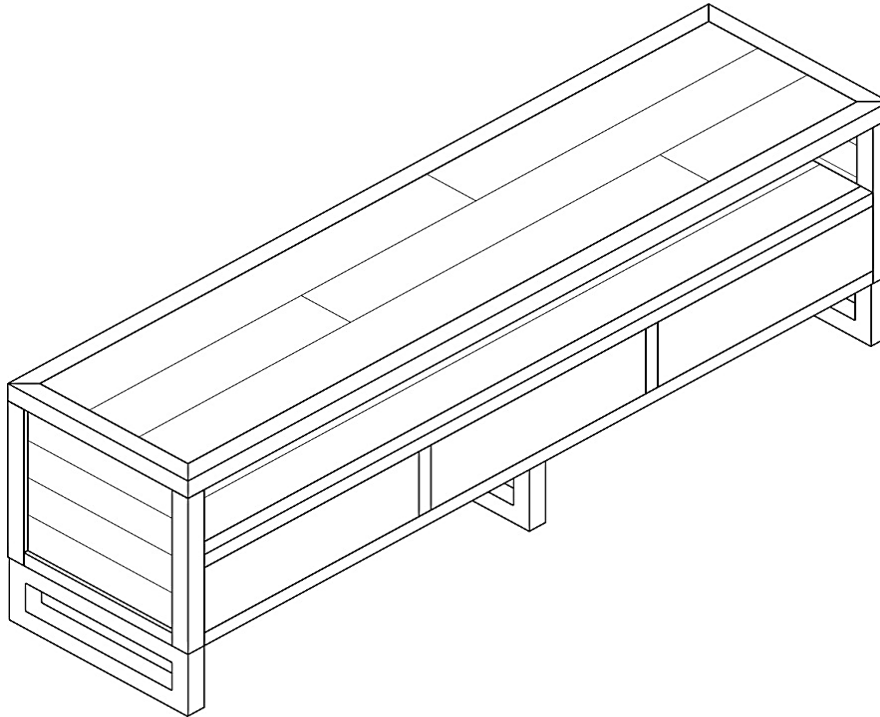


STEP 1 Attach the legs using bolt (A) and washer (B).

STEP 2 Tightening all bolts by using ring spanner (C), do not use power tool.



HARDWARE			QUANTITY
A	BOLT Φ 10 x 20		9
B	WASHER Φ 11 x 20 x 1.8		9
C	RING SPANNER K17 x 25 x 135		1



STEP 3 Carefully turn the table over on to its feet, and fully tighten all bolts.