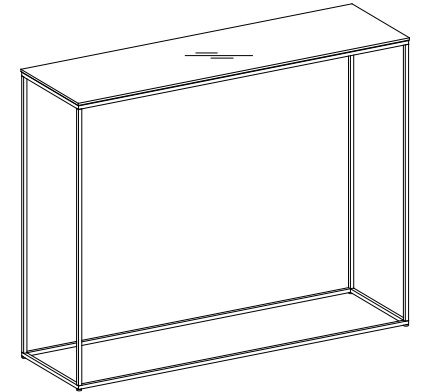



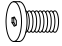



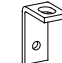

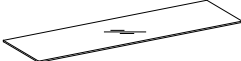

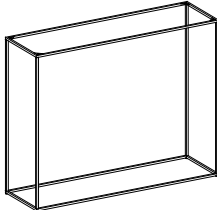


Assembly Instructions for item: 20180036

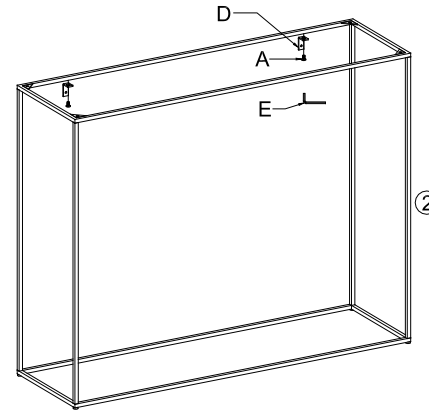
Safety warning: If you don't understand these direction or have any doubt about the safety of installation, check carefully to make sure that there are no missing or defective parts. Our customer service representatives can quickly assist you with installation question and missing or damage parts. Replacement parts for products purchase through authorized dealer will be shipped directly to you. Never use defective parts. Improper installation may cause damage or serious damage or serious injury.

Thank you for choosing Martinsen Furniture.

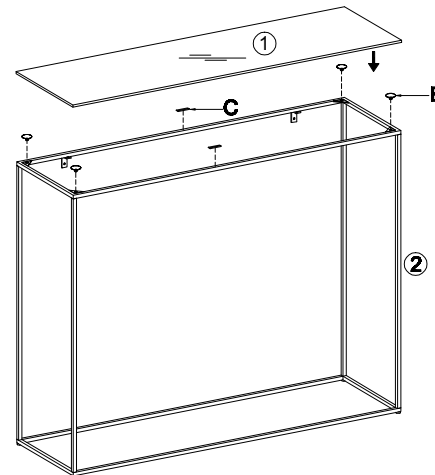


	SKETCH	QTY	
A		2	DO NOT USE EL DRILL
B		4	
C		2	
D		2	
E		1	
①		1	 10min
②		1	

Step 1



Step 2



Step 3

IMPORTANT! The screw supplied together with the anti-topple bracket is to be used only for fixing the anti-topple bracket to the furniture. Some products are fixed directly to the wall (without bracket) and for these no screws are included. In addition to this, you will need to choose a screw or fitting which is suitable for securing the bracket to the kind of walls you have. If you are unsure about what type of screw to use contact your local hardware store.

