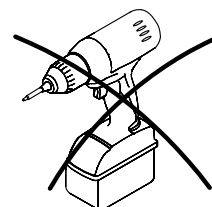
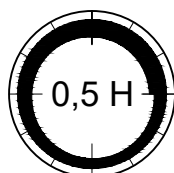
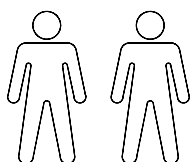
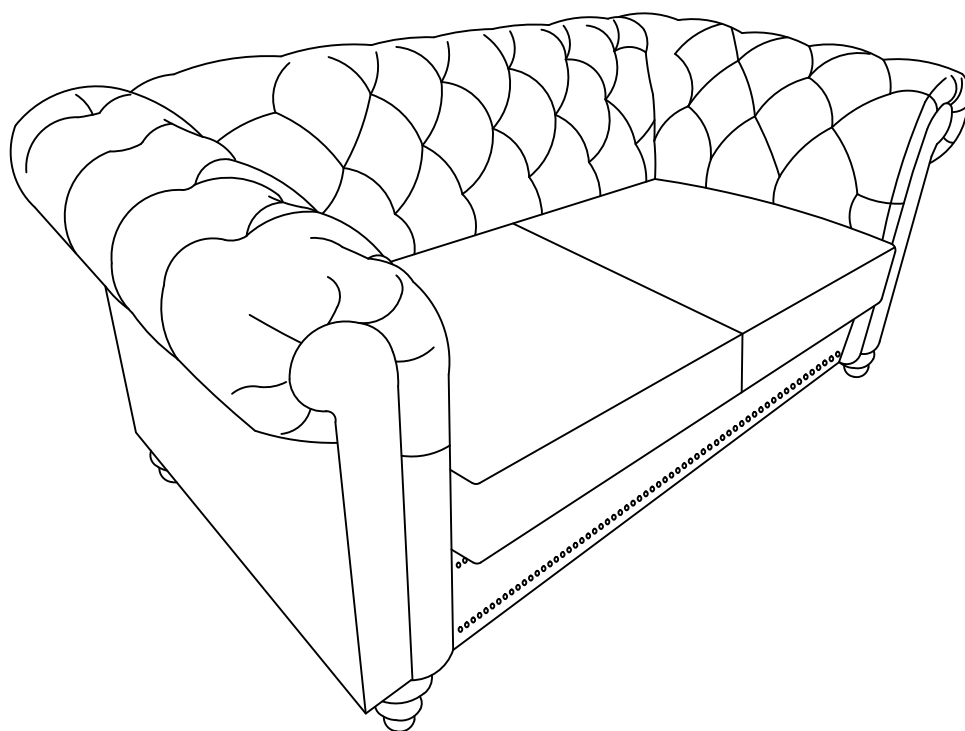
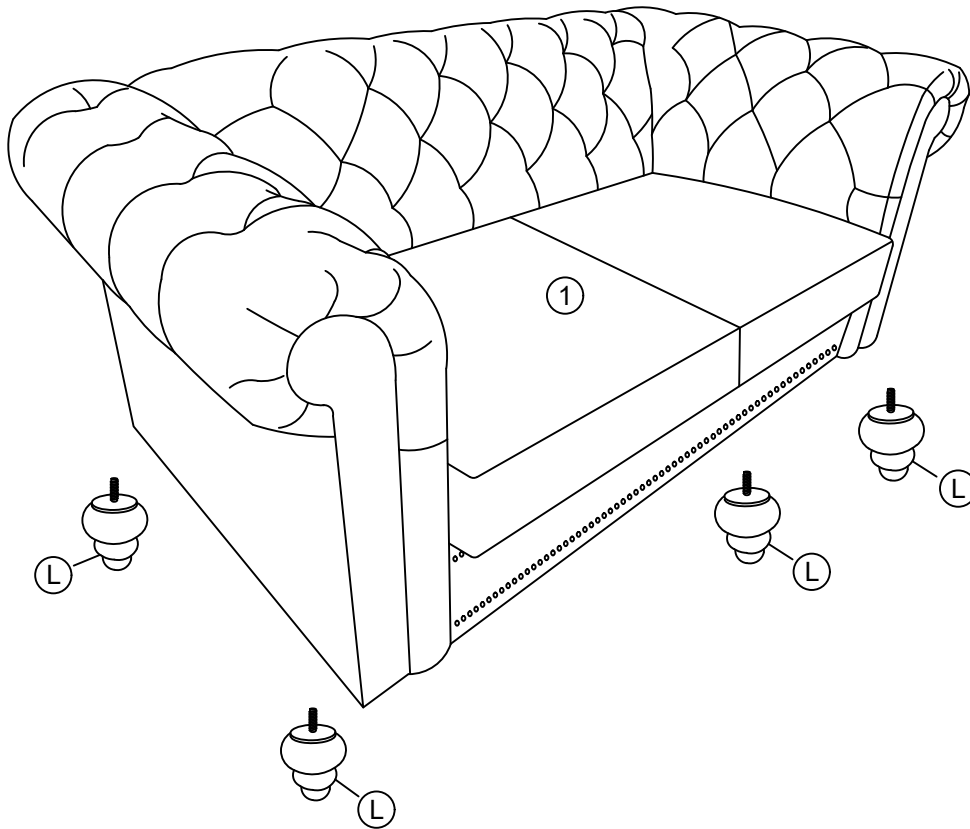
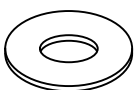



# CHARLIETOWN

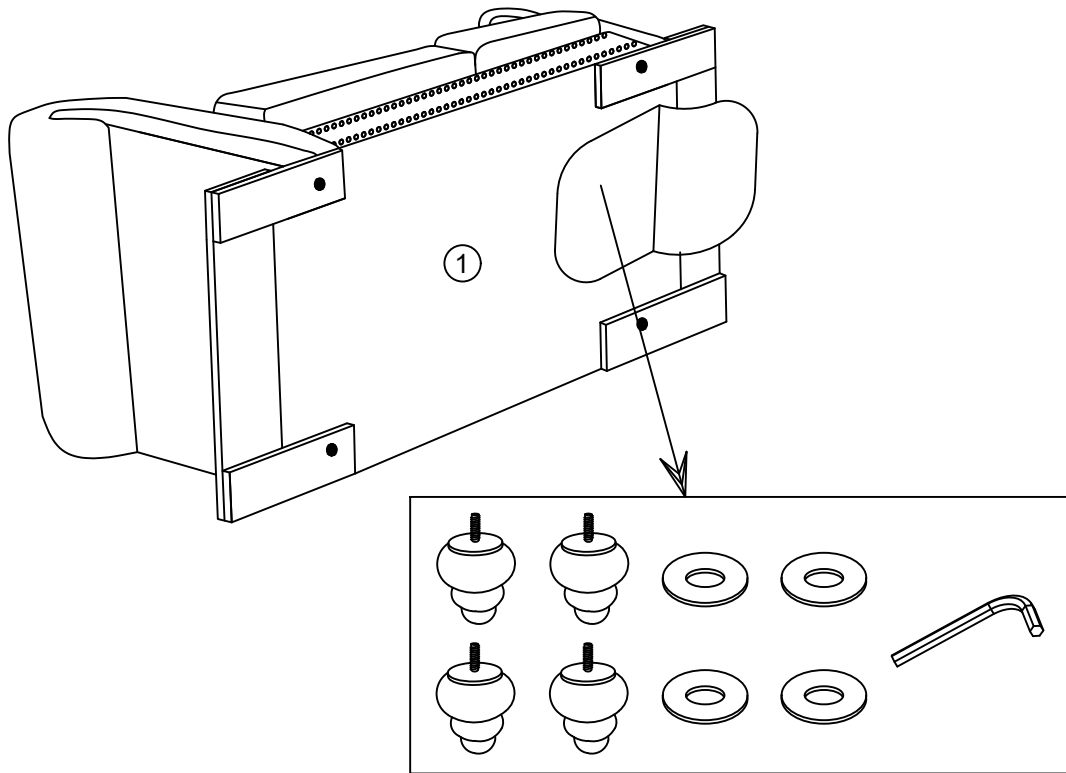


			✓
①	1	1640 x 890 x 645	
Ⓛ	4	Ø98 x 125	

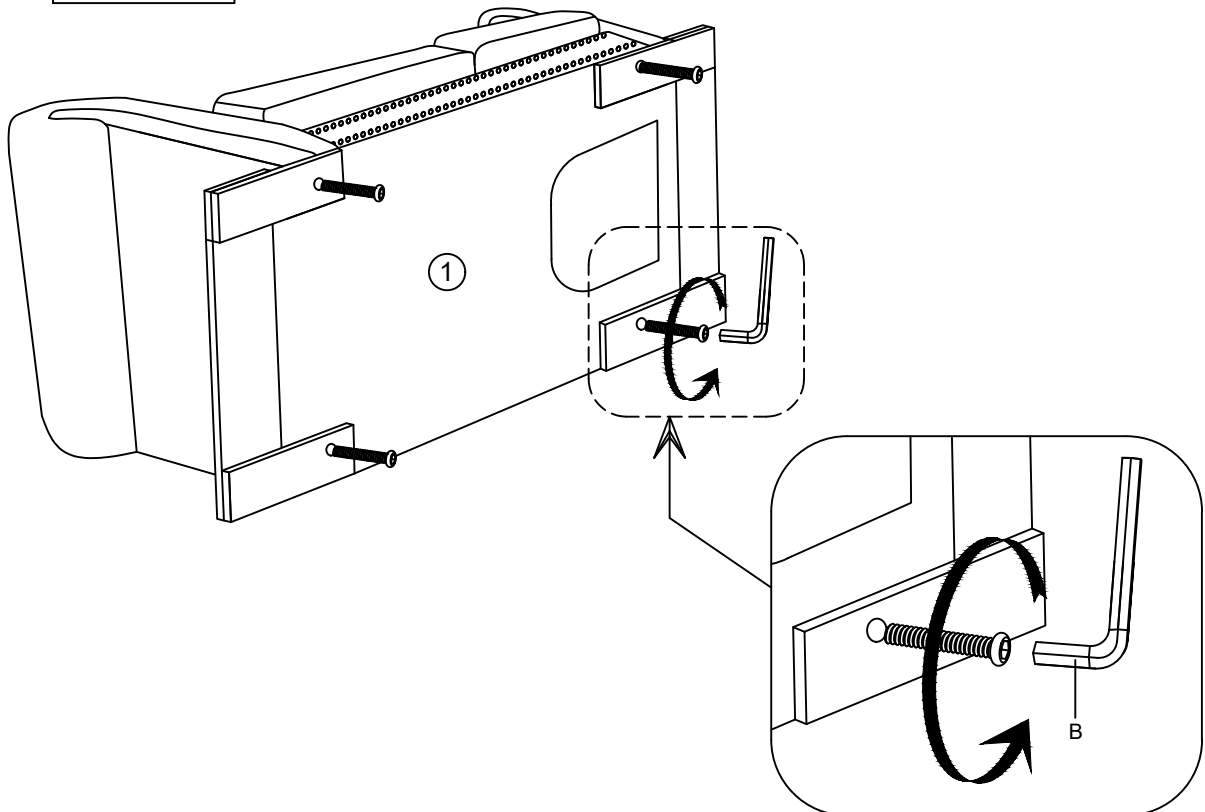
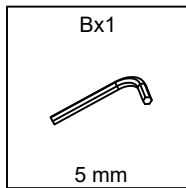


Ax4	Bx1
	
Ø9xØ48 mm	5 mm

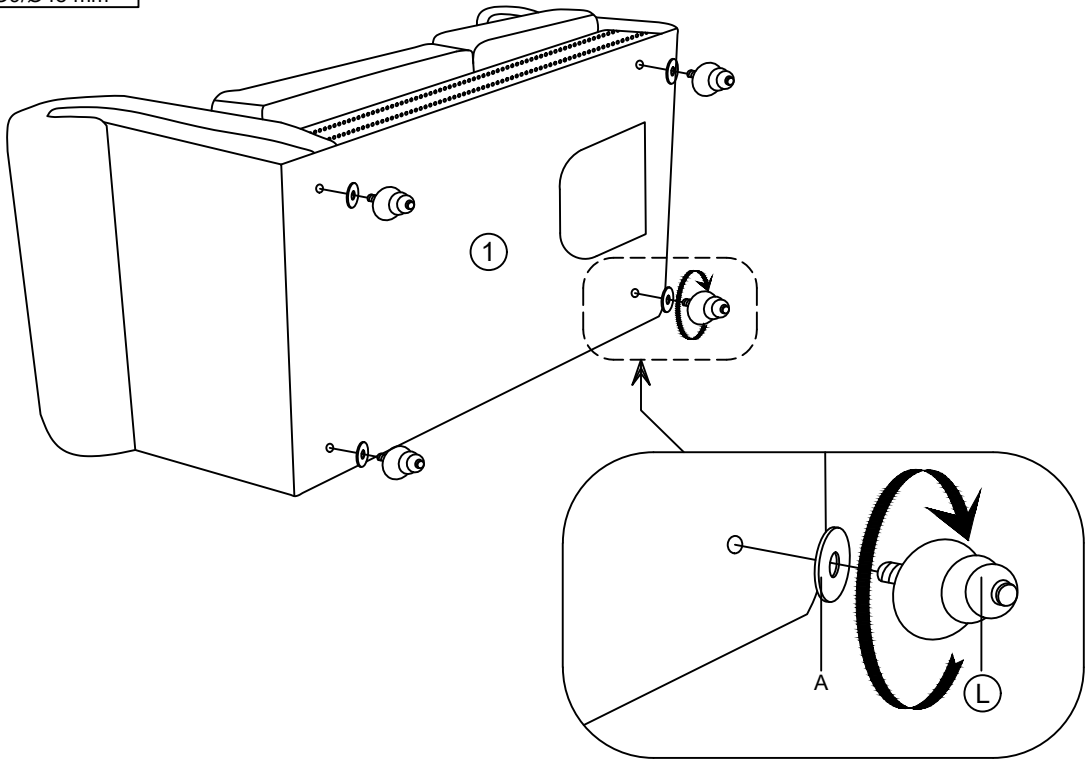
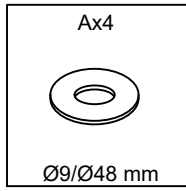
# 1



# 2



3



4

