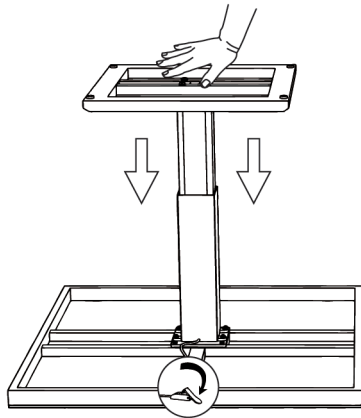
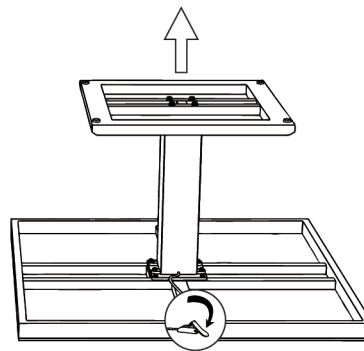




In order to get the best smooth of table double lifting system, **Do not tighten the screws at STEP 2 and STEP 3 when you first assembly it.**



Lifting Position



Lowering Position

Do several times lifting and lowering when the table in upside down position.

After that please tighten all the screws **at Lowering Position.**

With the help of another person, carefully turn the table in the upright position.

Your table is now ready for use!