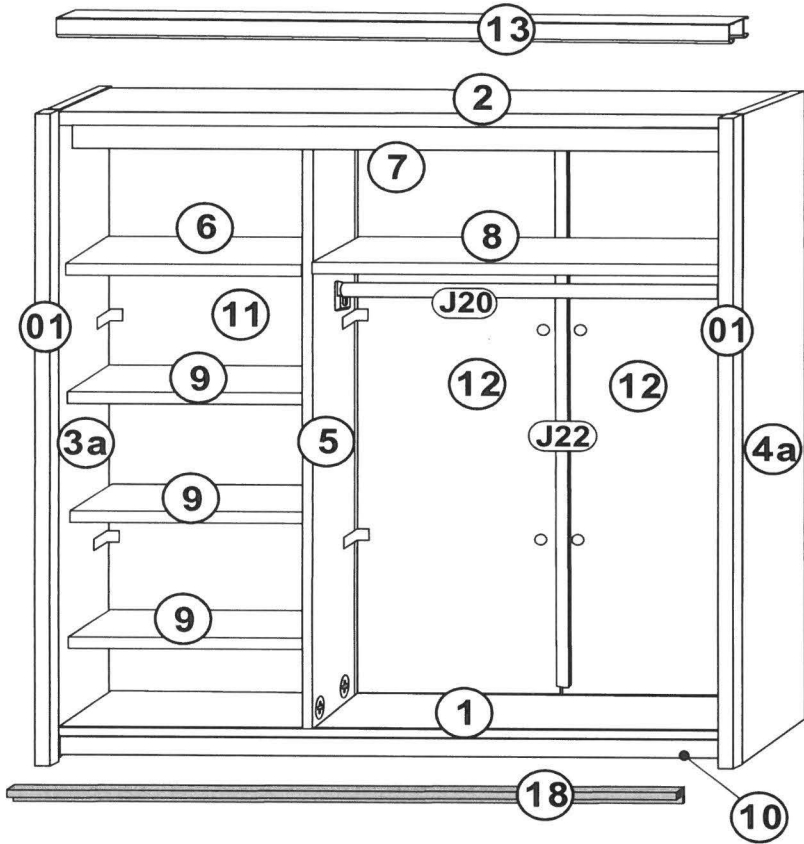
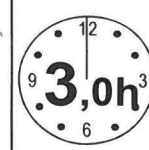
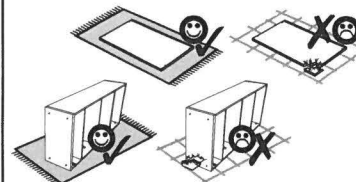
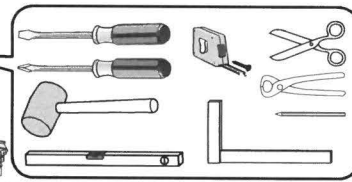
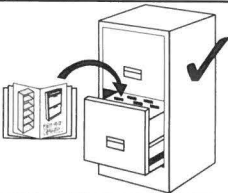
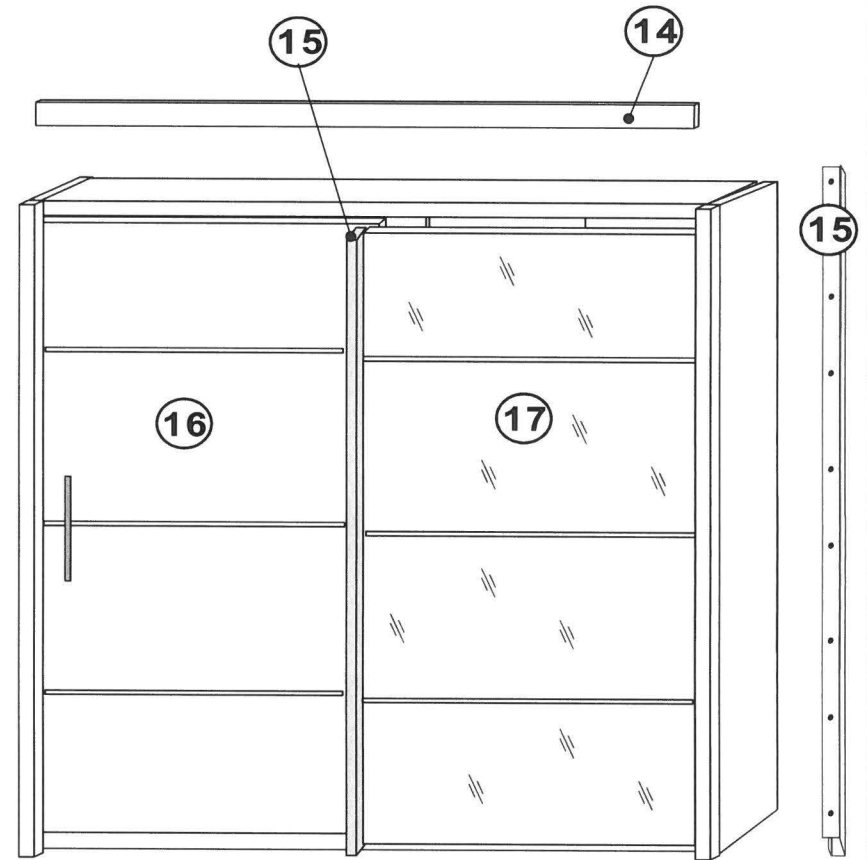


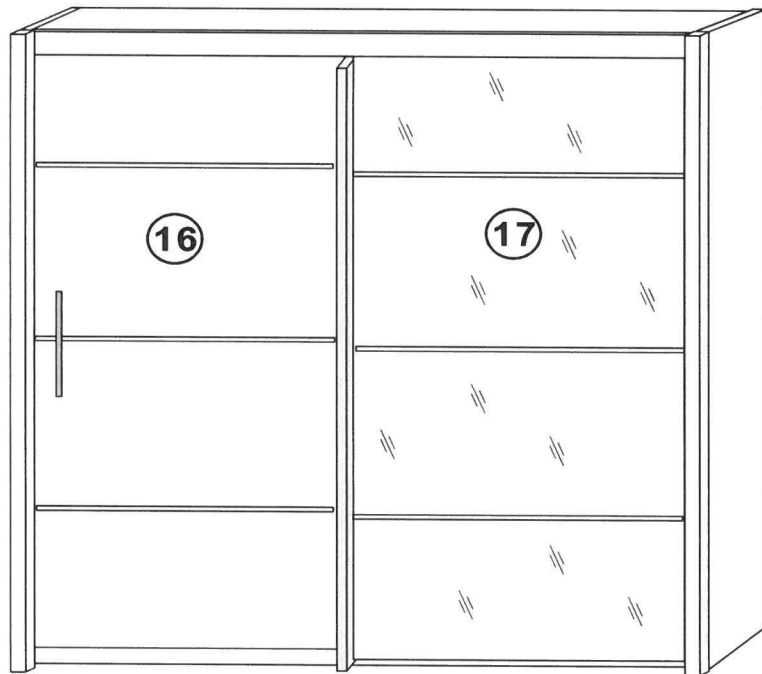
Option "a"



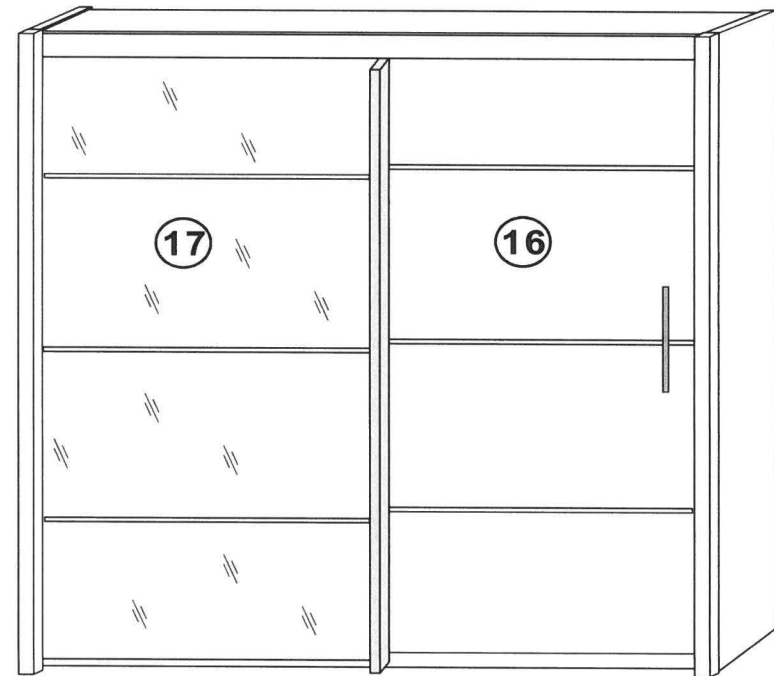
option "b"

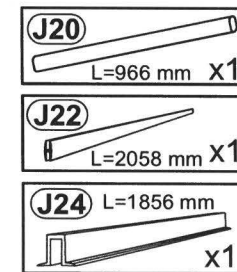
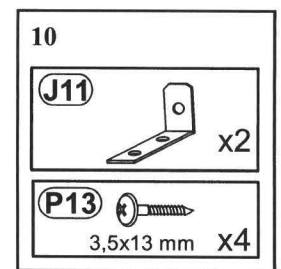
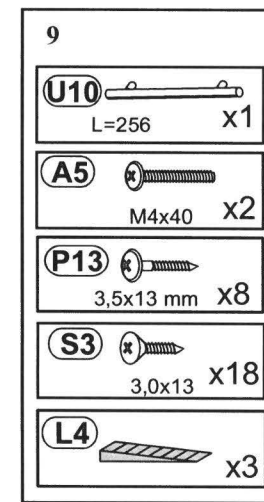
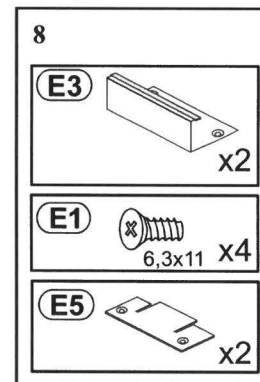
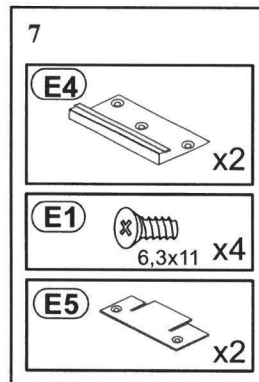
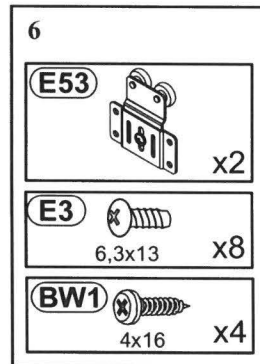
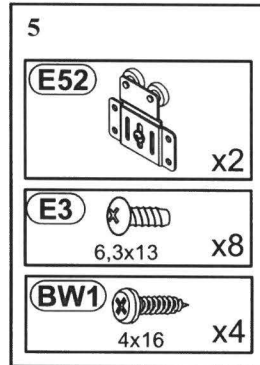
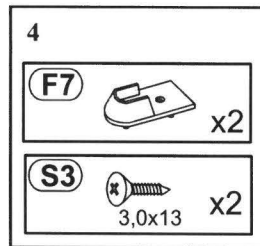
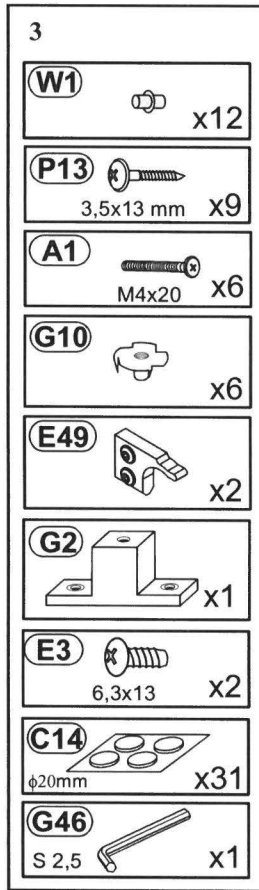
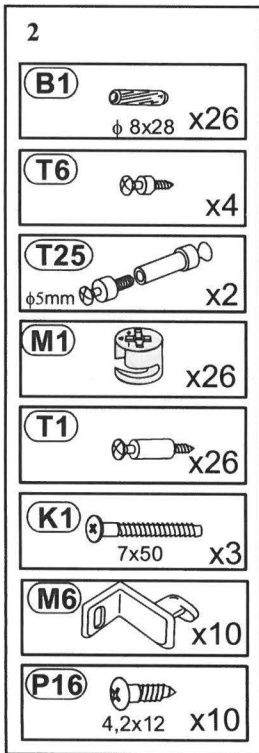
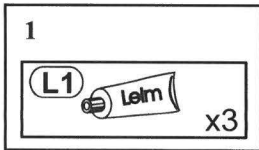


option "c"



option "d"



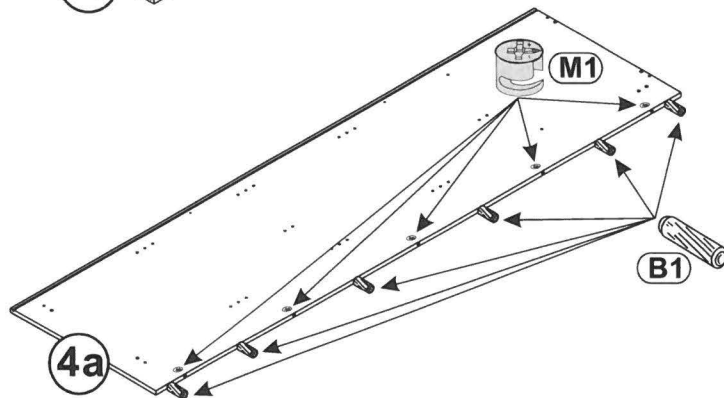
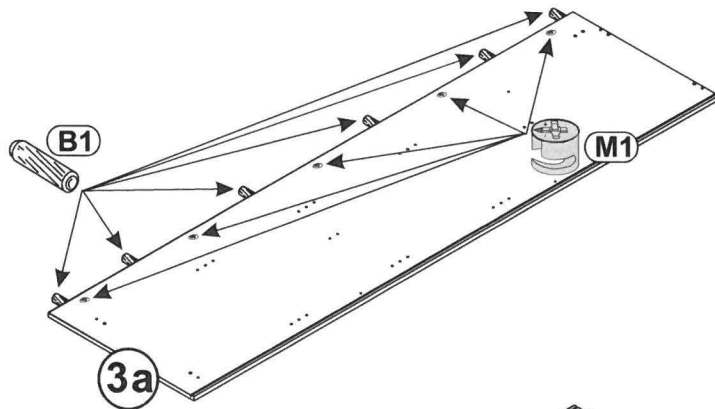
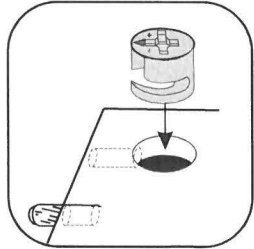
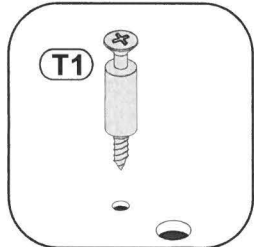
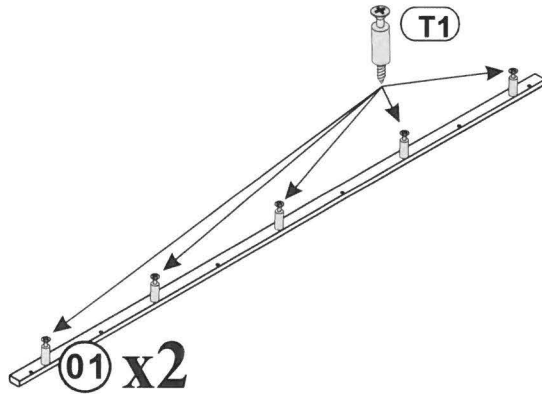


1

B1
φ 8x28 x12

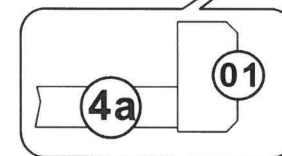
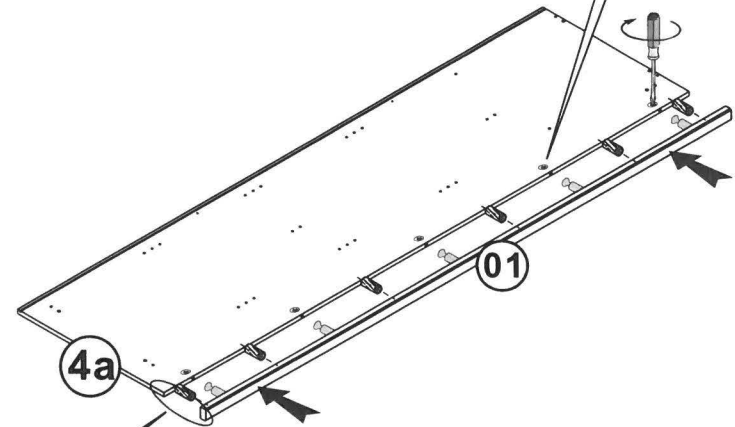
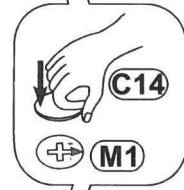
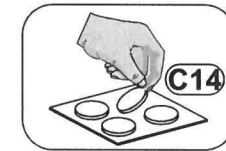
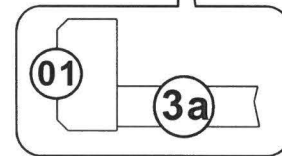
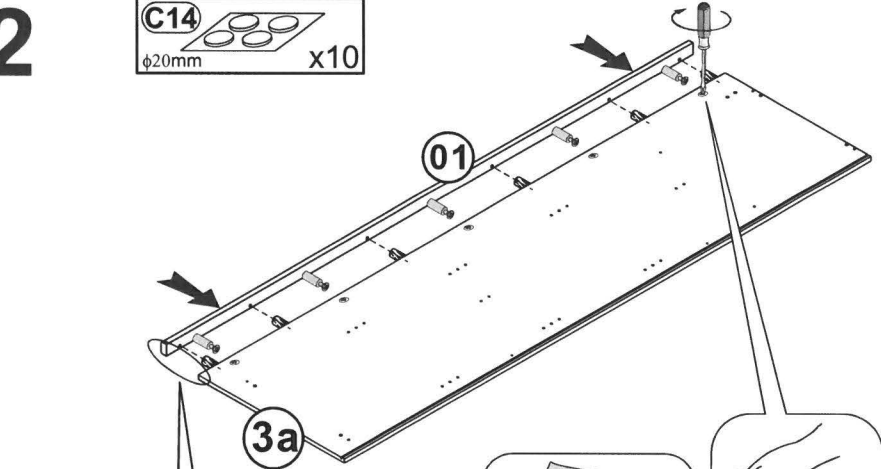
M1
x10

T1
x10



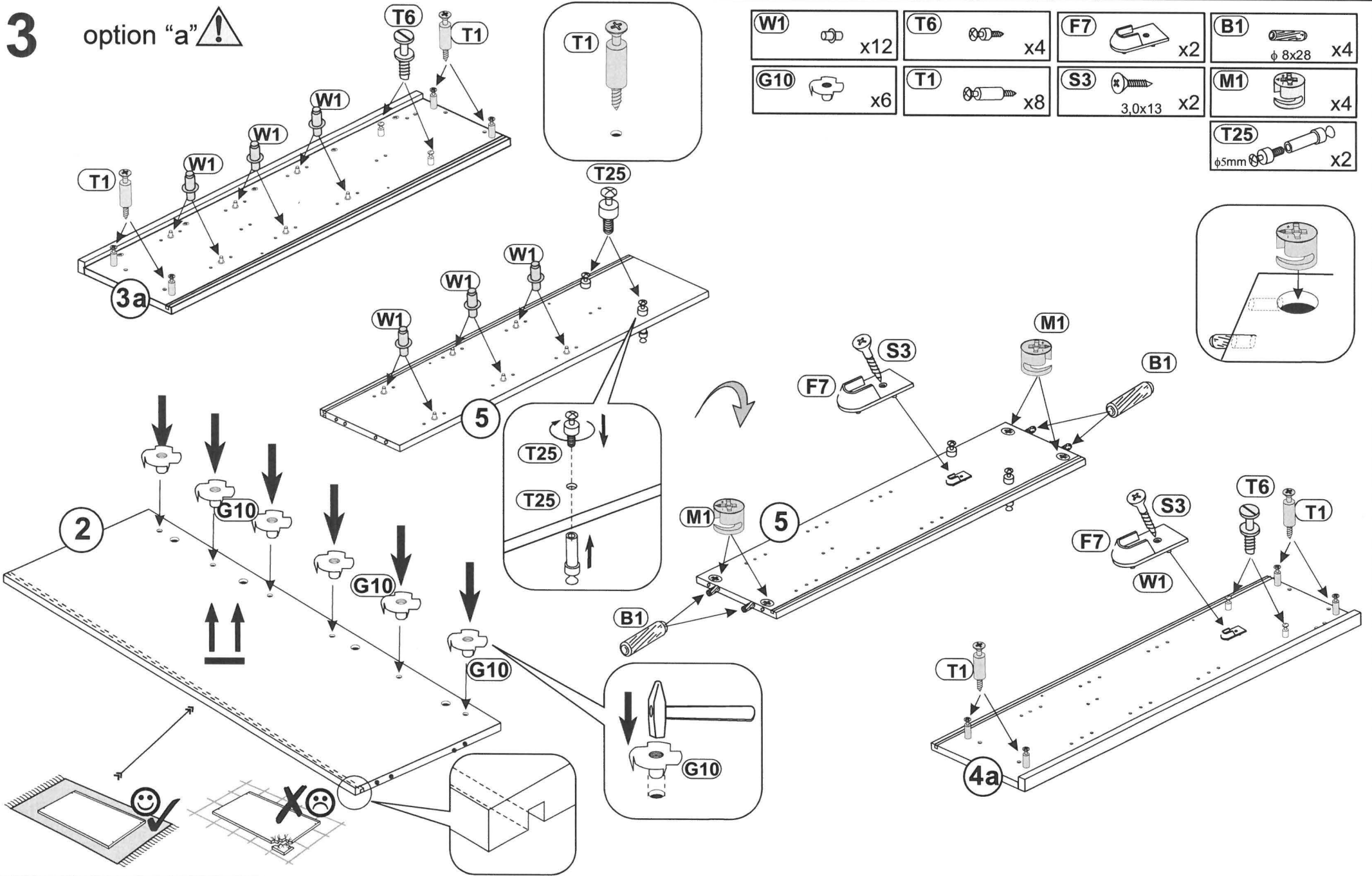
2










C14
φ20mm x10

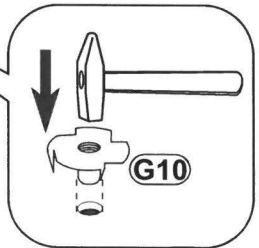
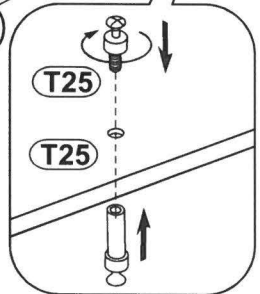
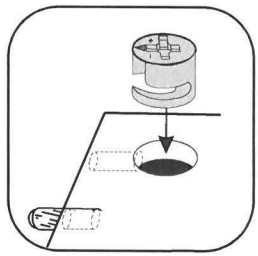


3

option "a" 

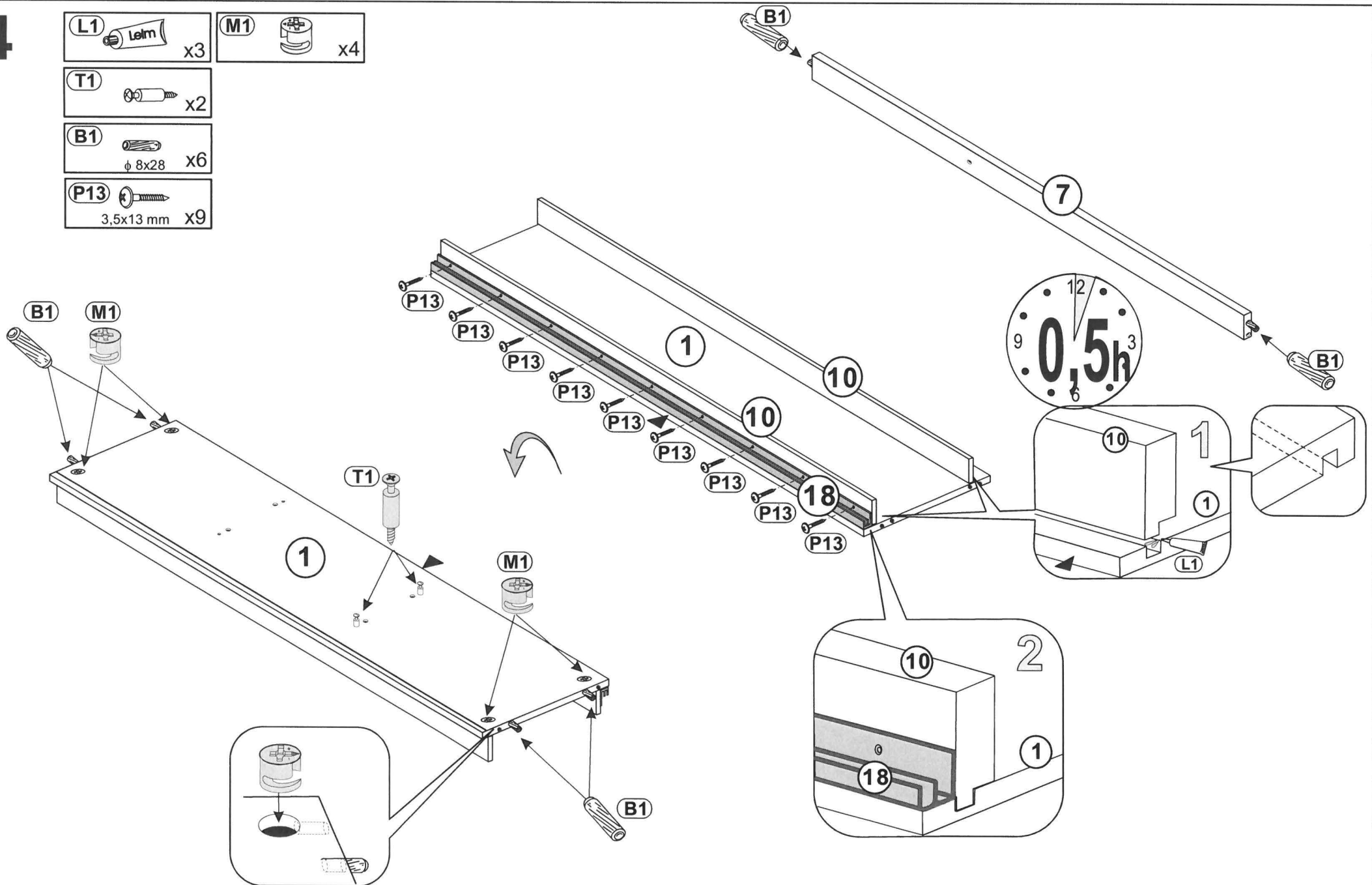


W1	 x12	T6	 x4	F7	 x2	B1	 ϕ 8x28 x4
G10	 x6	T1	 x8	S3	 3,0x13 x2	M1	 x4
						T25	 ϕ 5mm x2

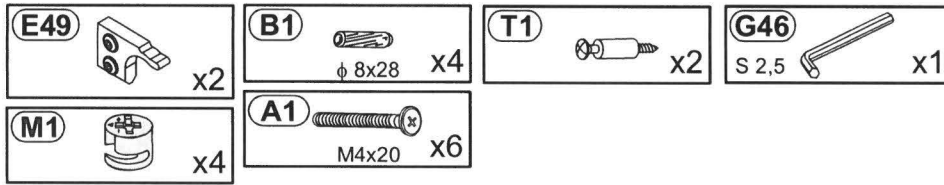


4

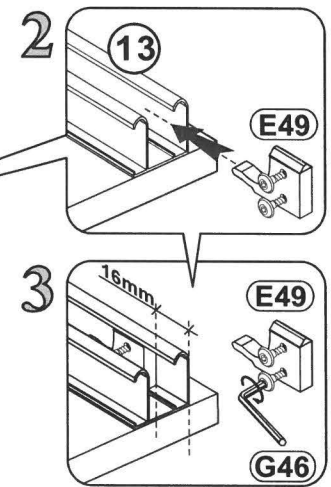
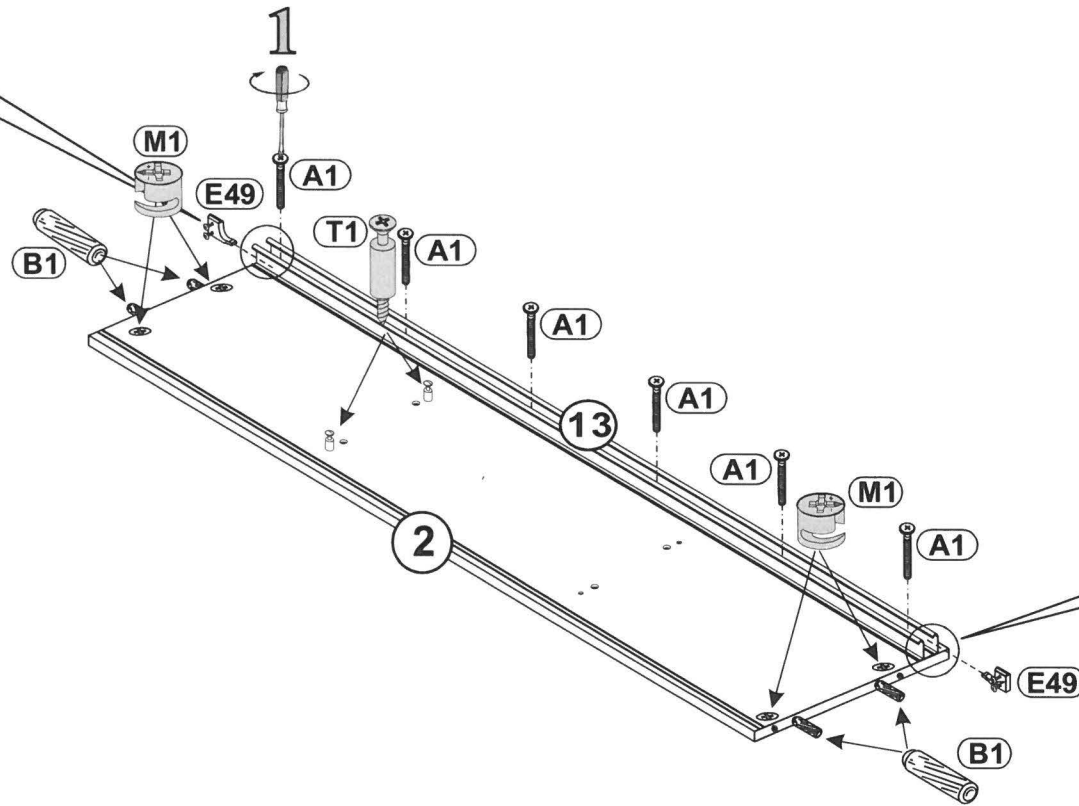
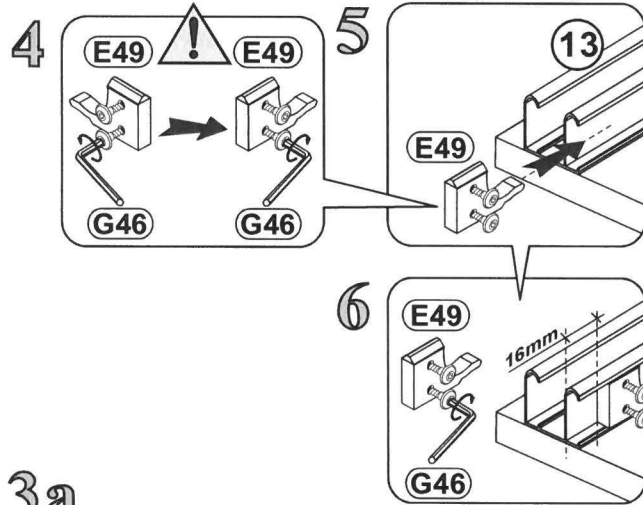
- L1** x3
- M1** x4
- T1** x2
- B1** ϕ 8x28 x6
- P13** 3,5x13 mm x9



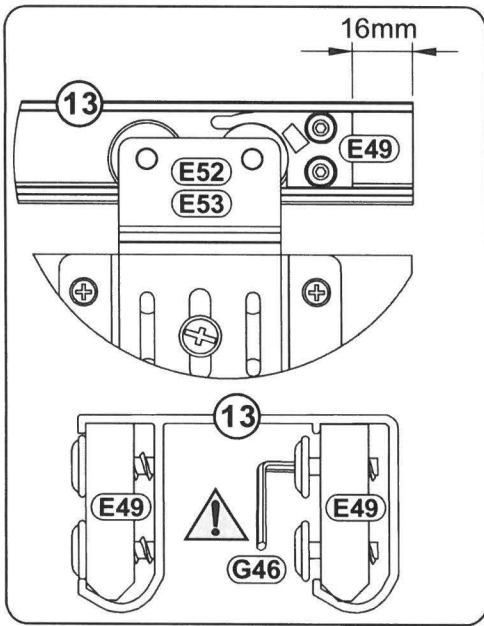
5a



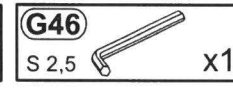
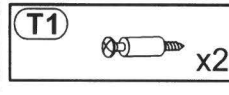
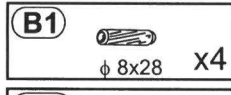
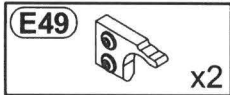
option "c" 



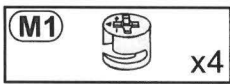
3a



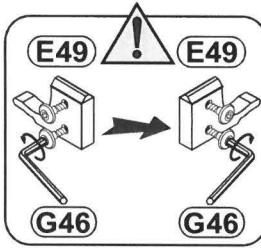
5b



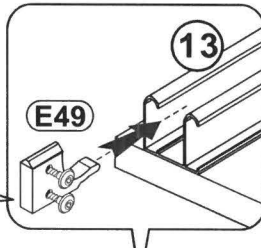
option "d"



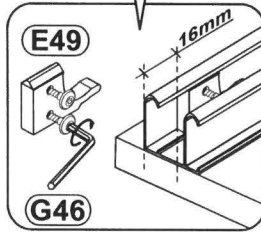
4



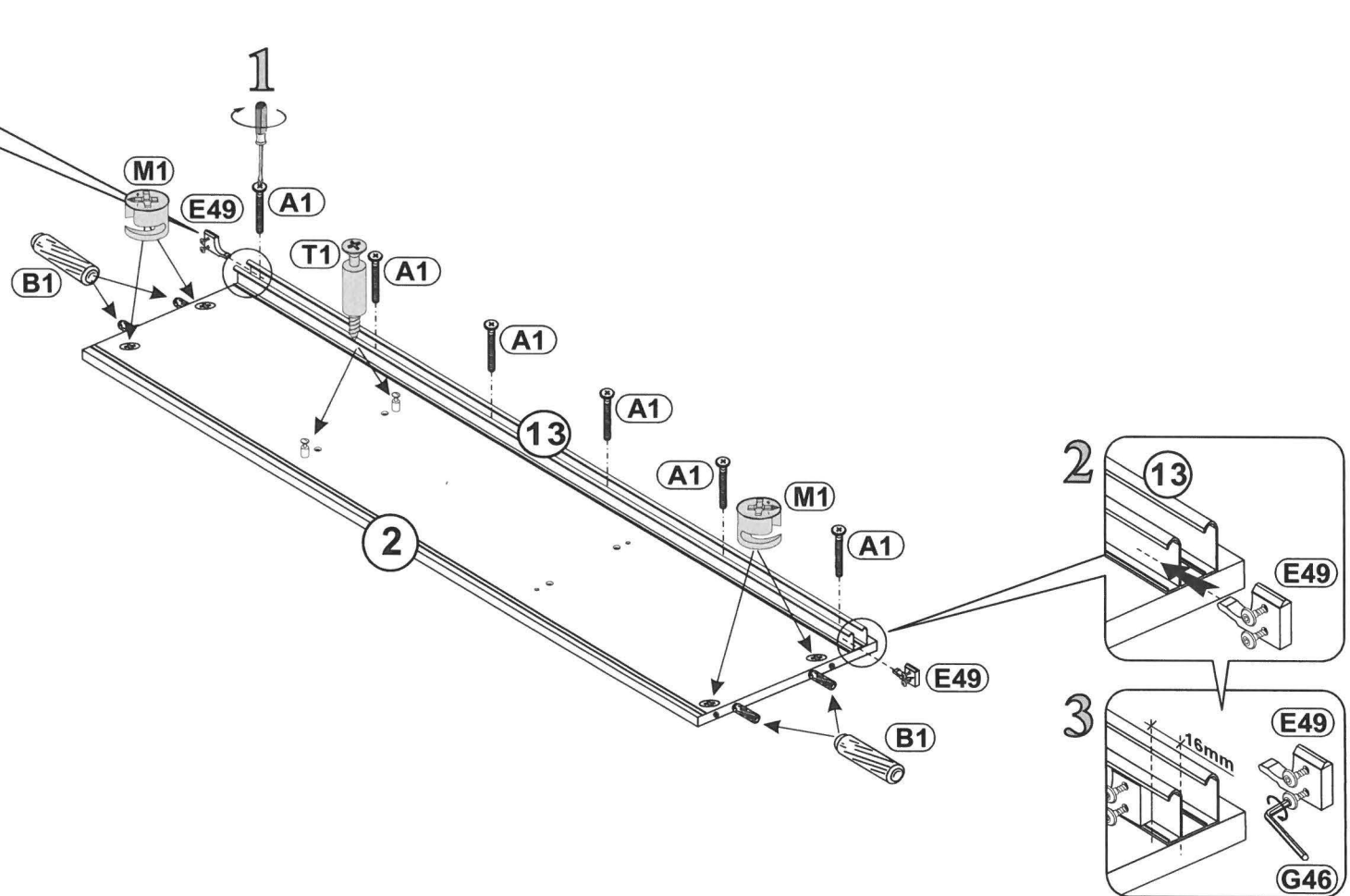
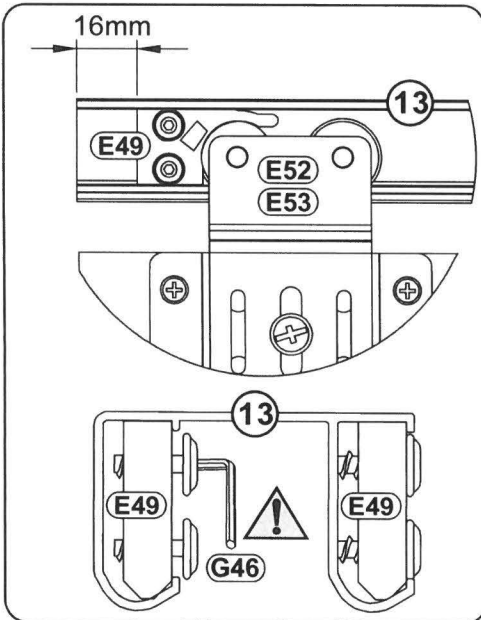
5



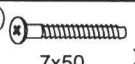
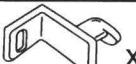

6

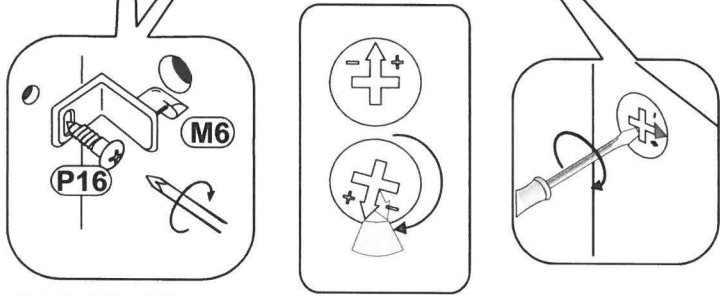
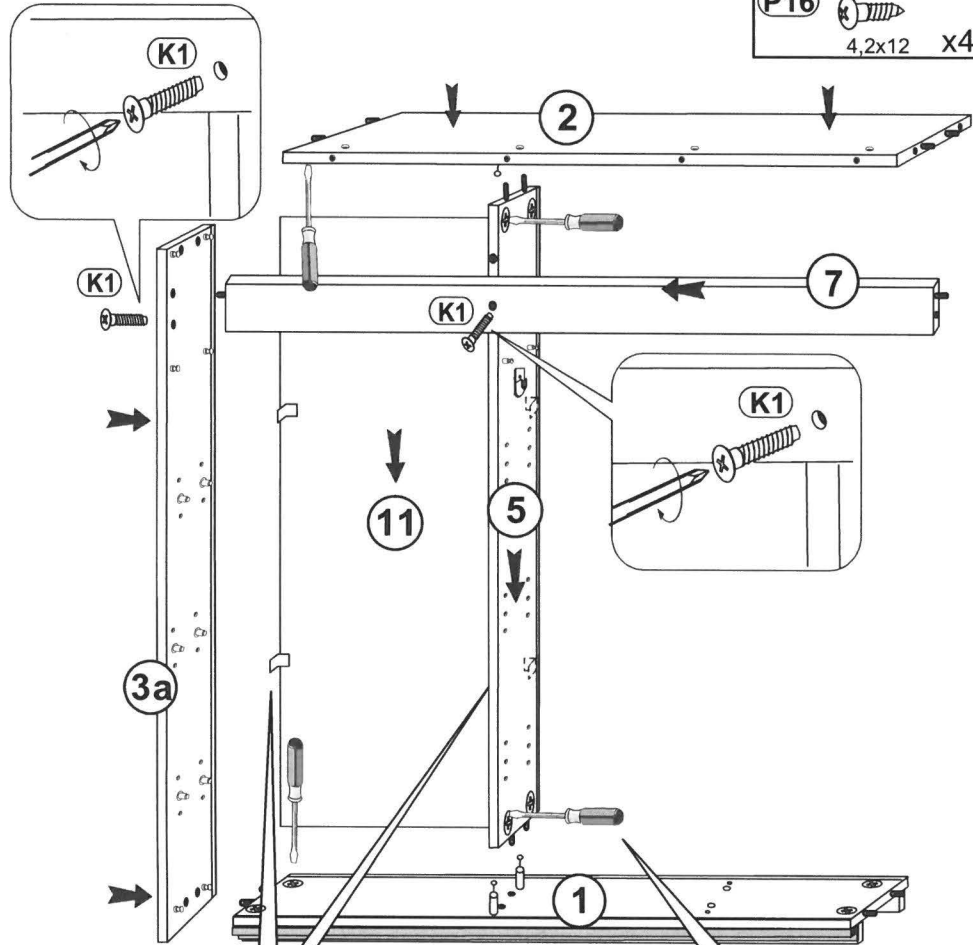


6a

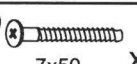
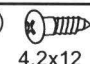




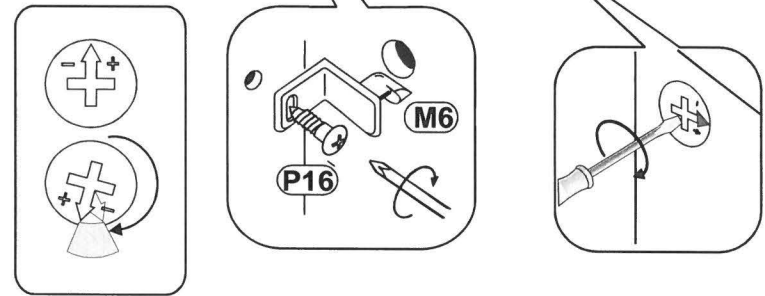
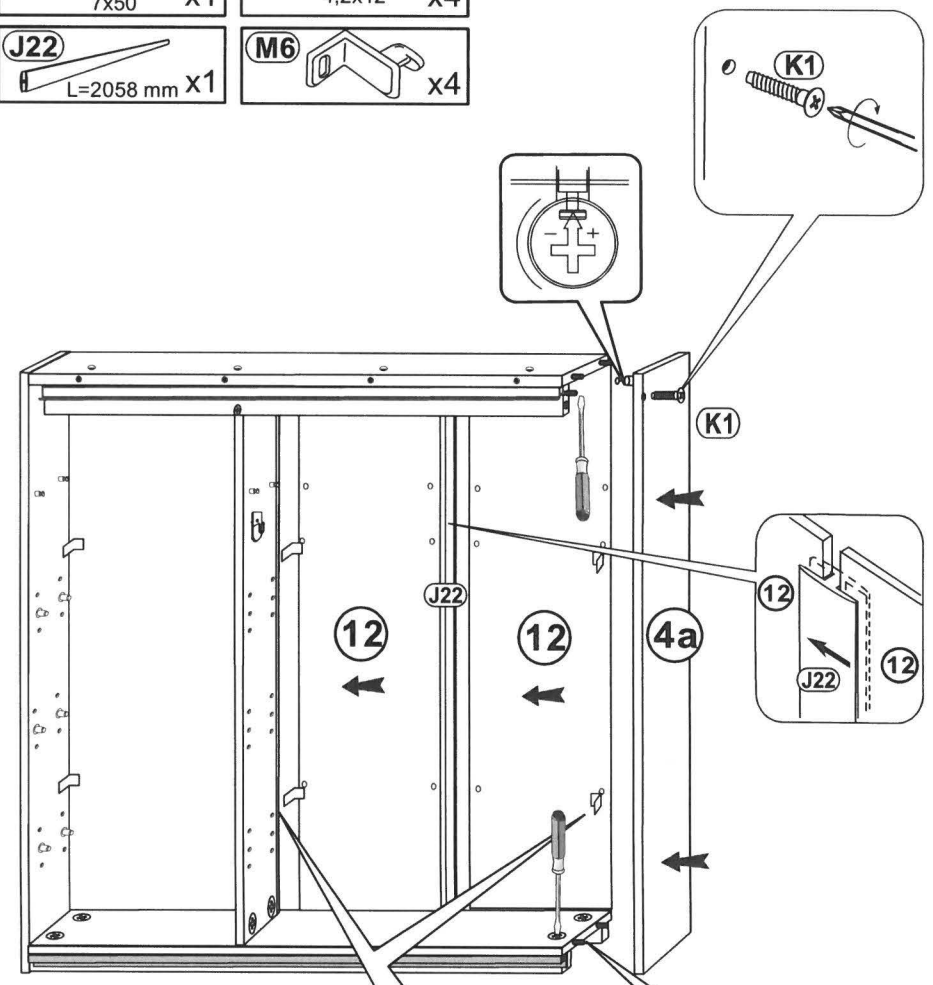
6 option "a"

- K1**  7x50 x2
- M6**  x4
- P16**  4,2x12 x4

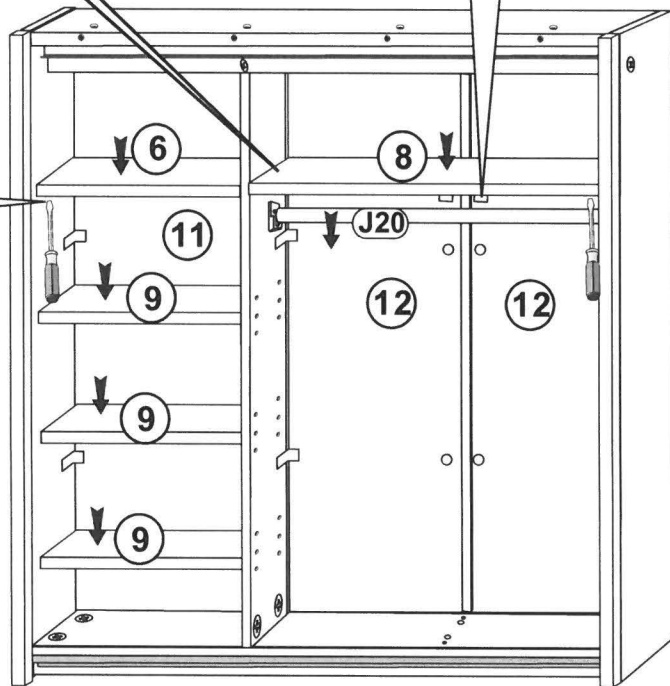
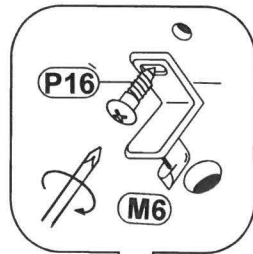
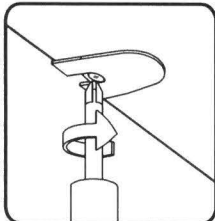
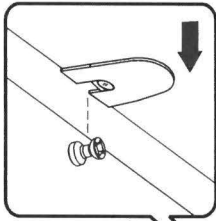
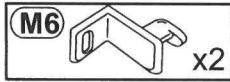
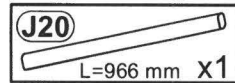
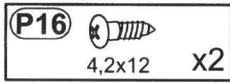


7

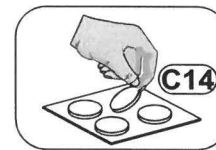
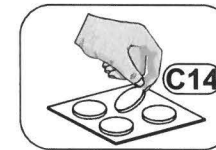
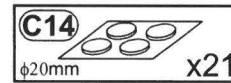
- K1**  7x50 x1
- P16**  4,2x12 x4
- J22**  L=2058 mm X1
- M6**  x4



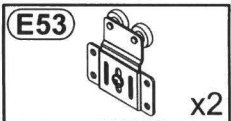
8



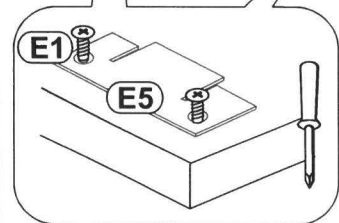
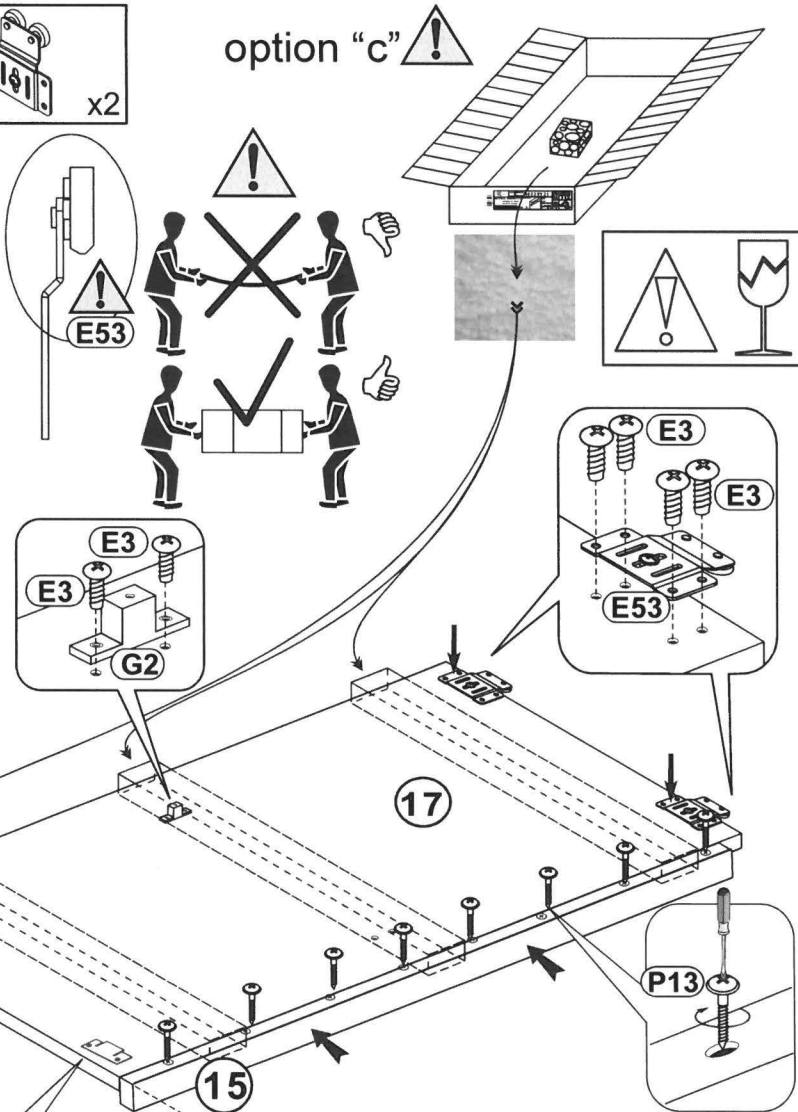
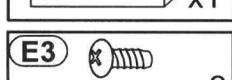
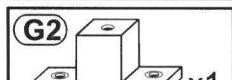
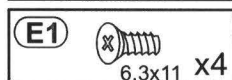
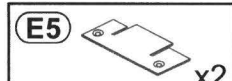
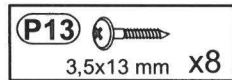
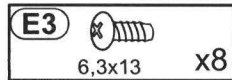
9



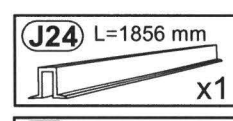
10



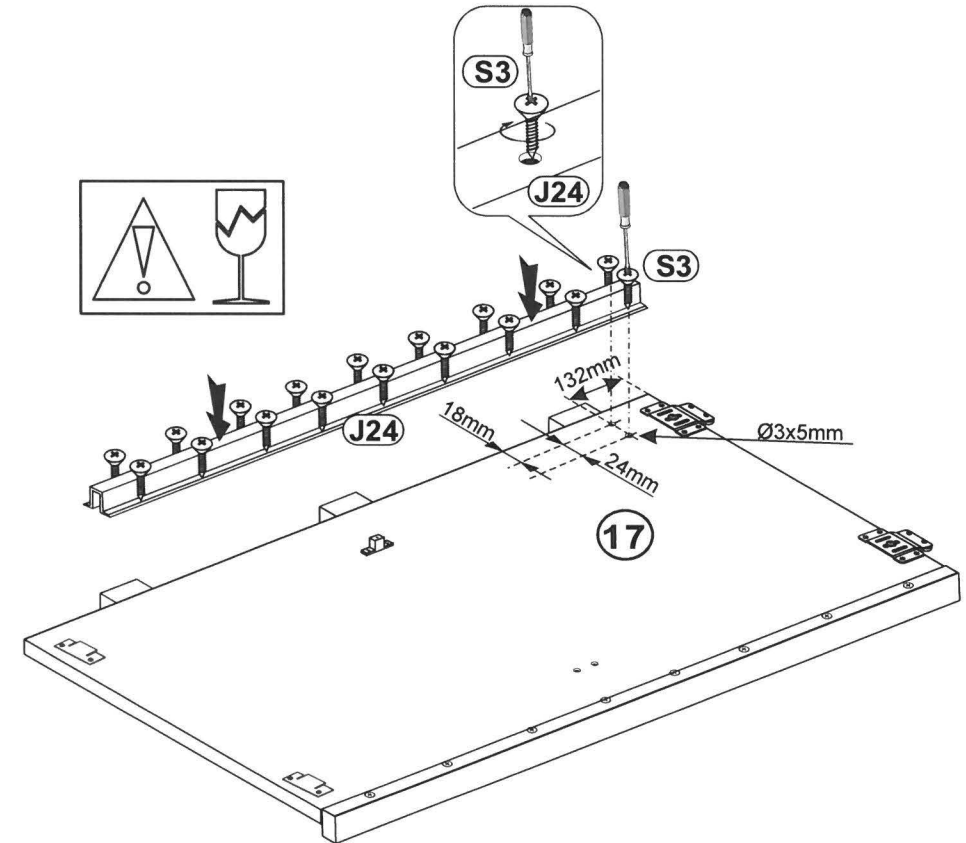
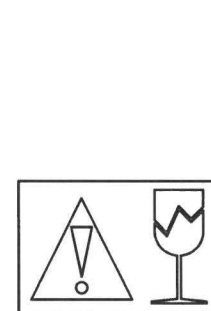
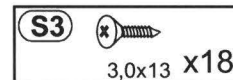
option "c"



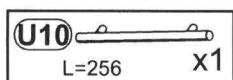
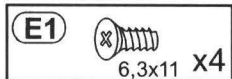
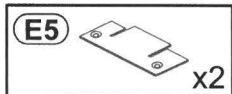
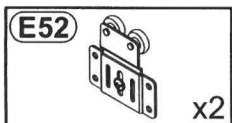
11



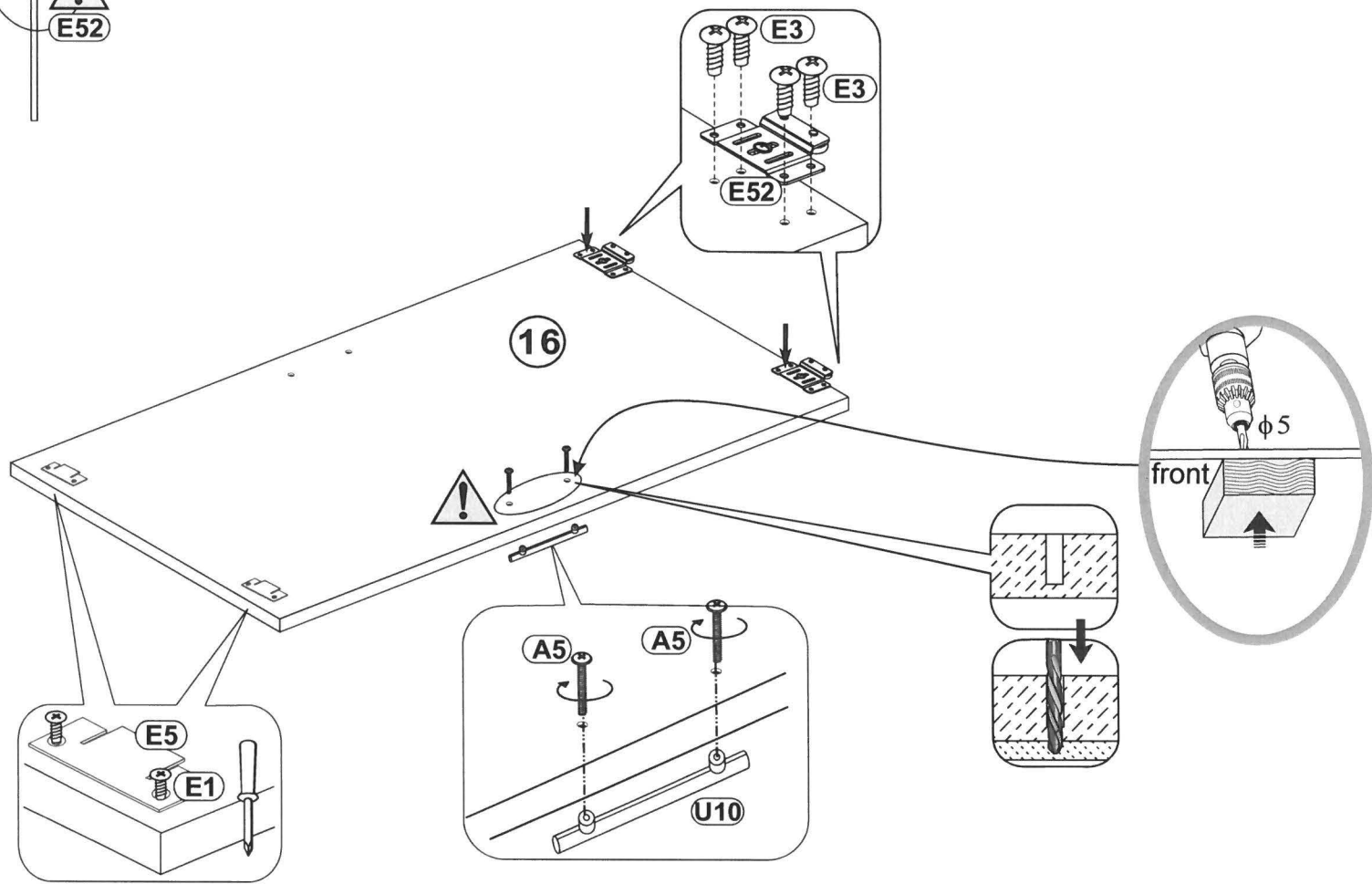
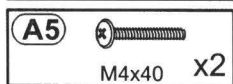
option "c"



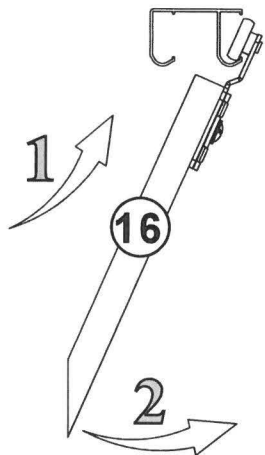
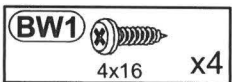
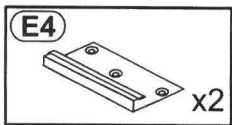
10



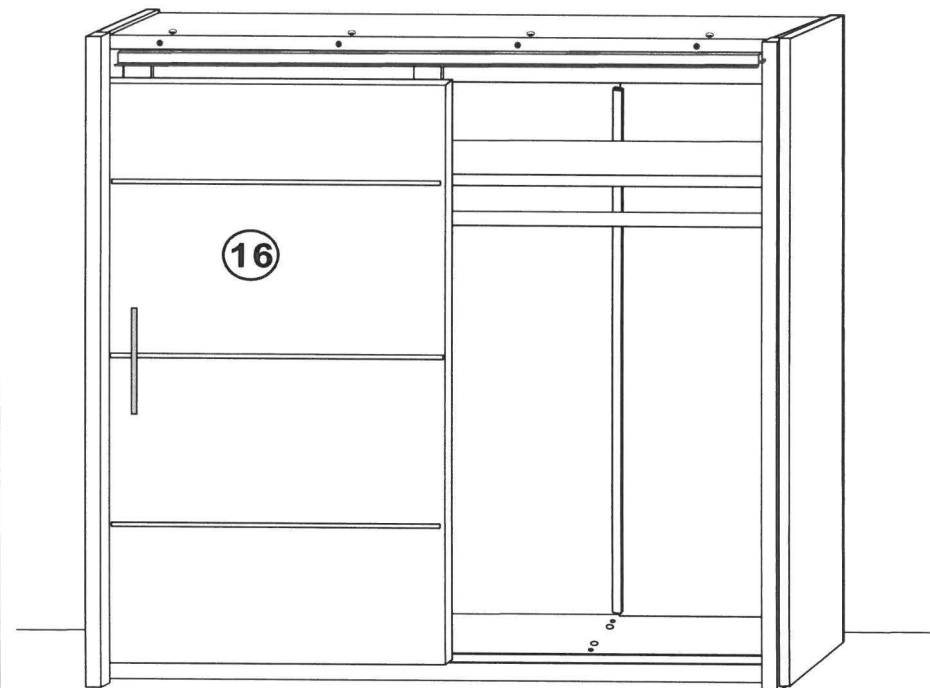
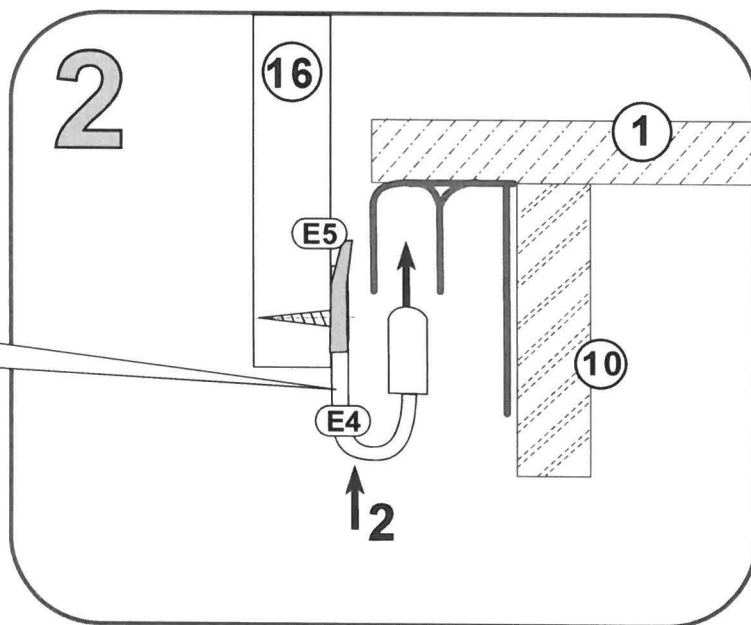
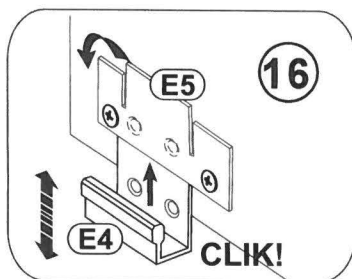
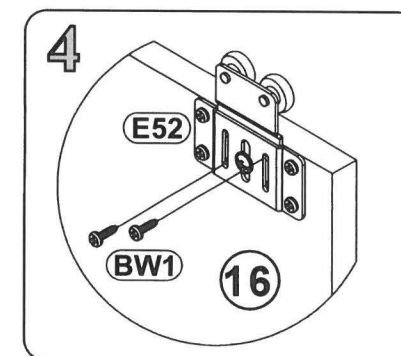
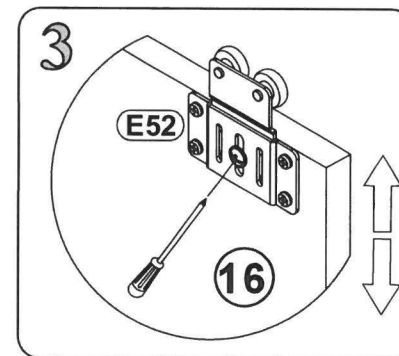
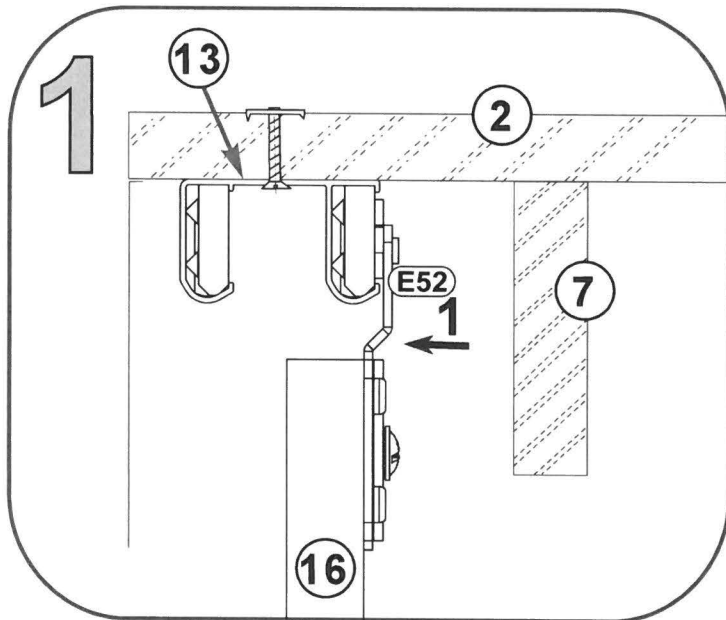
option "c"



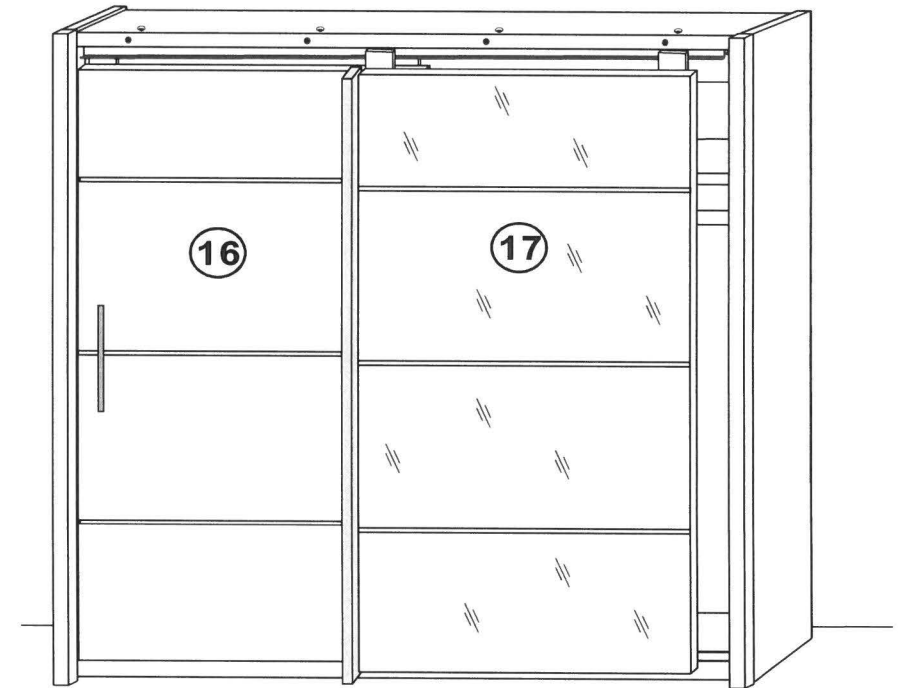
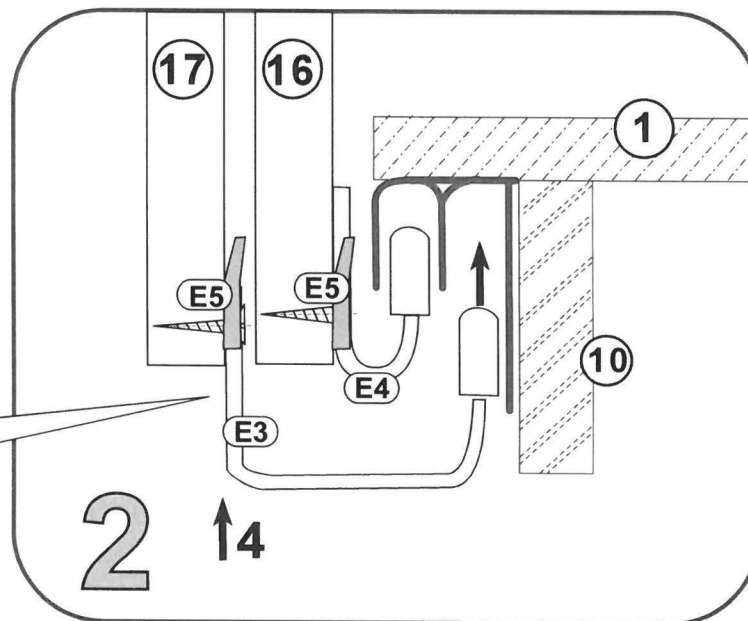
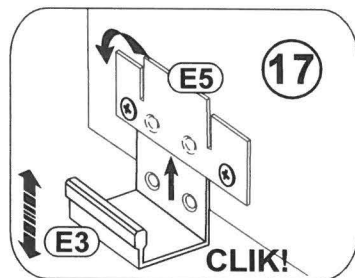
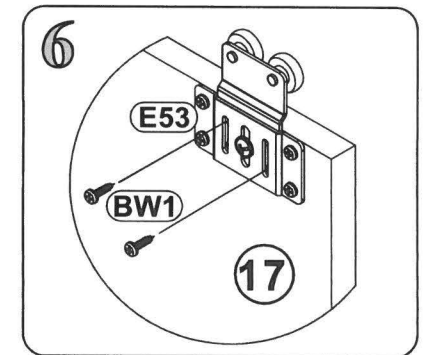
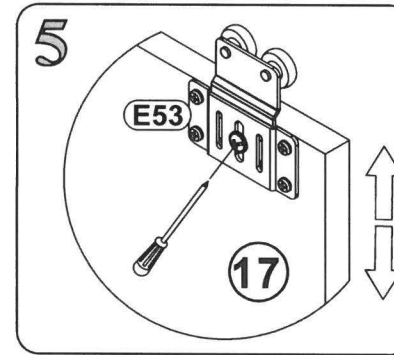
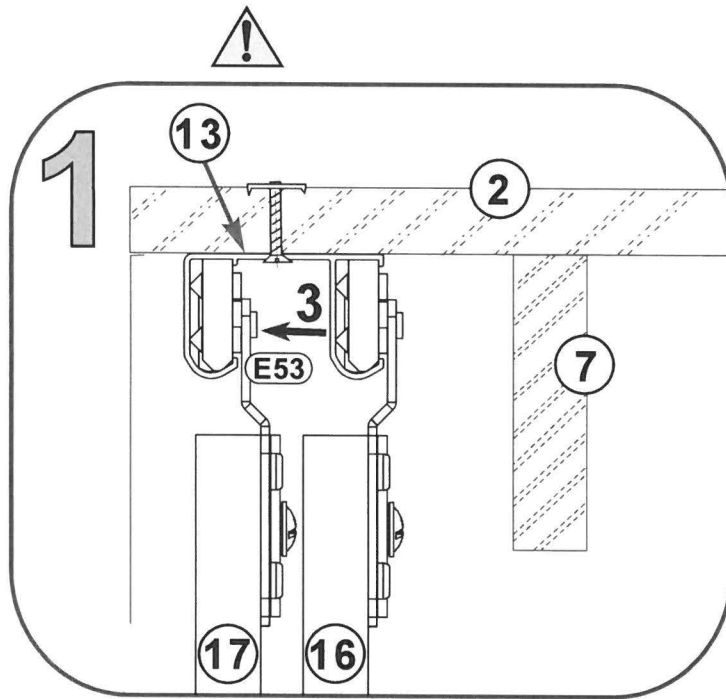
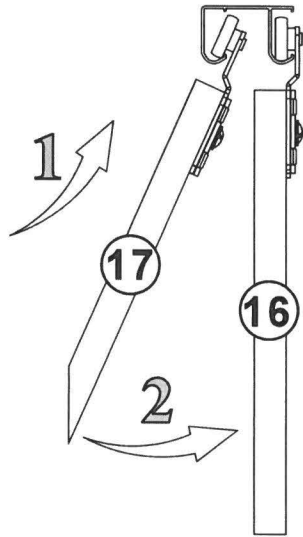
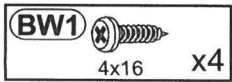
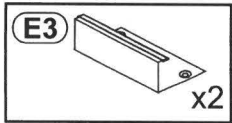
11



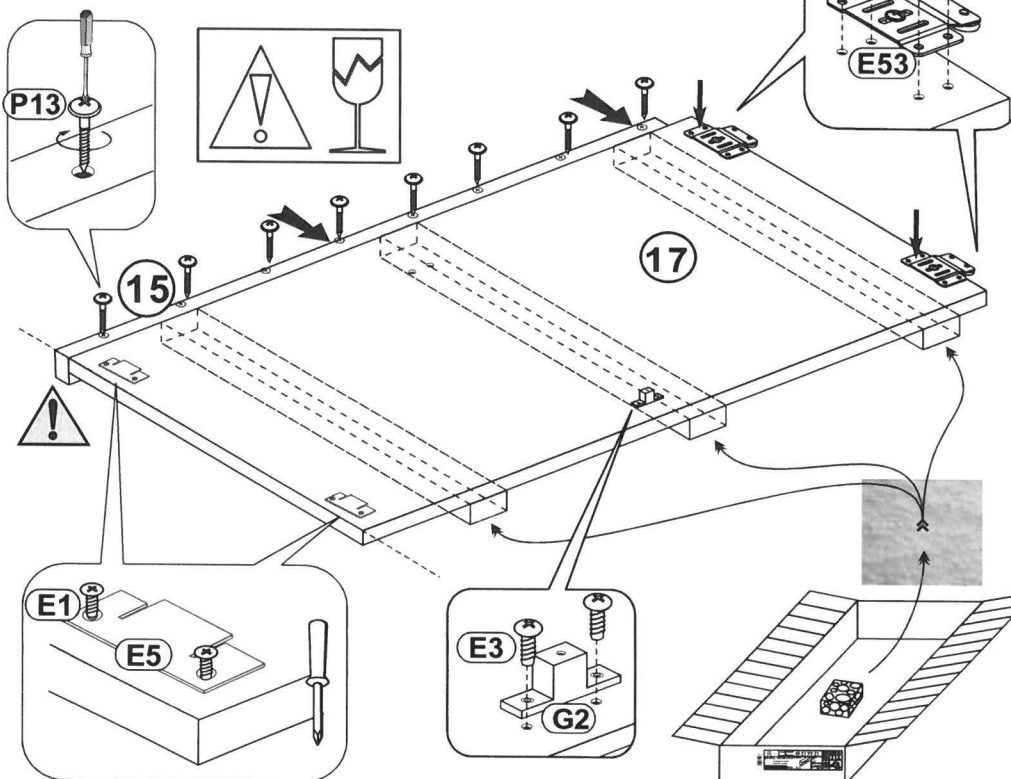
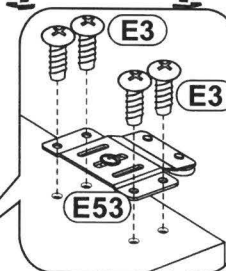
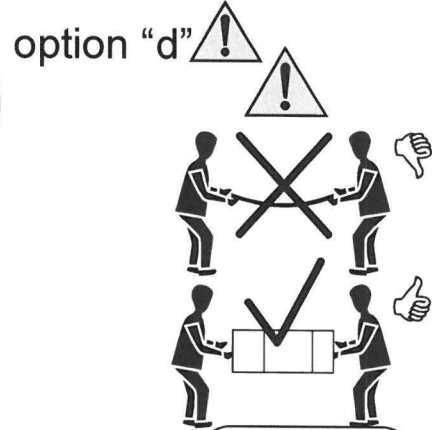
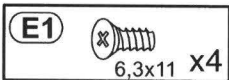
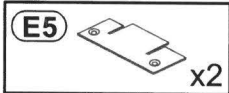
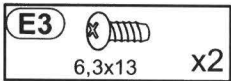
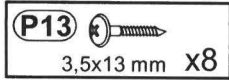
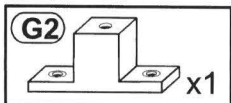
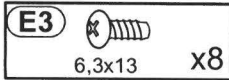
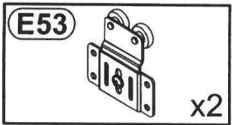
option "c" ⚠



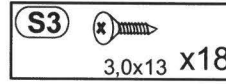
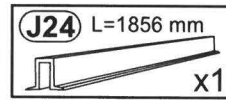
12



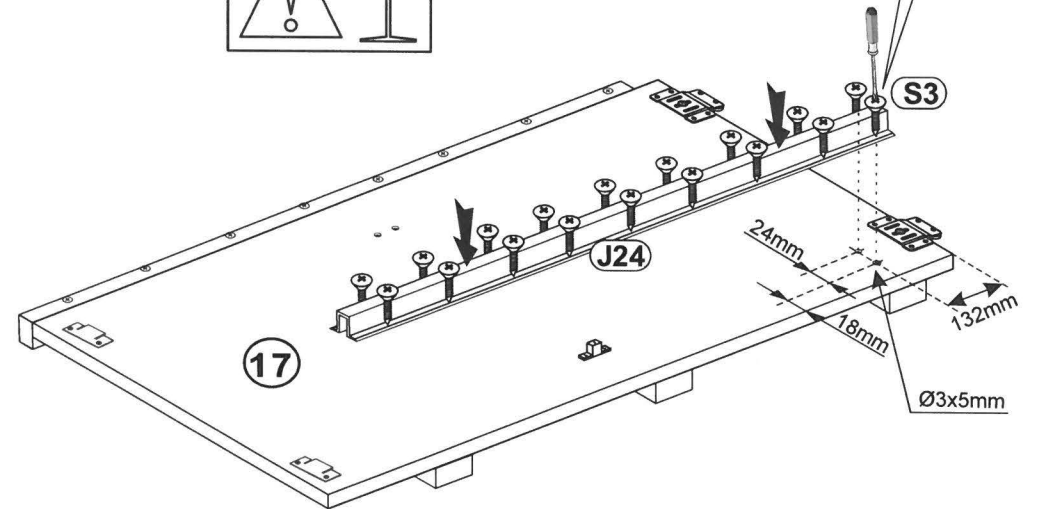
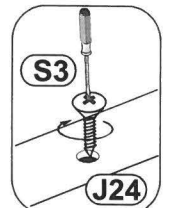
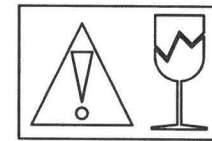
13



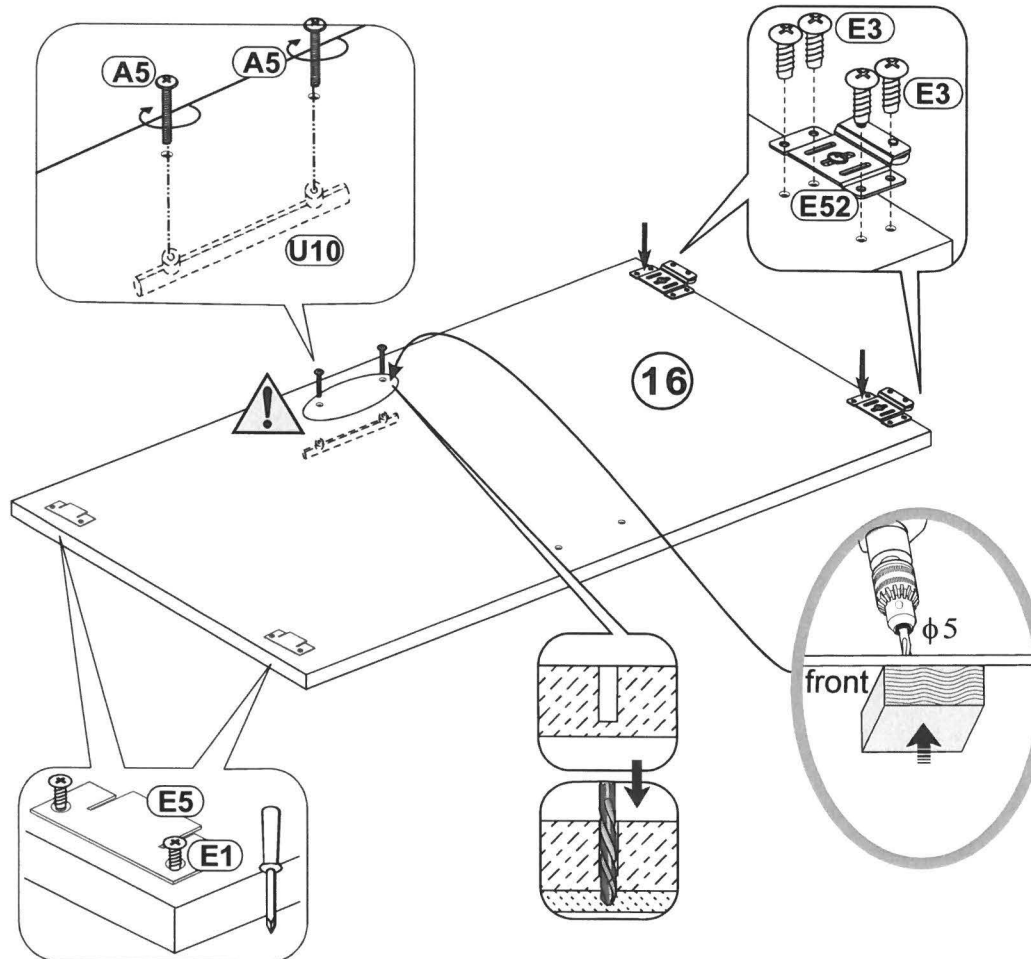
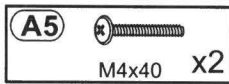
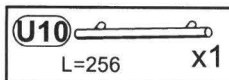
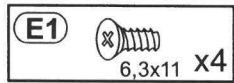
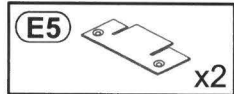
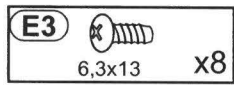
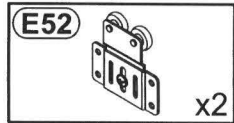
14



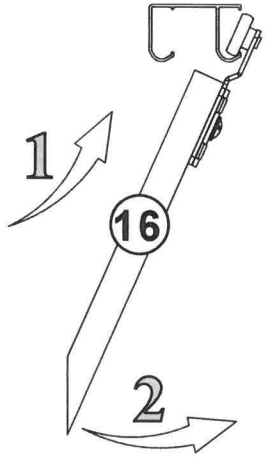
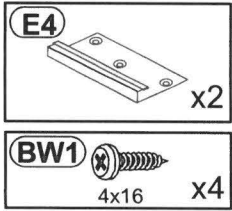
option "d" ⚠



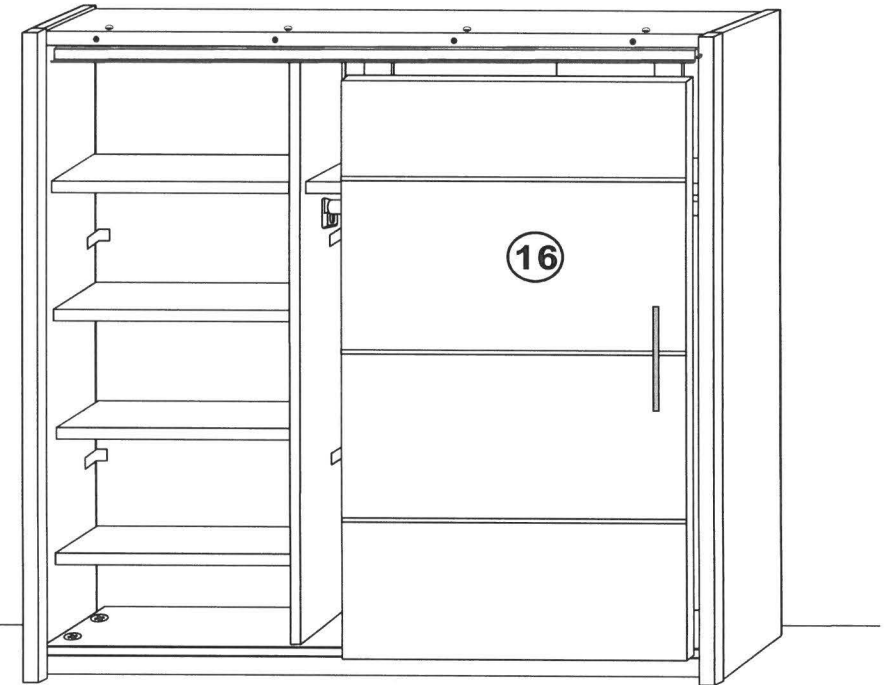
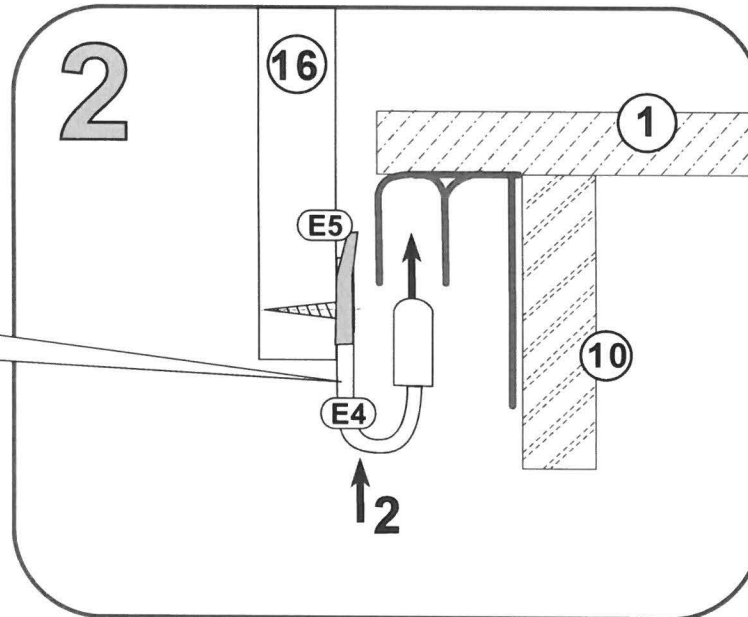
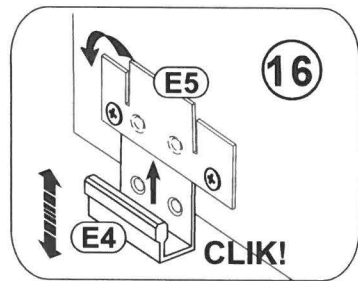
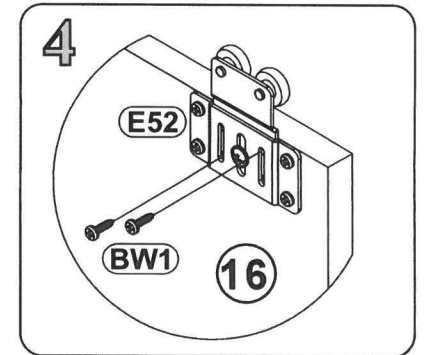
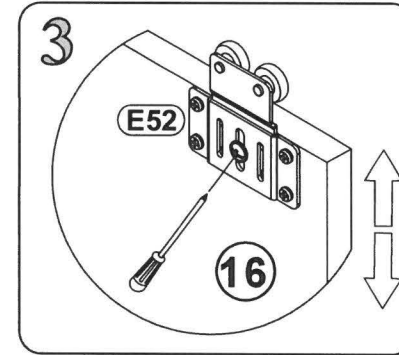
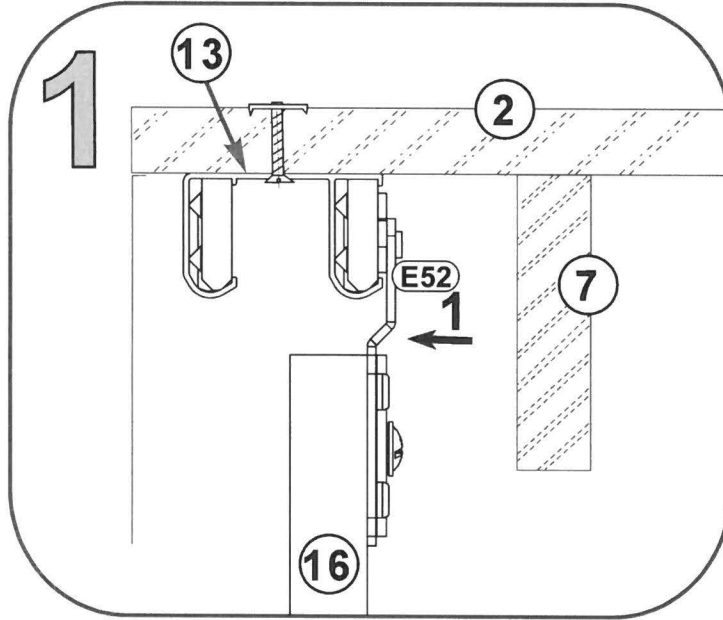
15



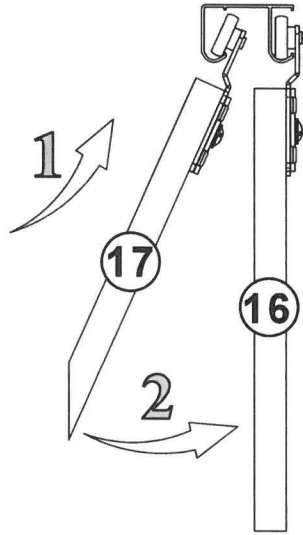
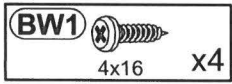
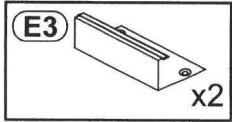
16



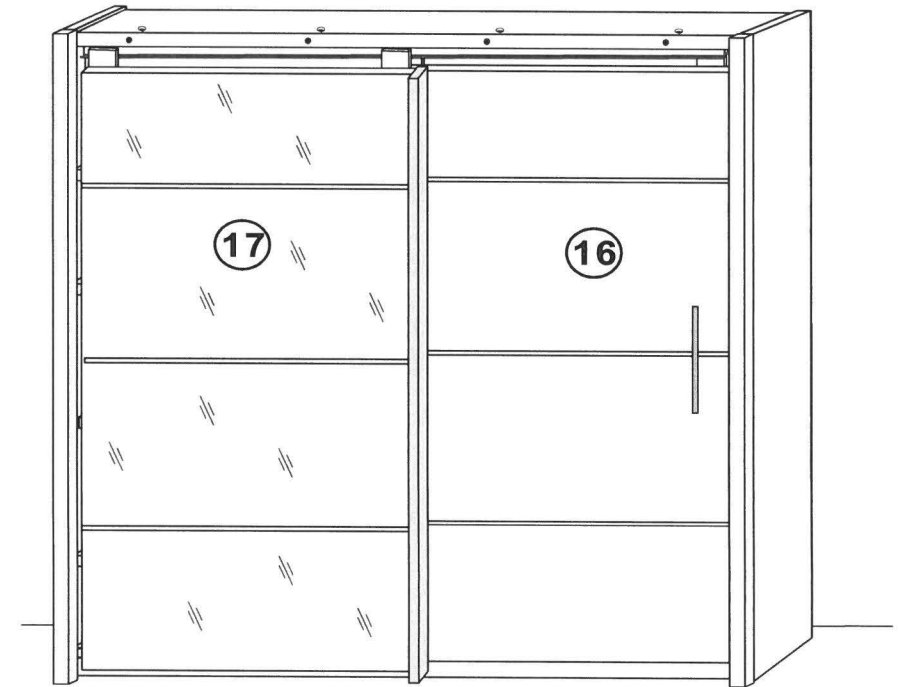
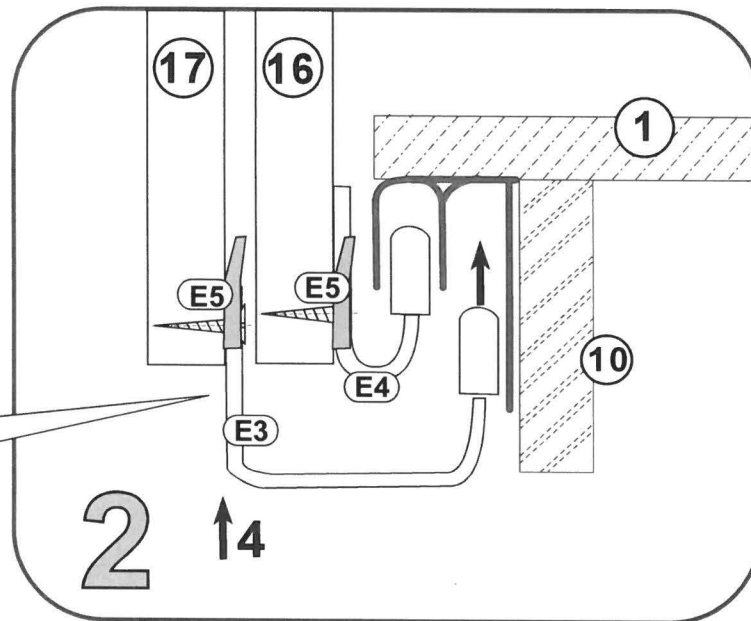
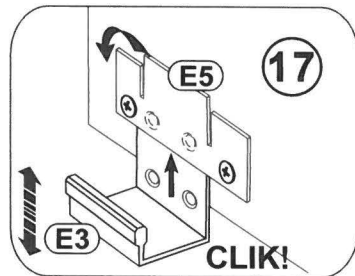
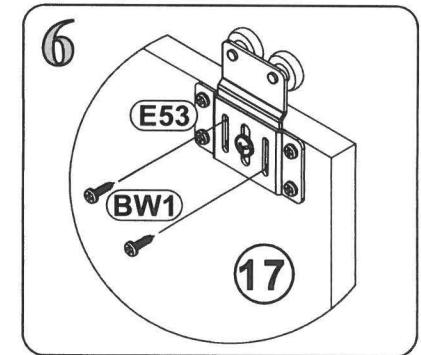
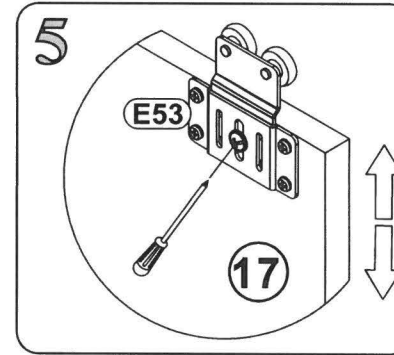
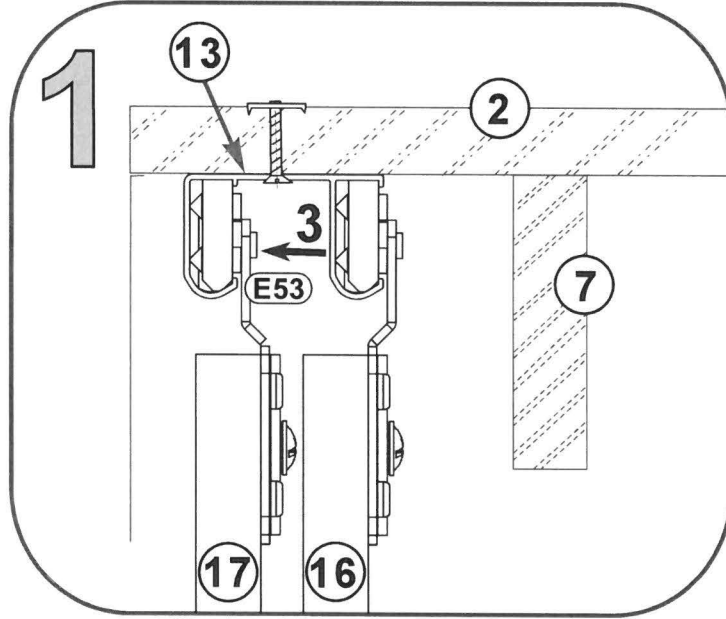
option "d" ⚠



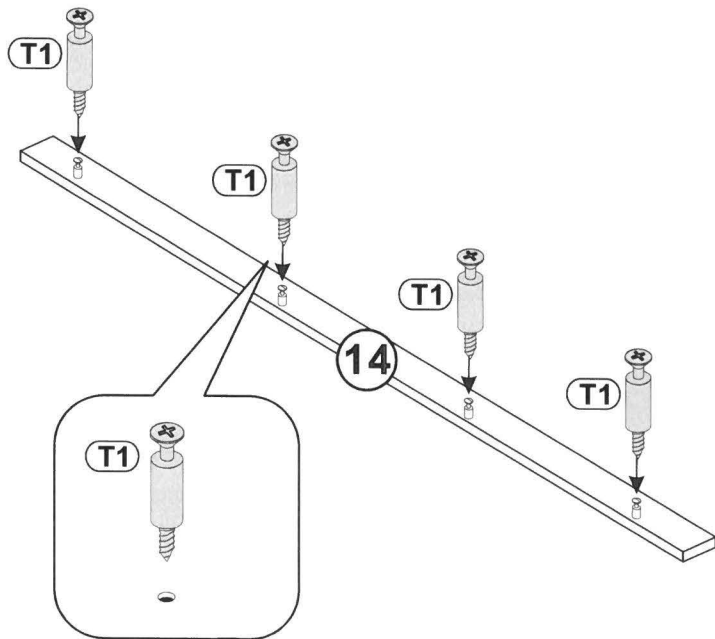
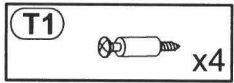
17



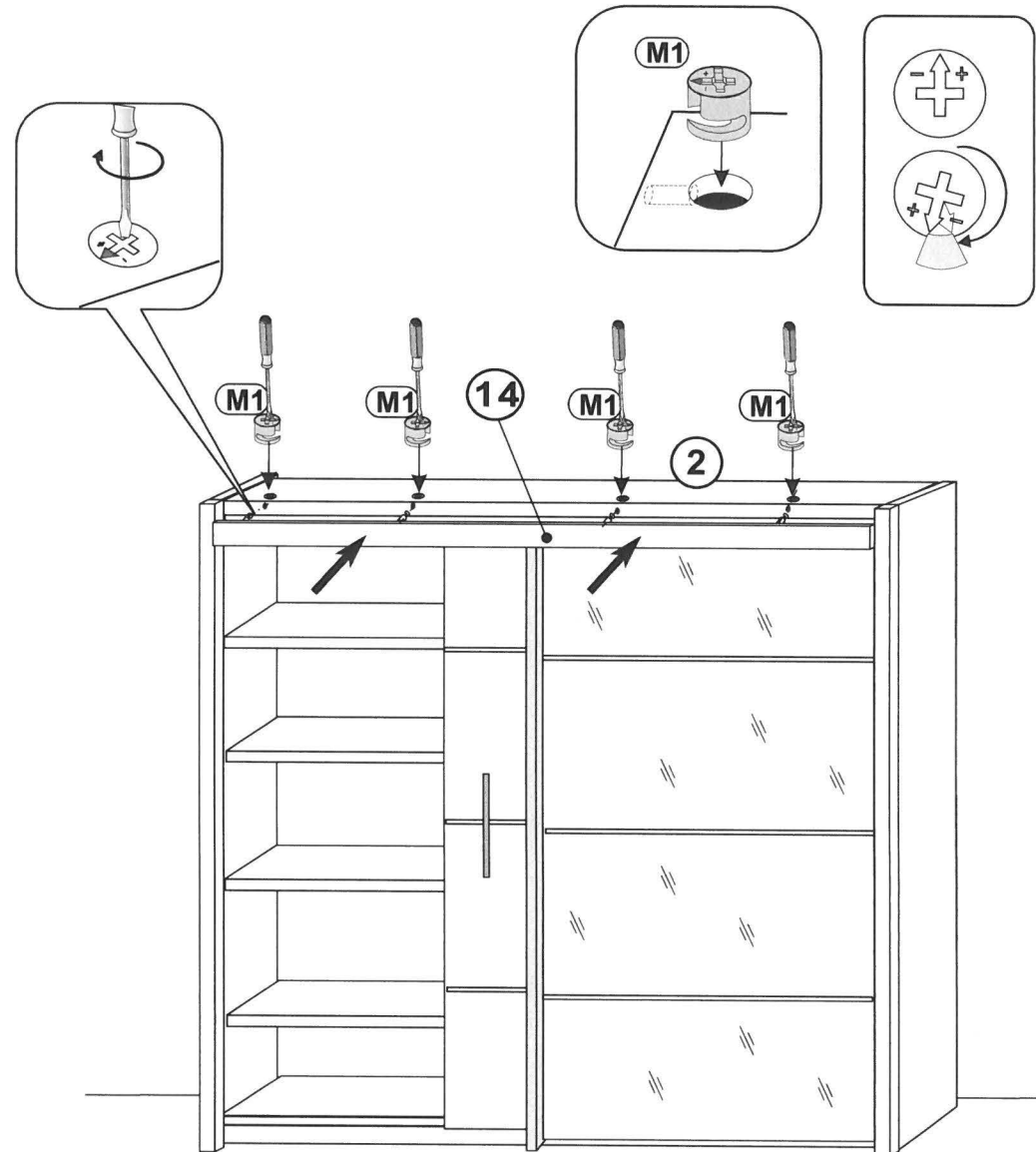
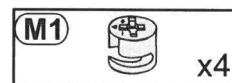
option "d"






18



19



20

- L4**  x3
- J11**  x2
- P13**  3,5x13 mm X4

