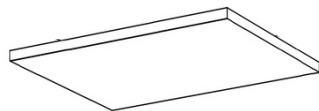
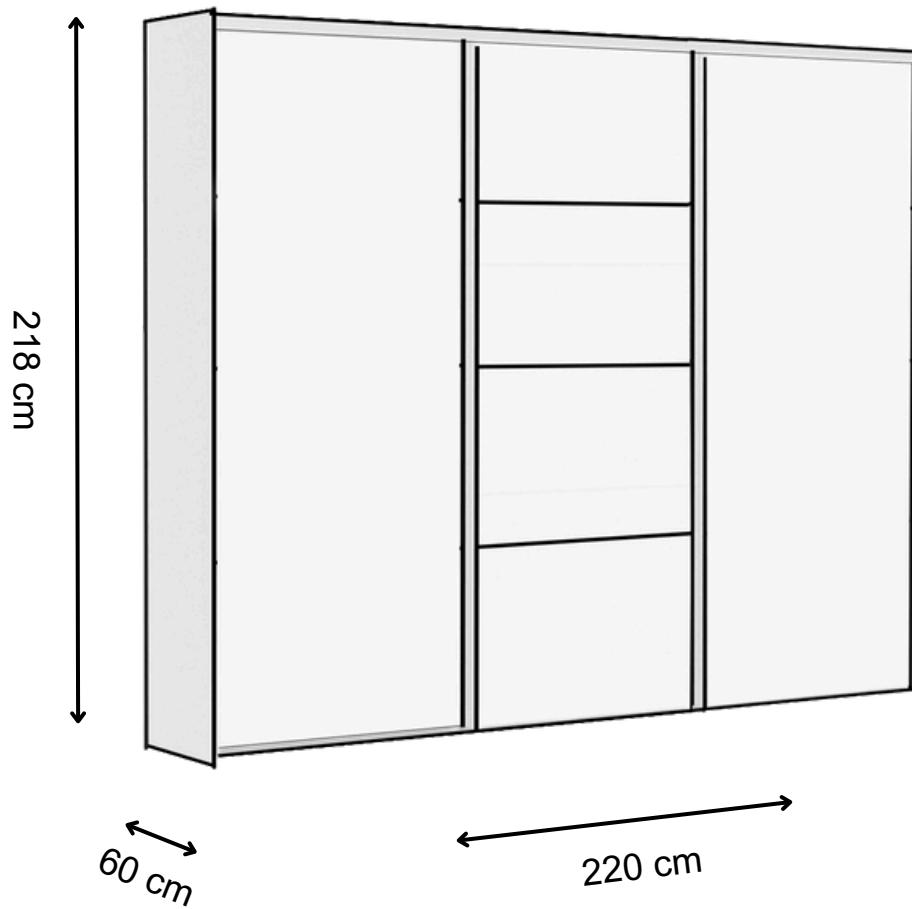


220 cm

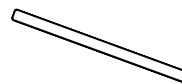
SHAPE

MONTERINGSANVISNING

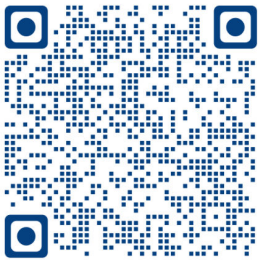
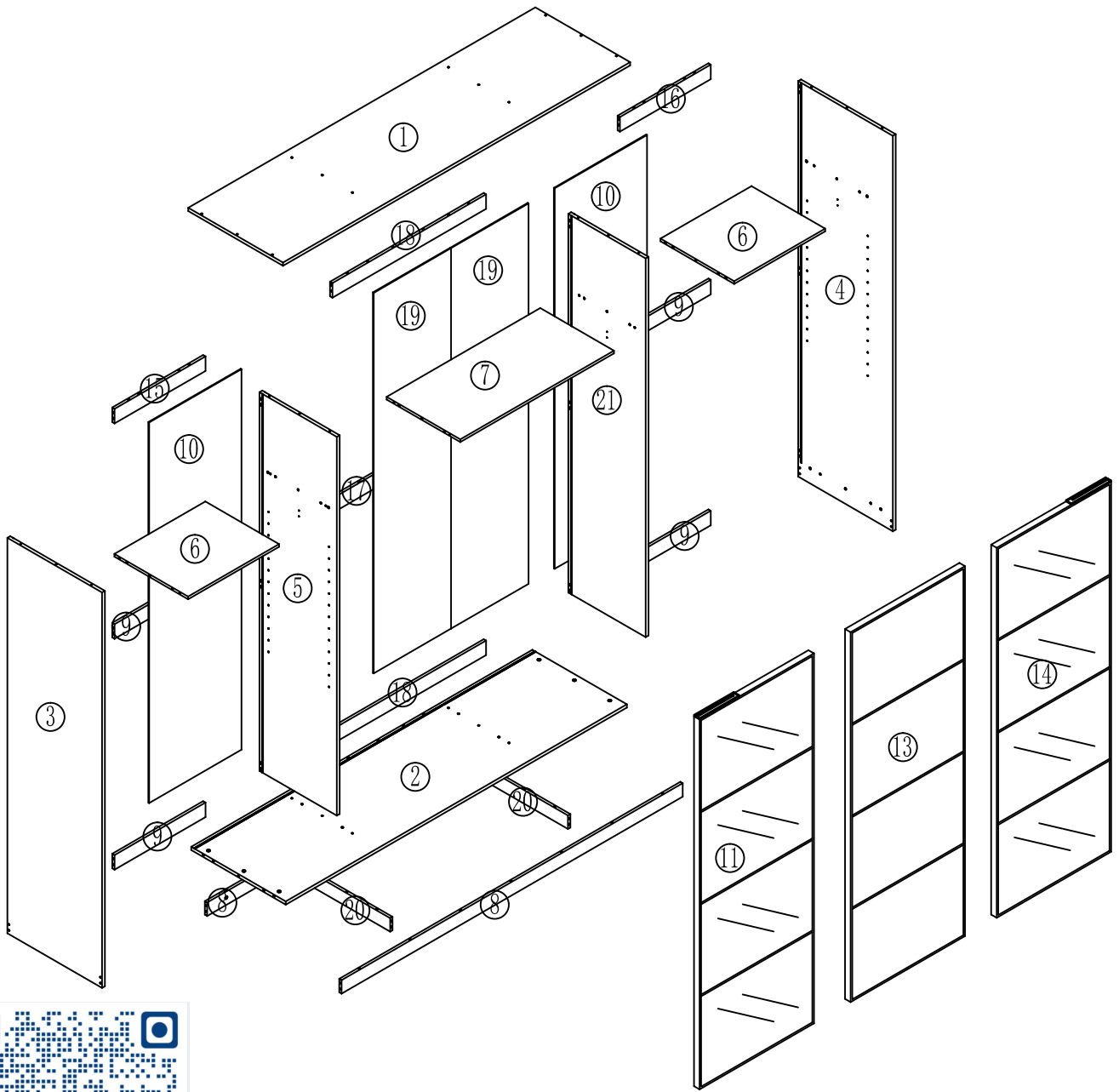
Installation manual



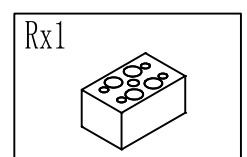
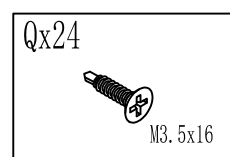
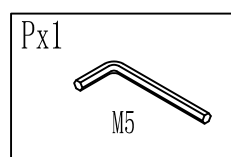
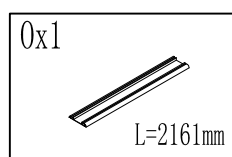
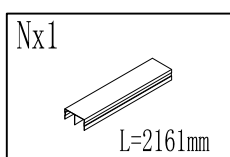
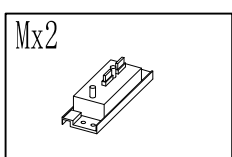
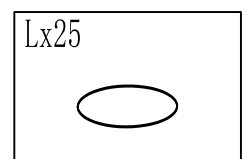
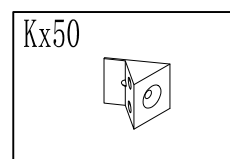
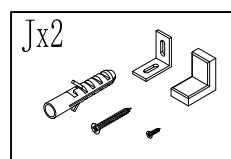
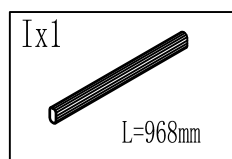
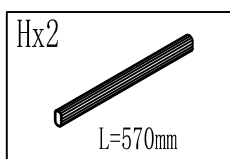
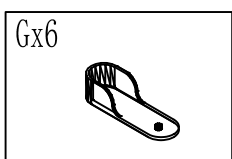
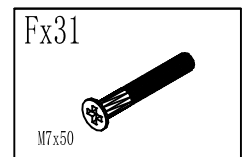
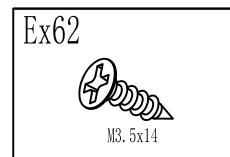
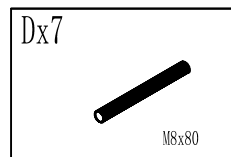
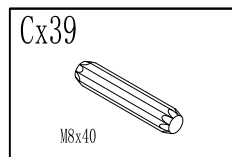
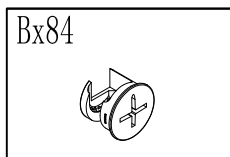
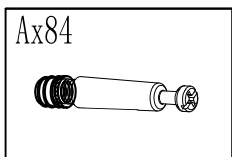
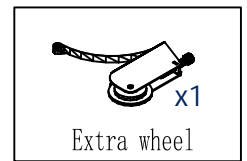
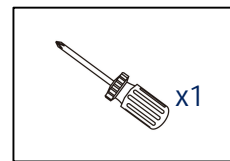
3x Hattehyller
3x Topshelves



3x Garderobestenger
3x Wardrobe rods



Installation video



BOX 1

⑪	2035x720x35	1 PC
⑬	2035x720x35	1 PC

BOX 2

⑤	2078x490x18	1 PC
⑧	2162x74x15	2 PCS
⑨	576x80x15	4 PCS
⑮	576x80x15	1 PC
⑯	576x80x15	1 PC
⑰	974x80x15	1 PC
⑱	974x80x15	2 PCS
⑳	565x74x15	2 PCS
㉑	2078x490x18	1 PC

BOX 3

①	2200x601x18	1 PC
⑲	2088x491x5	2 PCS

BOX 4

②	2162x599x18	1 PC
⑥	576x467x15	2 PCS
⑦	974x467x15	1 PC

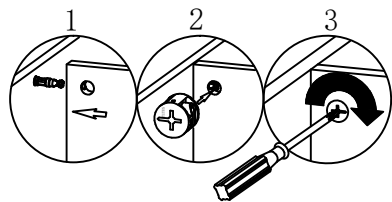
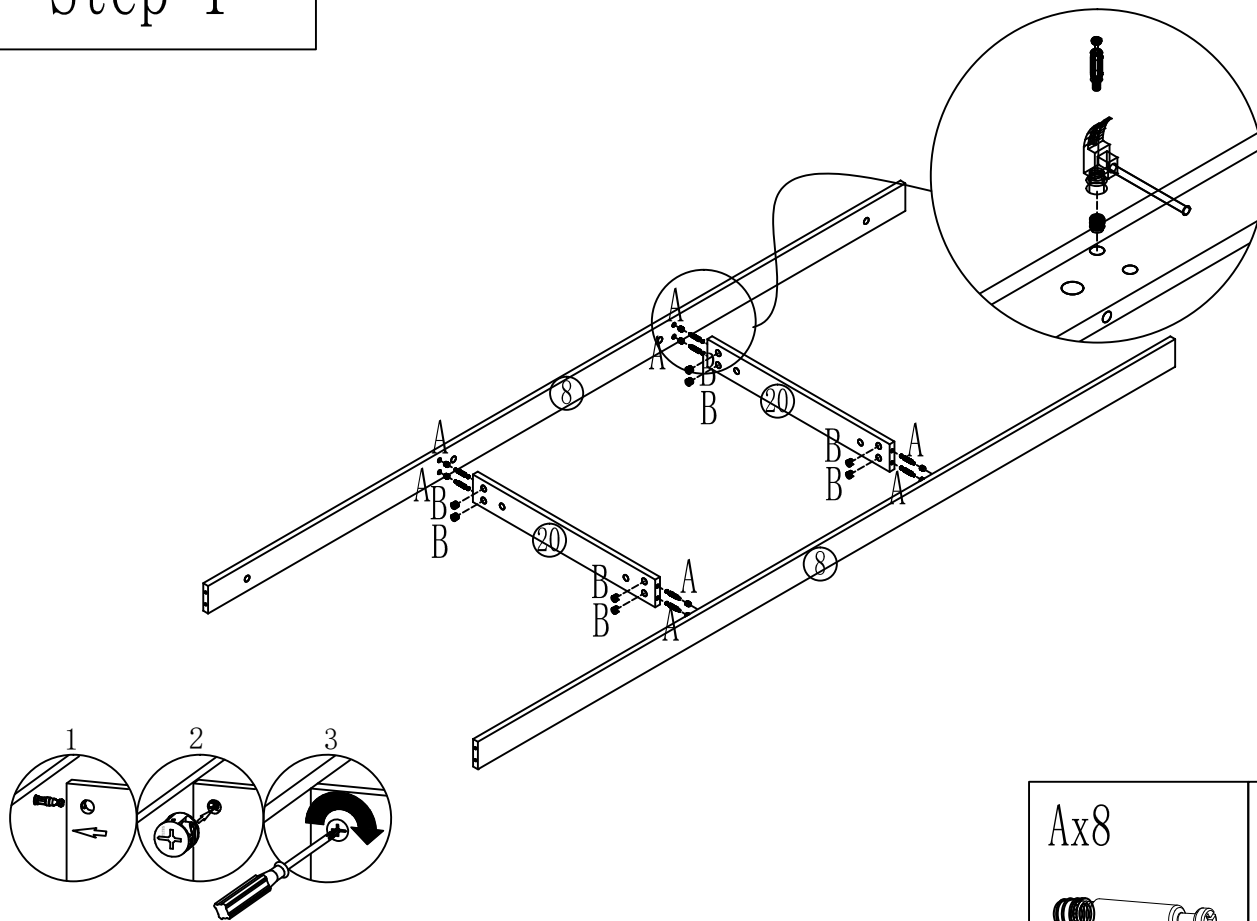
BOX 5



③	2170x600x18	1 PC
④	2170x600x18	1 PC

BOX 6

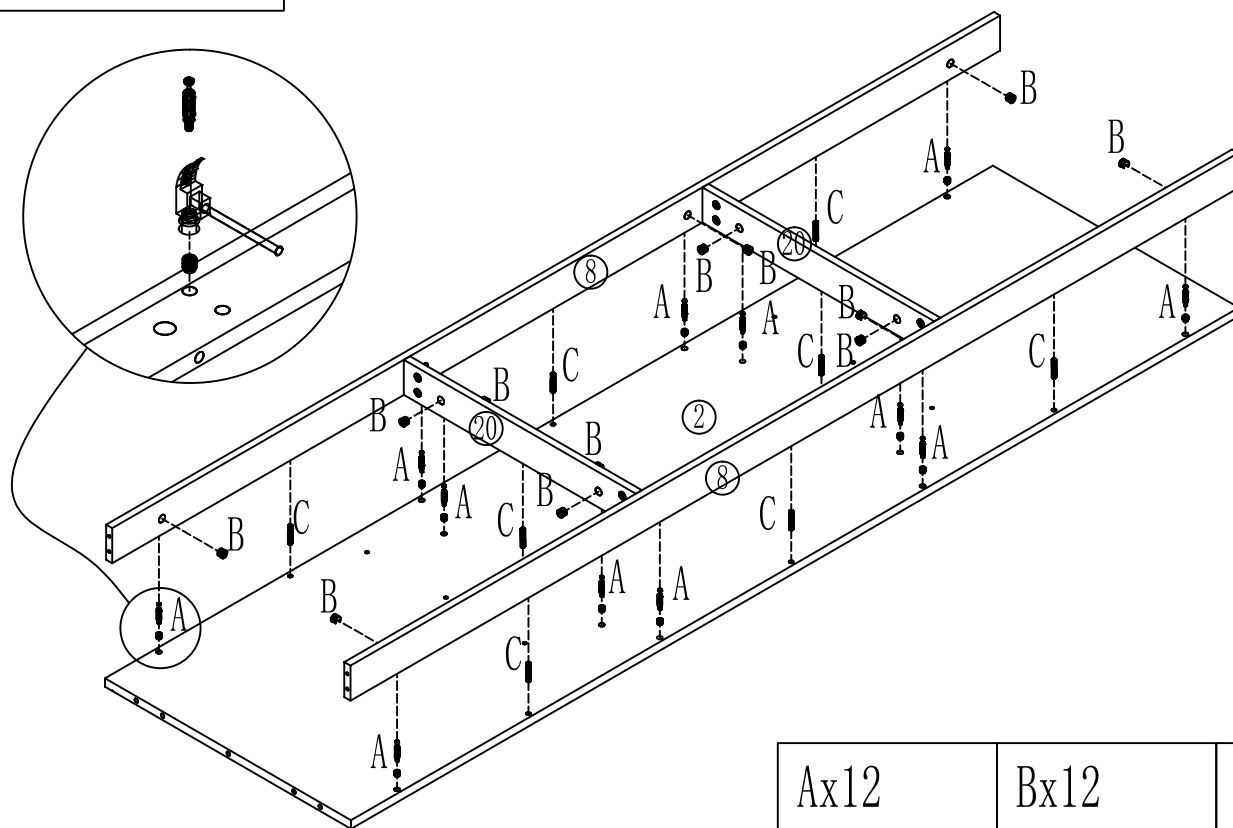
⑭	2035x720x35	1 PC
⑩	2088x585x5	2 PCS

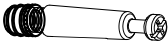


Step 1



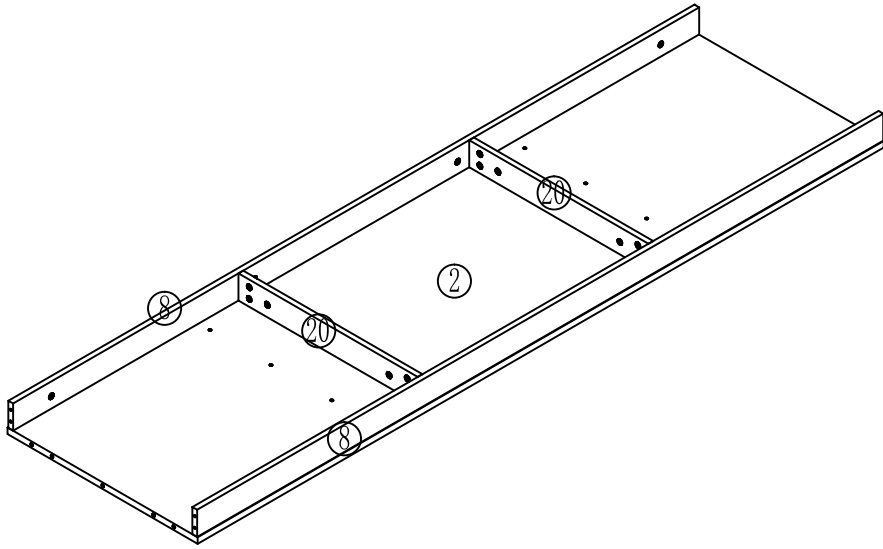
Ax8	Bx8
	

Step 2

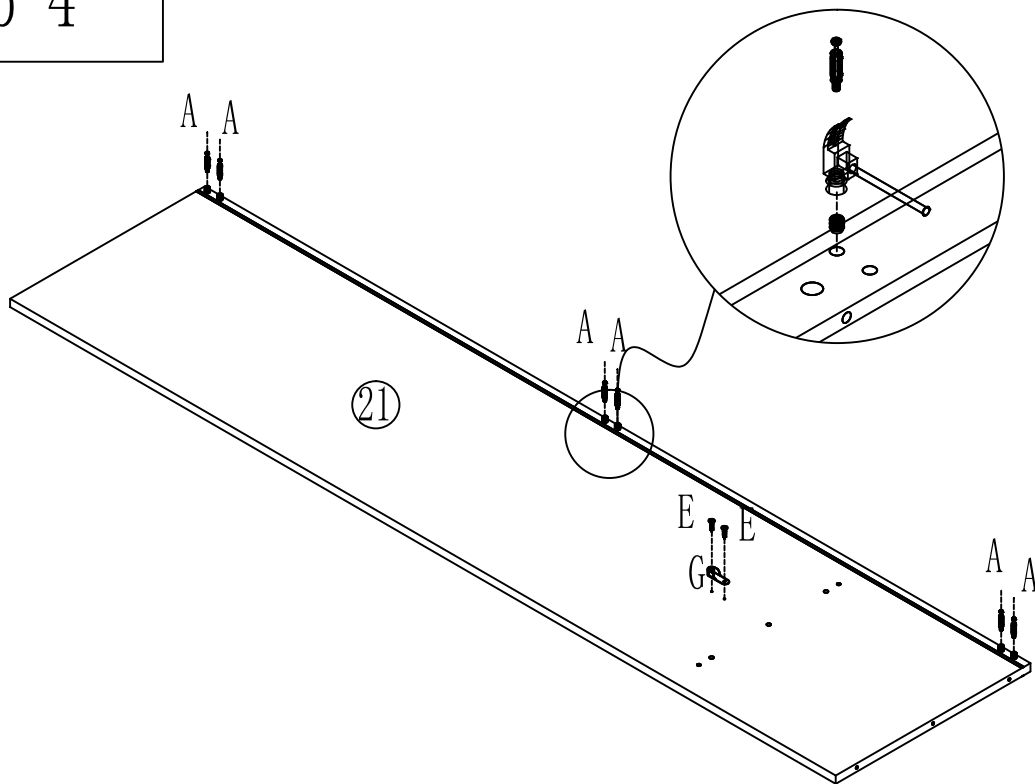


Ax12	Bx12	Cx8
		
		M8x40

Step 3



Step 4



Ax6



Ex2

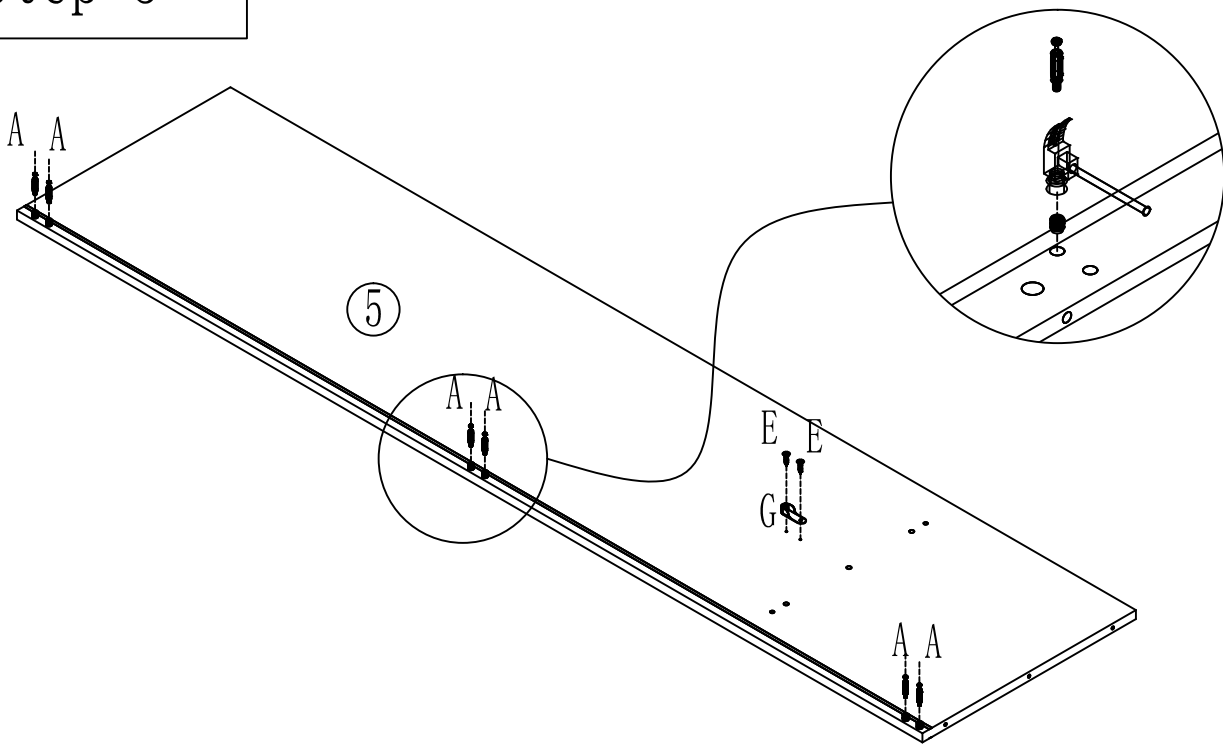


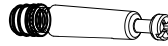


M3. 5x14

Gx1

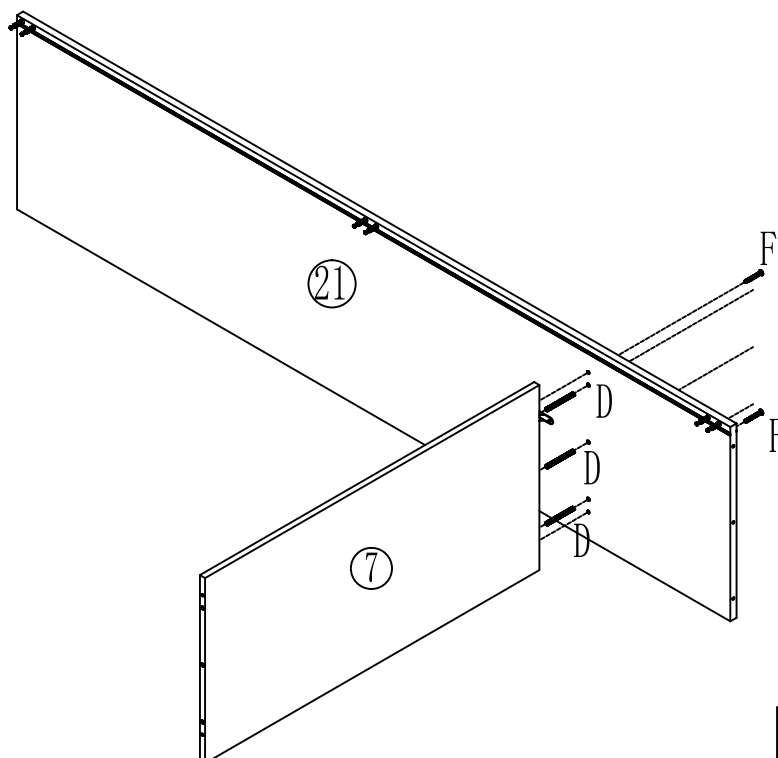




Step 5



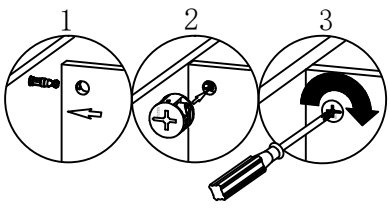
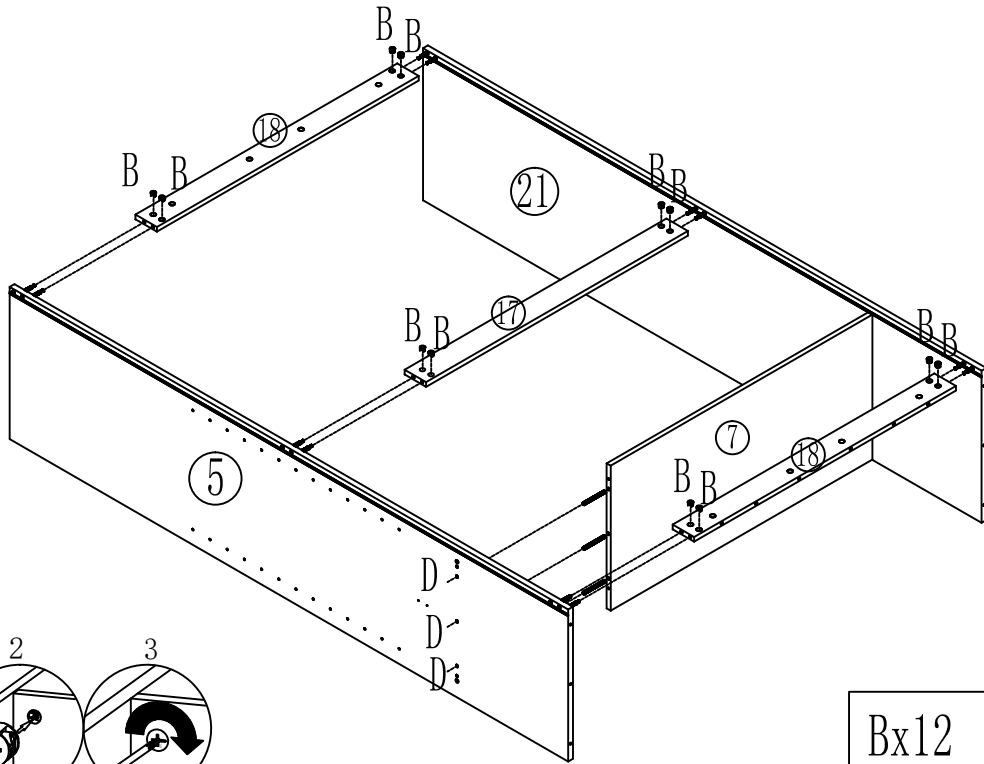
Ax6	Ex2	Gx1
	 M3.5x14	

Step 6



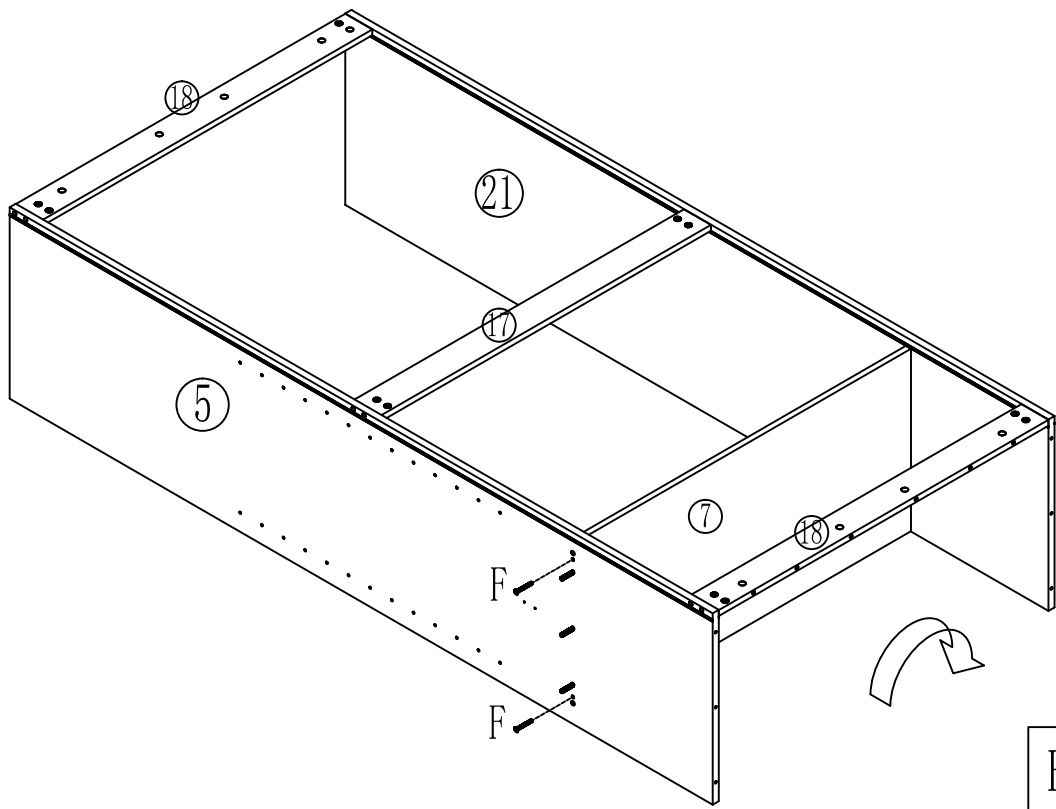
Fx2	Dx3
 M7x50	 M8x80

Step 7



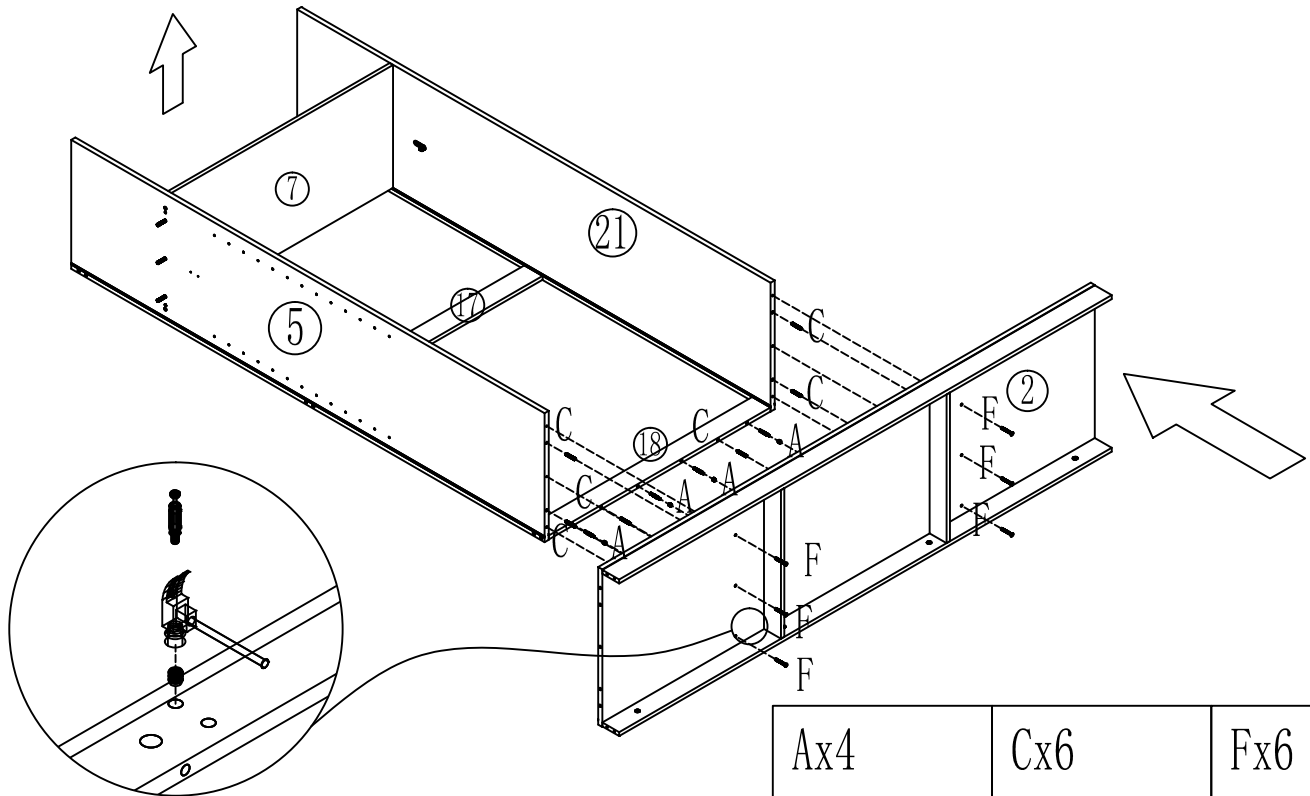
Bx12	Dx3
	M8x80

Step 8

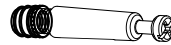


Fx2
M7x50

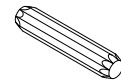
Step 9



Ax4



Cx6



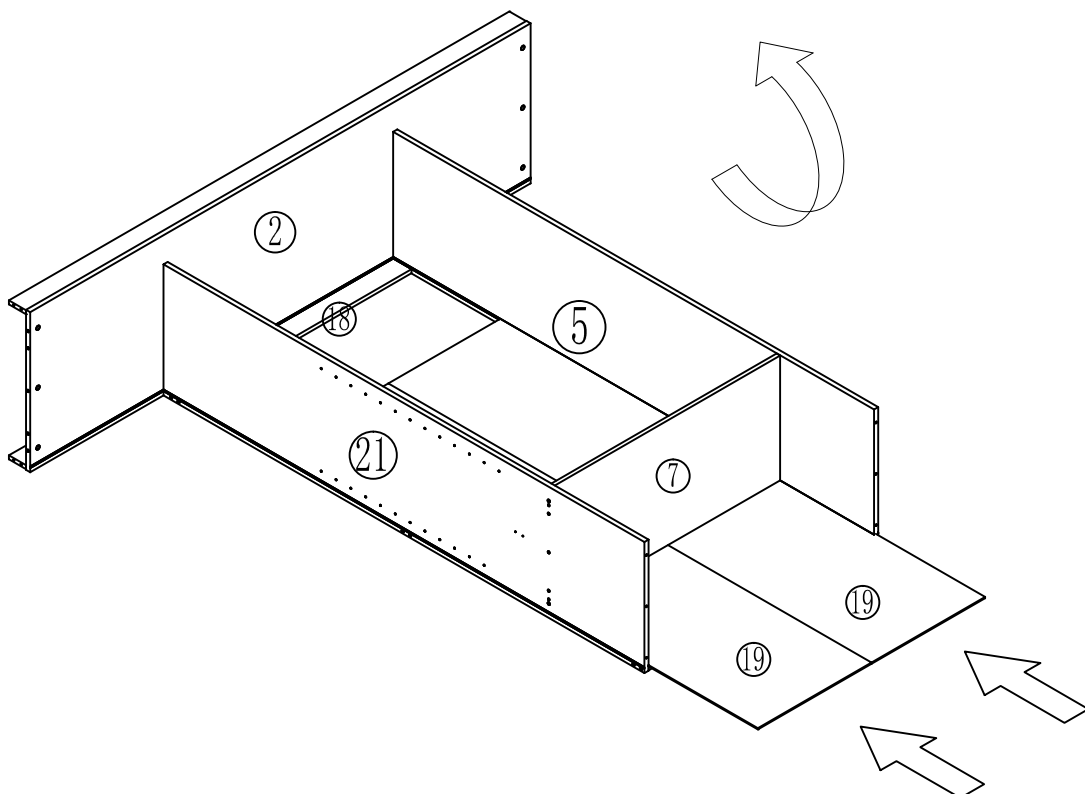
M8x40

Fx6

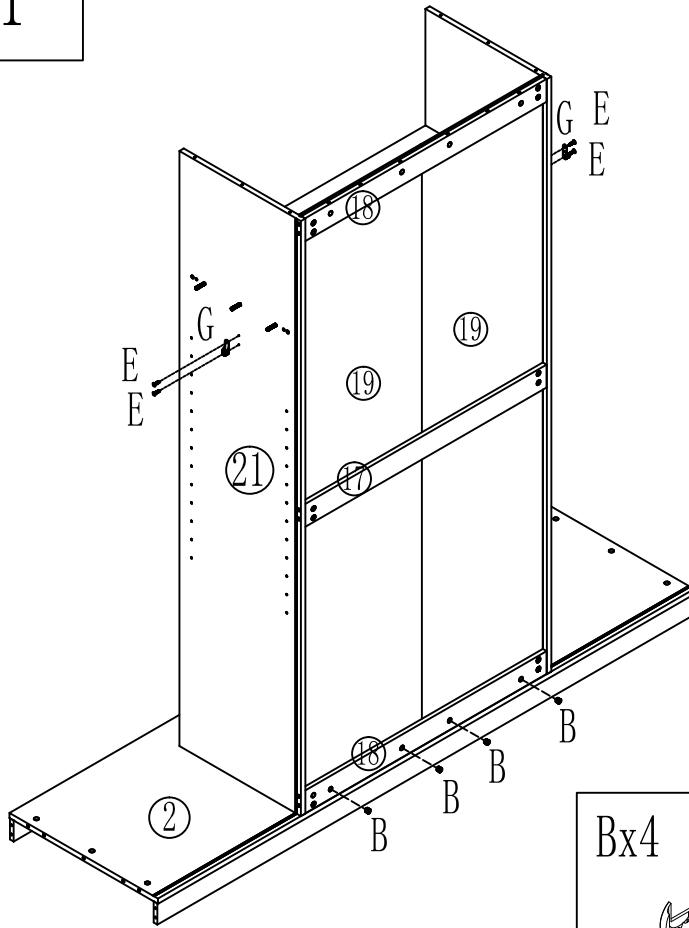


M7x50

Step 10



Step 11



Bx4



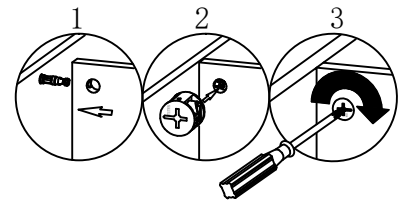
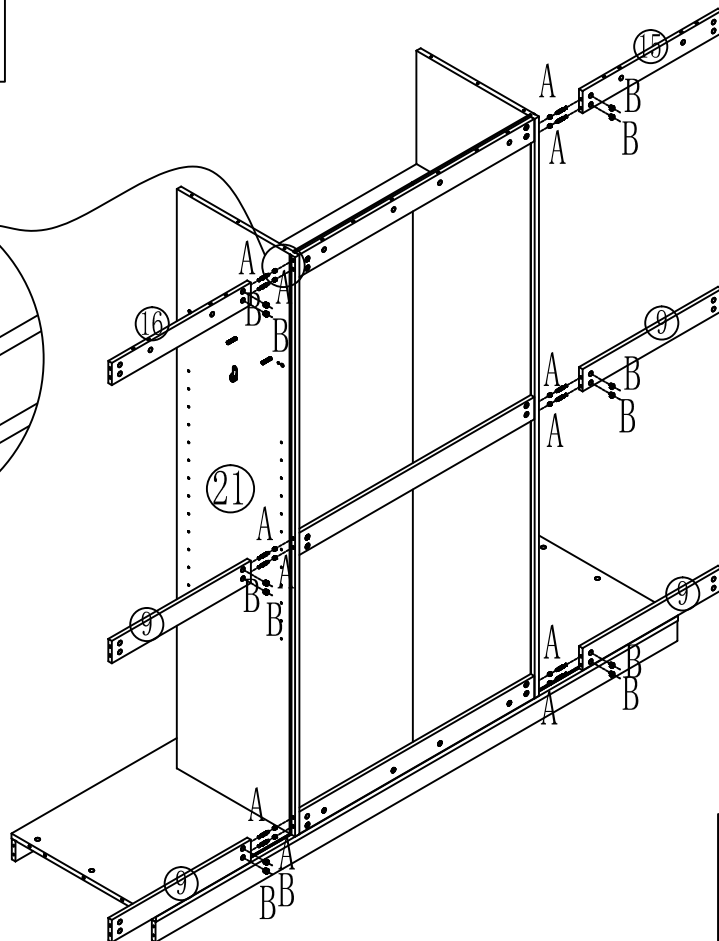
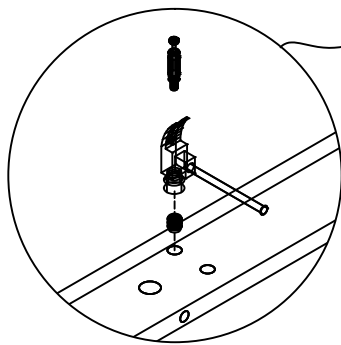
Ex4



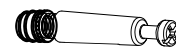
Gx2



Step 12



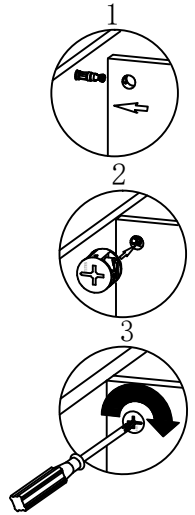
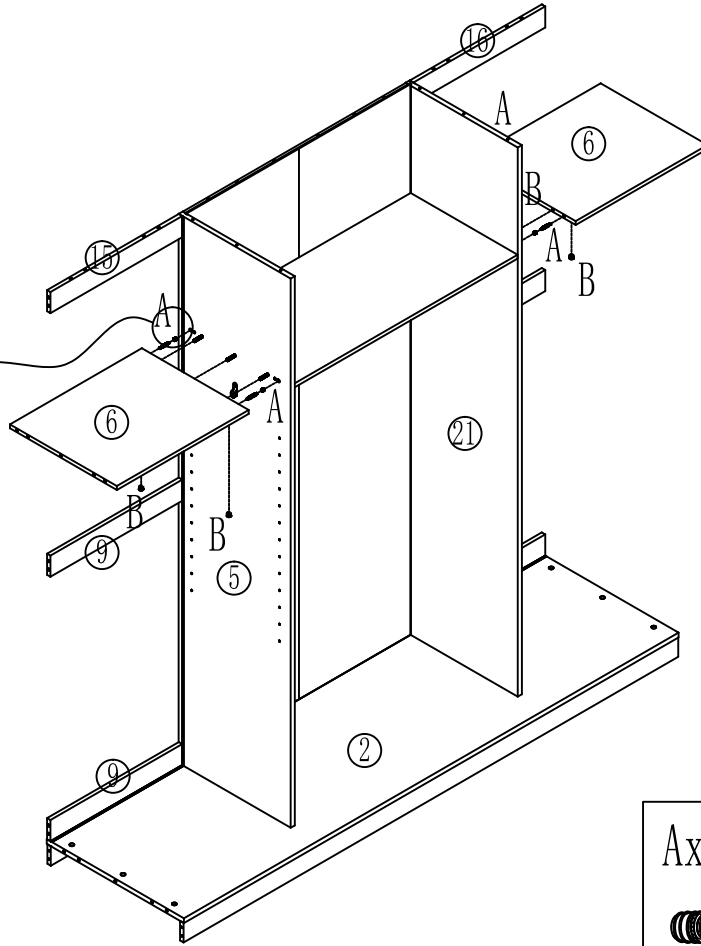
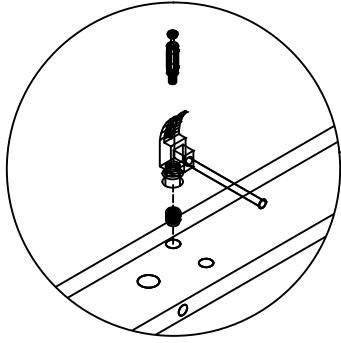
Ax12

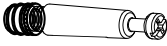



Bx12

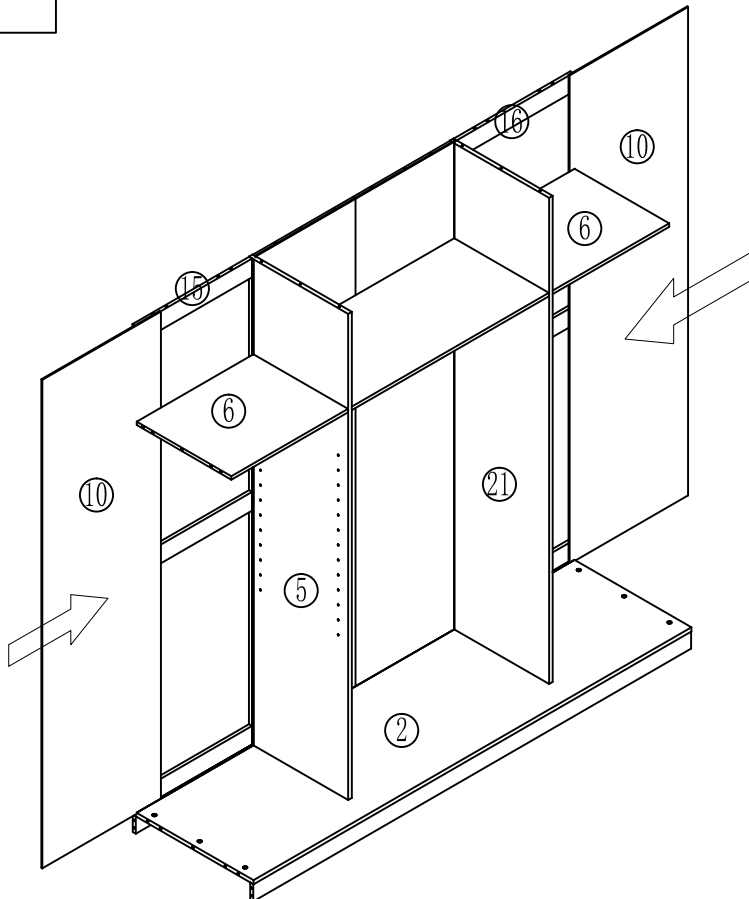


Step 13

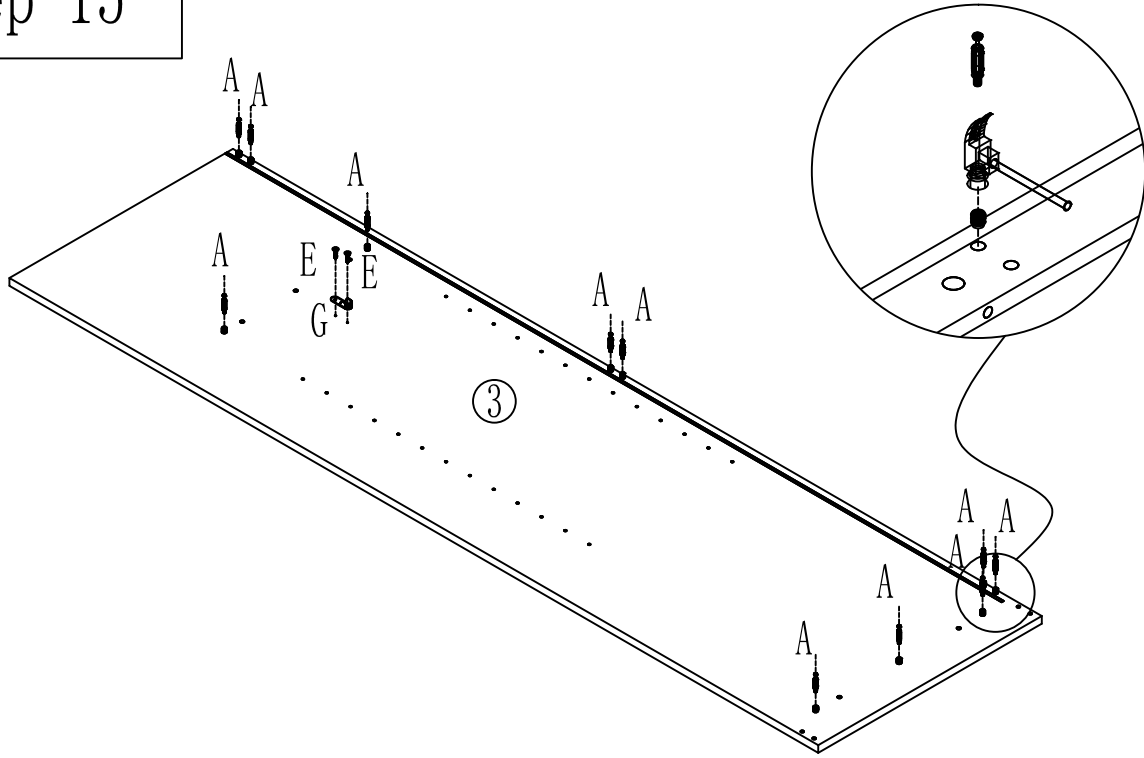


Ax4	Bx4
	

Step 14



Step 15



Ax11



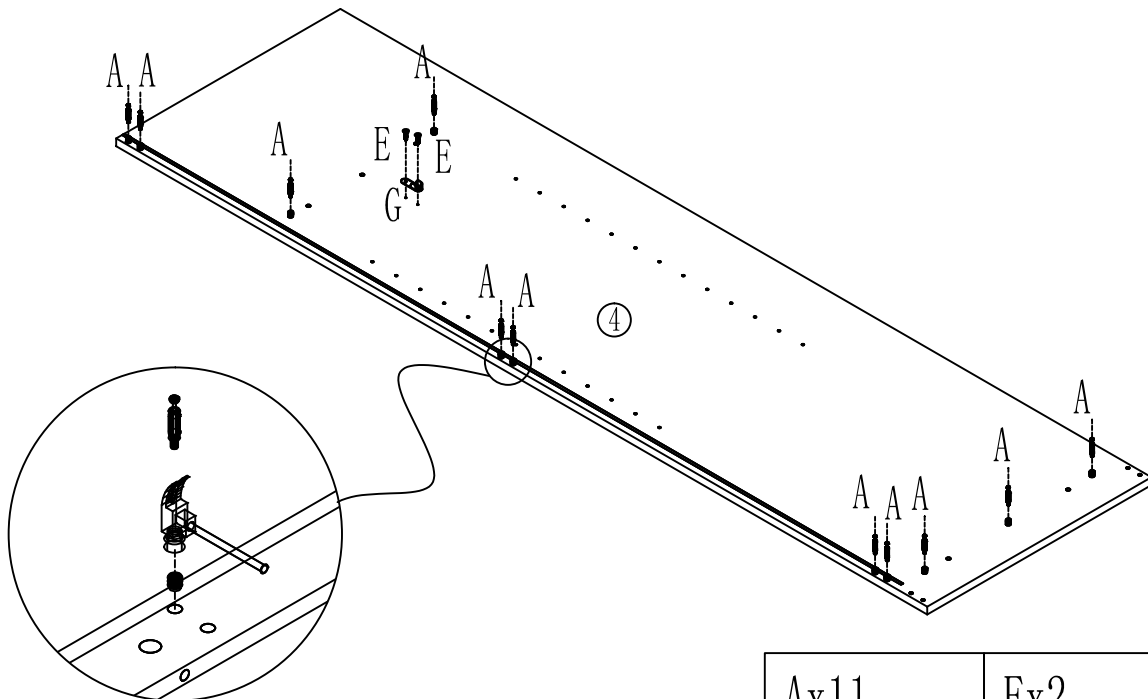
Ex2



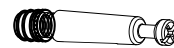
Gx1



Step 16



Ax11



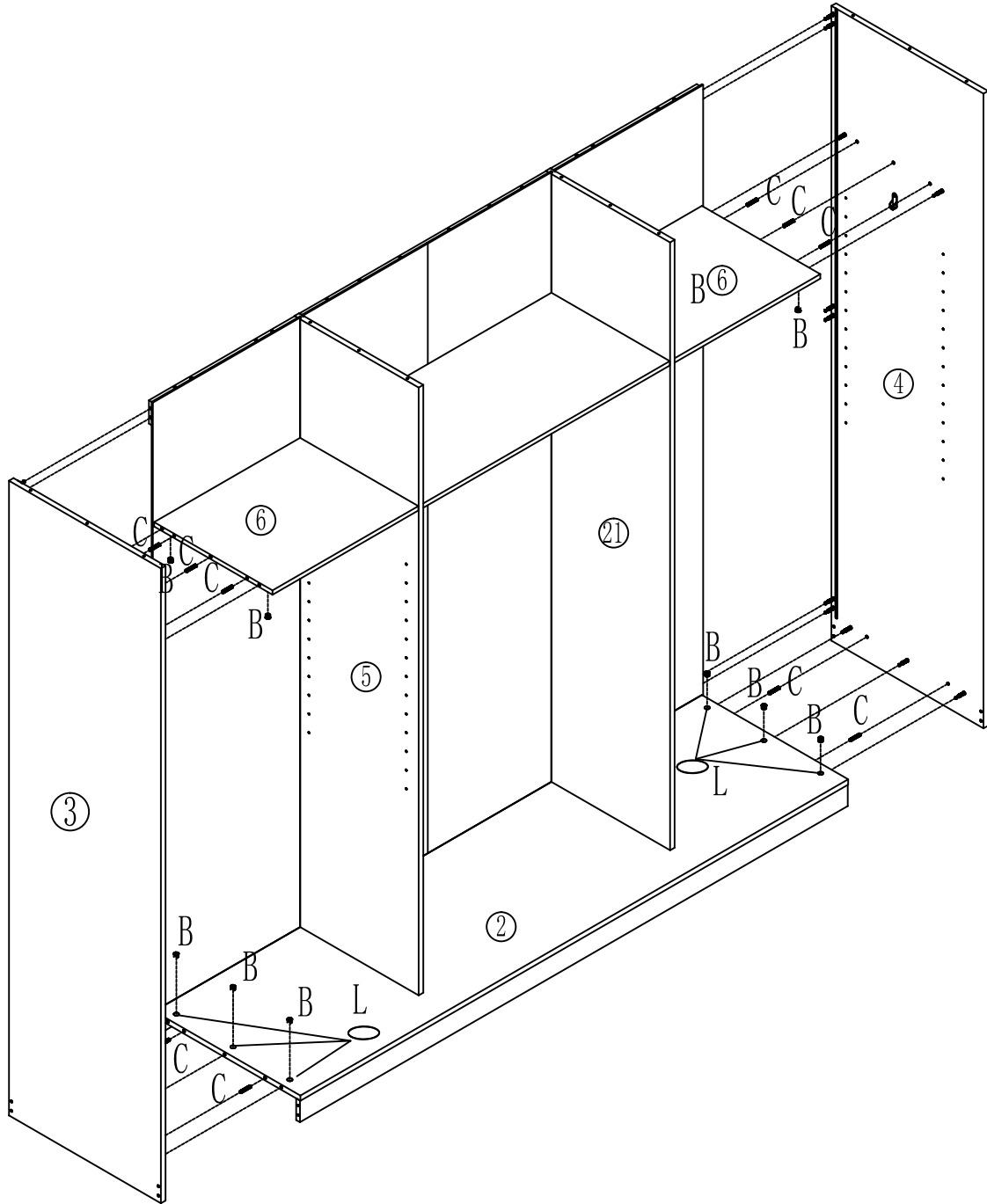
Ex2


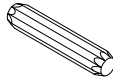



Gx1

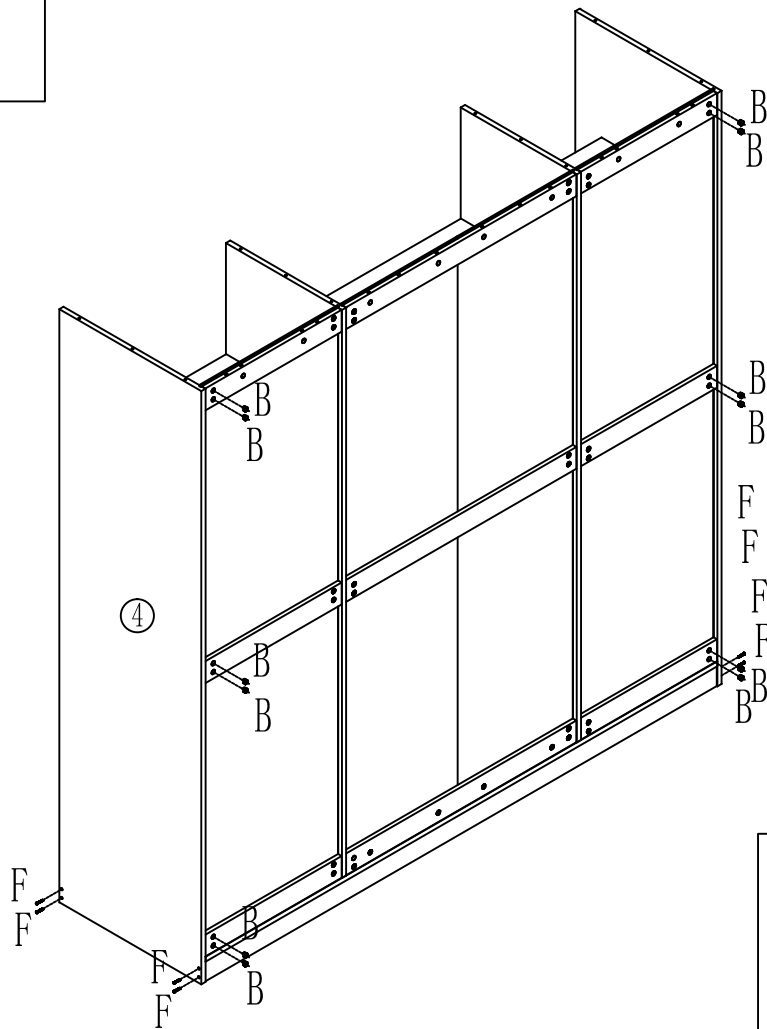


Step 17



Bx10 	Cx10  MSx40	Lx6 
--	--	--

Step 18



Bx12

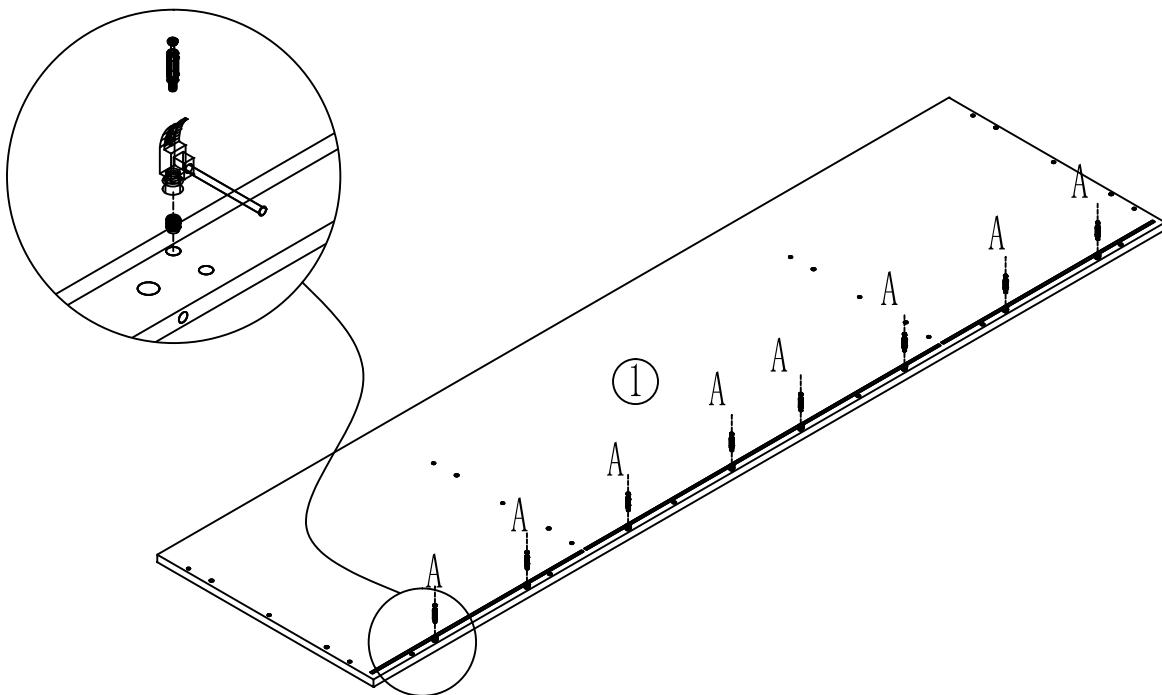


Fx8



M7x50

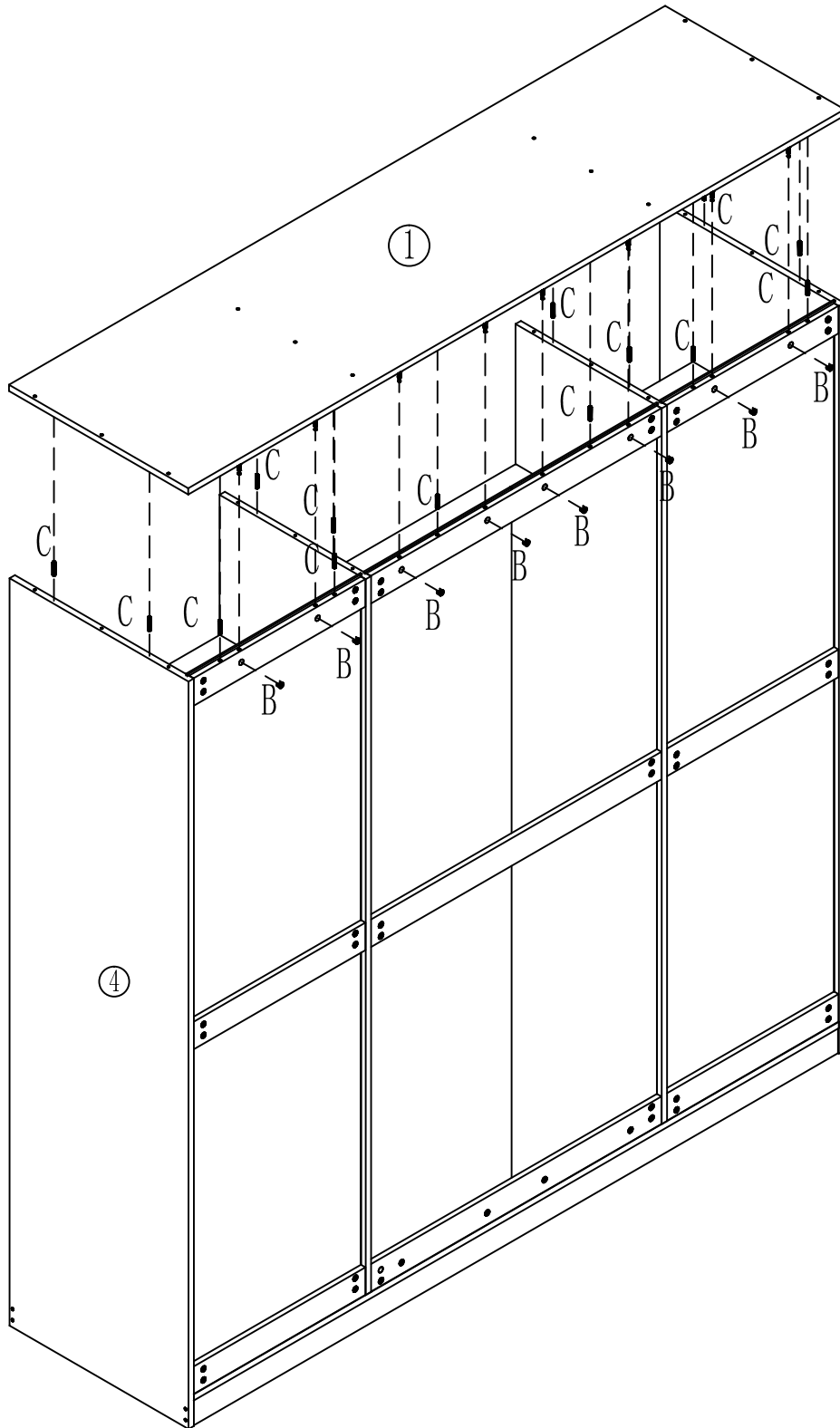
Step 19



Ax8



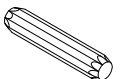
Step 20



Bx8

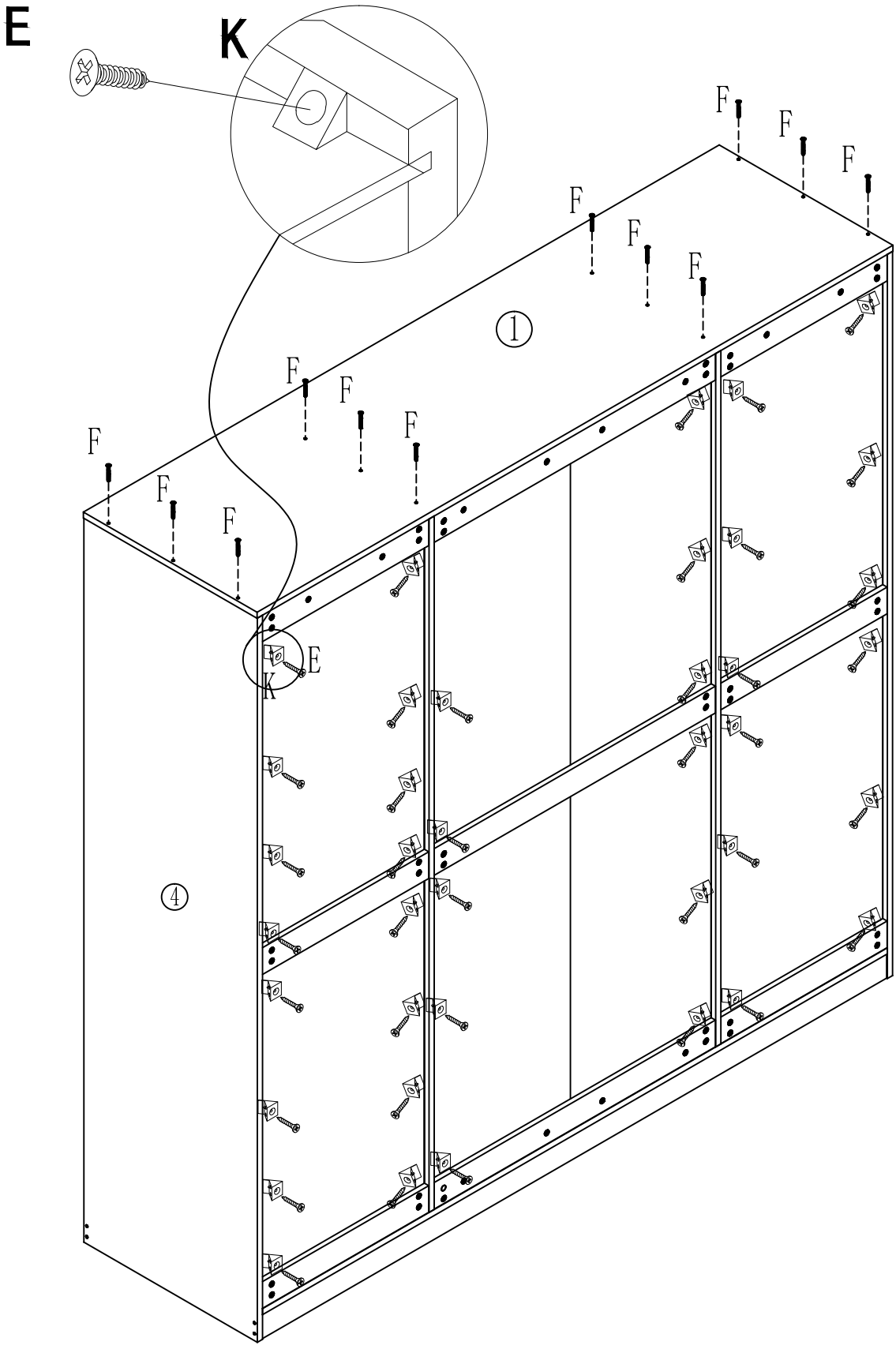



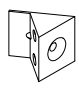
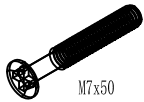
Cx14



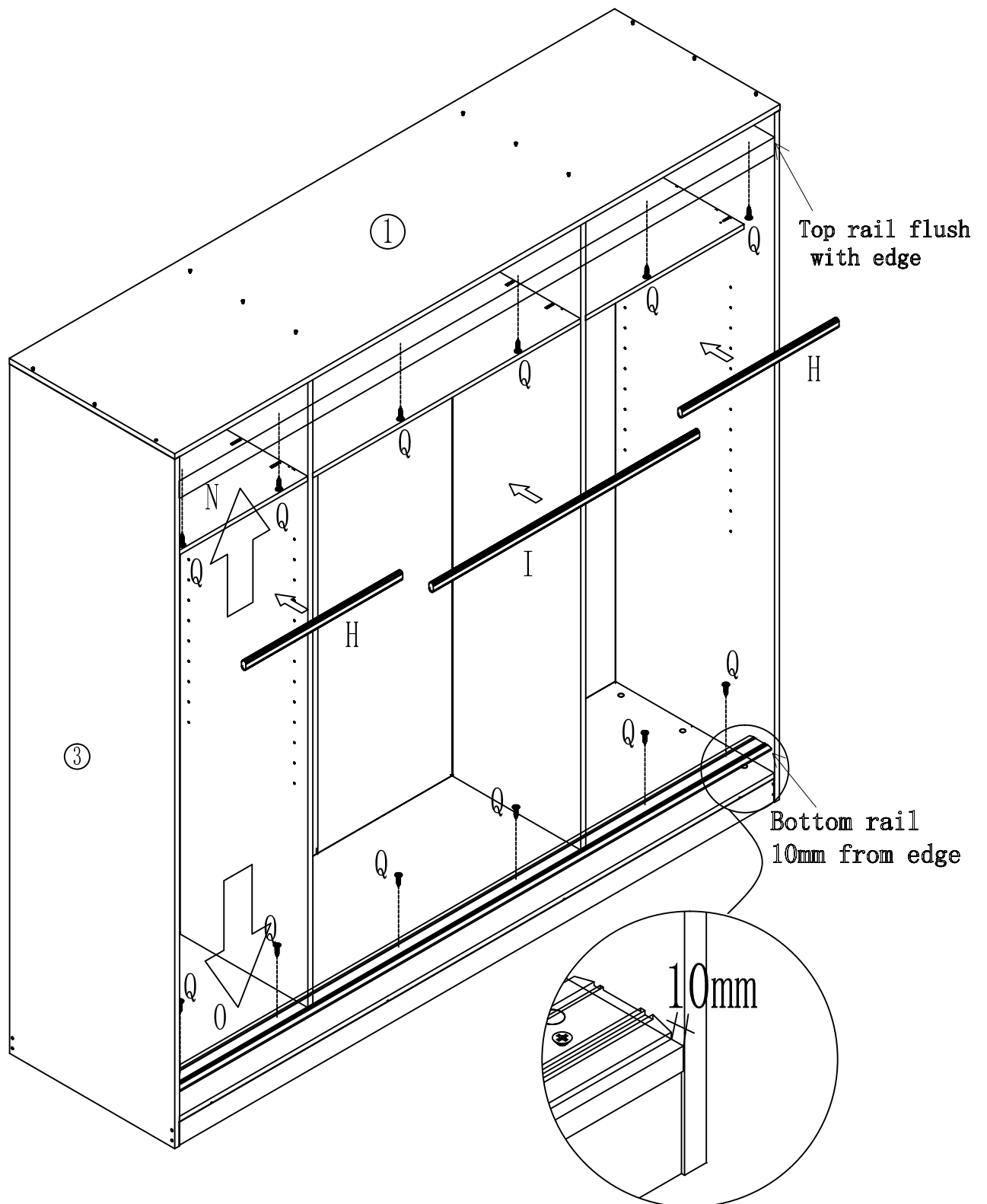
M8x40


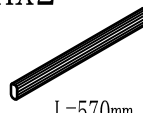
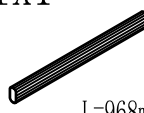
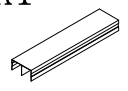
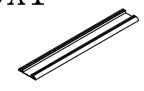
Step 21



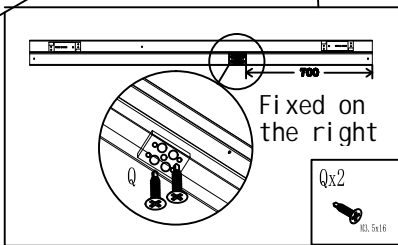
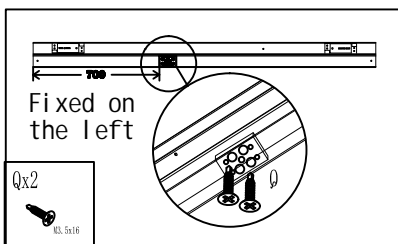
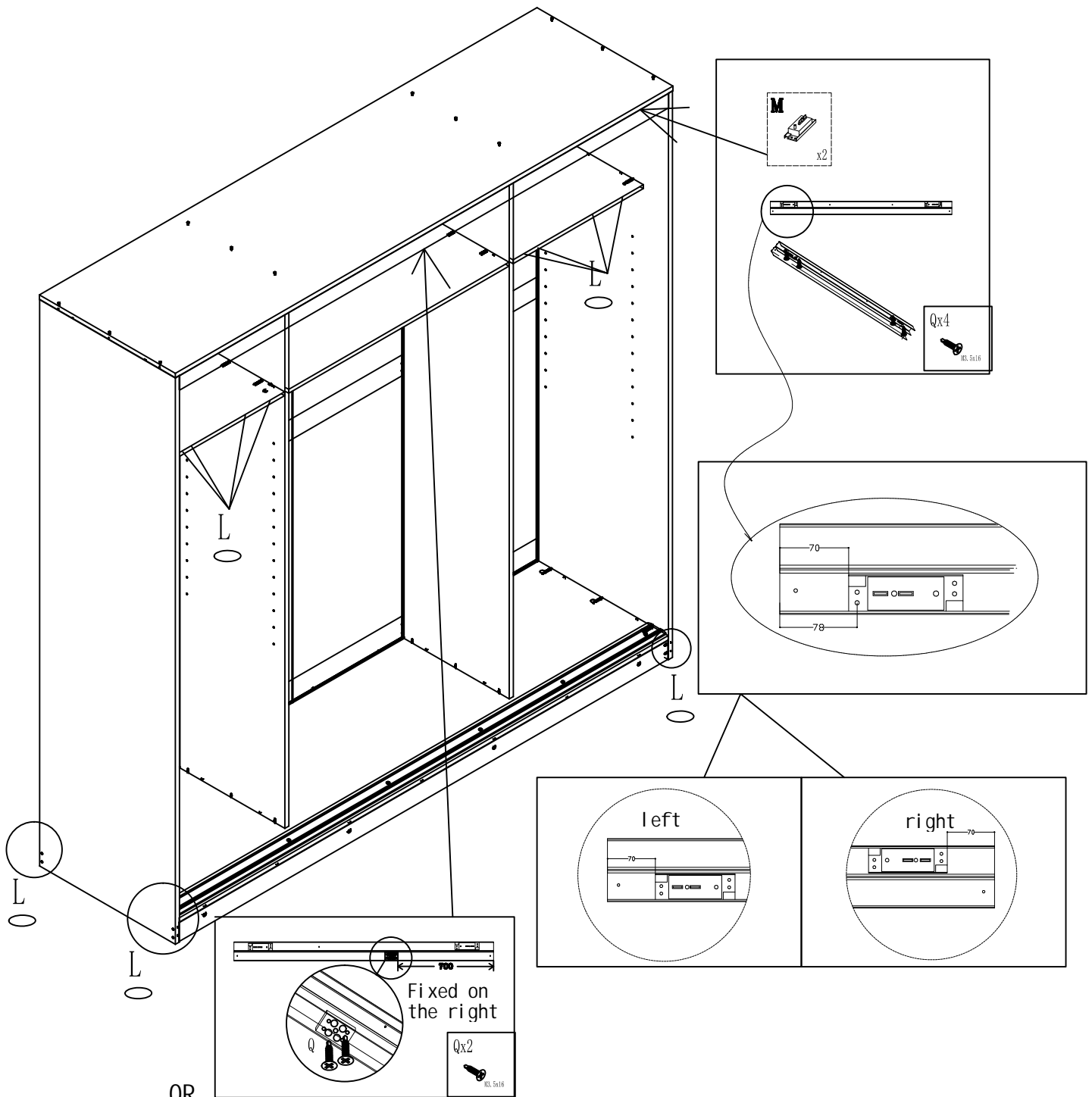
<p>Ex48</p>  <p>M3. 5x14</p>	<p>Kx48</p> 	<p>Fx12</p>  <p>M7x50</p>
--	---	--


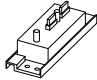

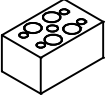
Step 22



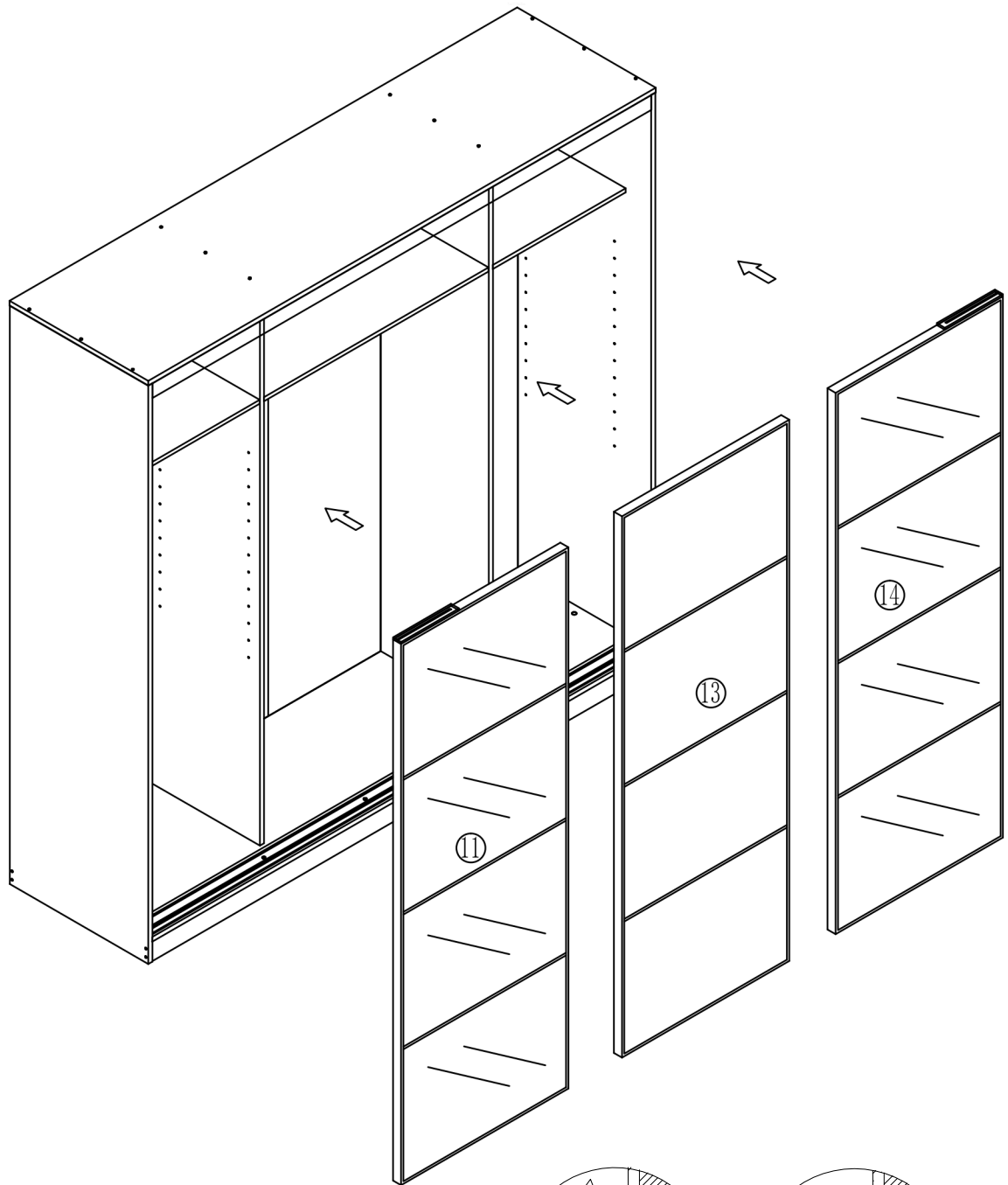
<p>Qx12</p>  <p>M3, 5x14</p>	<p>Hx2</p>  <p>L=570mm</p>	<p>Ix1</p>  <p>L=968mm</p>	<p>Nx1</p>  <p>L=2161mm</p>	<p>Ox1</p>  <p>L=2161mm</p>
---	---	--	--	--

Step 23

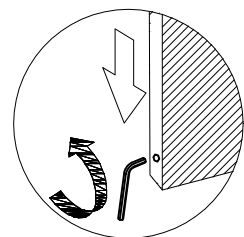
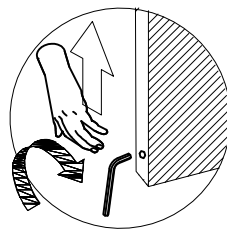


<p>Lx16</p> 	<p>Mx2</p> 	<p>Qx6</p>  <p>M3. 5x16</p>	<p>Rx1</p> 
---	---	--	--

Step 24



Lift the sliding door with your hand,
Turn the wrench clockwise to adjust
it upward, and counterclockwise
to adjust it downward.

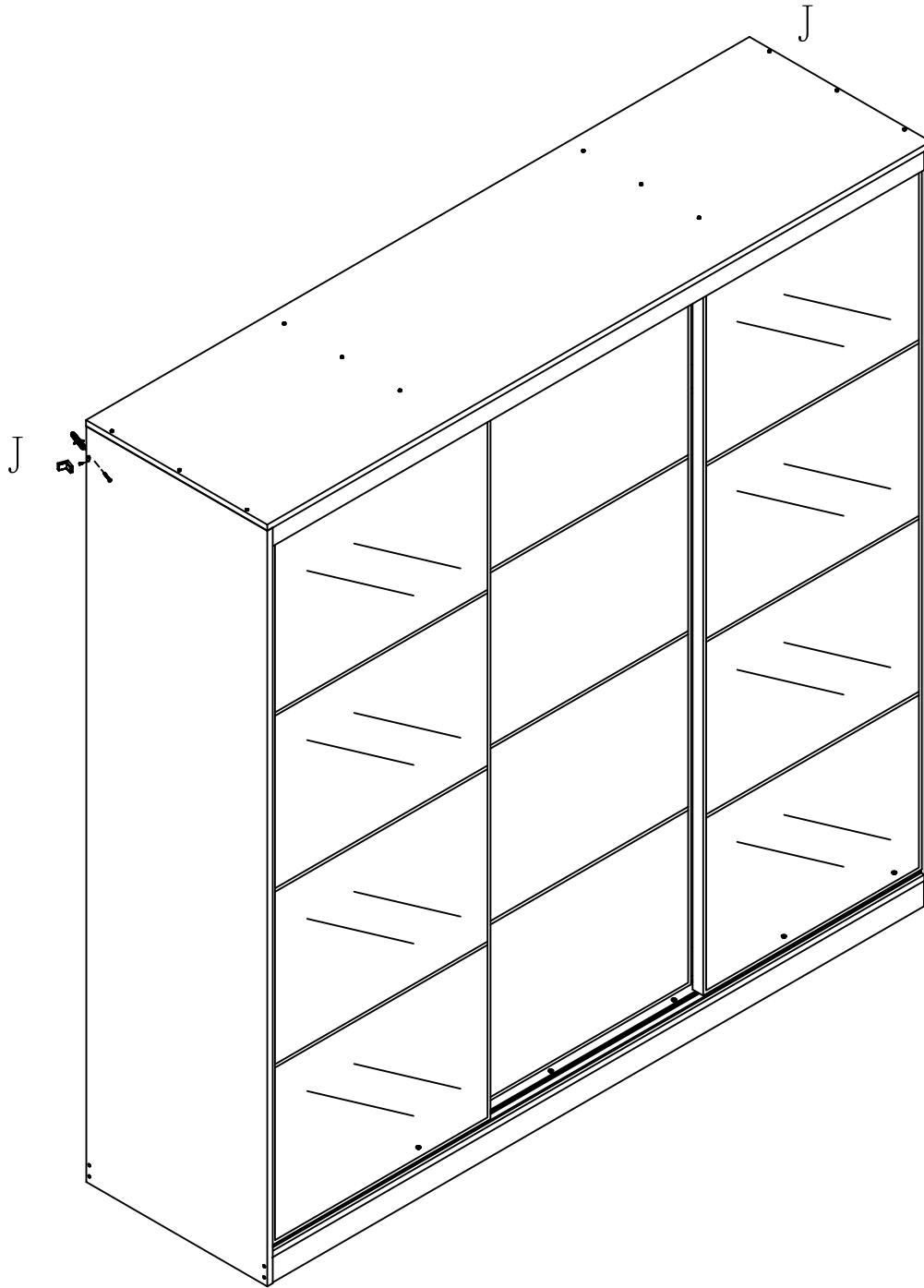


Px1

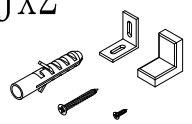


M5

Step 25



Jx2



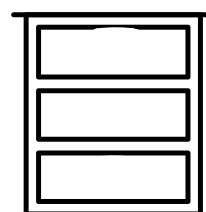
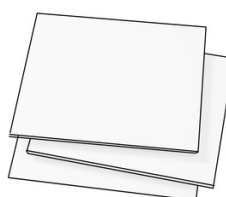
FAQ

Har du spørsmål? Ta kontakt på info@flexiform.no eller finn mer informasjon på flexiform.no eller flexislide.no

Do you have any questions? Contact us at info@flexiform.no or find more information at flexiform.no or flexislide.no.

Scan qr koden nedenfor for ekstra veiledning.

Scan the QR code below for additional guidance.



Ønsker du å oppgradere garderobeskabet ditt med ekstra hyller og skuffer, kan du kjøpe dette hos våre forhandlere.

If you would like to upgrade your wardrobe with additional shelves and drawers, you can purchase these from our retailers.