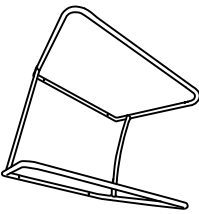
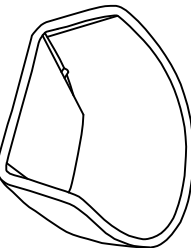
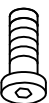

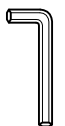


| NO. | PART LIST | QTY/ PCS |
|-----|---|-------------|
| A |  | 1PC |
| B |  | 1PC |
| C |  | 4PCS |
| D |  | 4PCS |
| E |  | 1PC |

