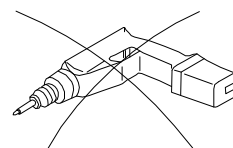
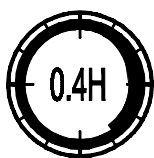
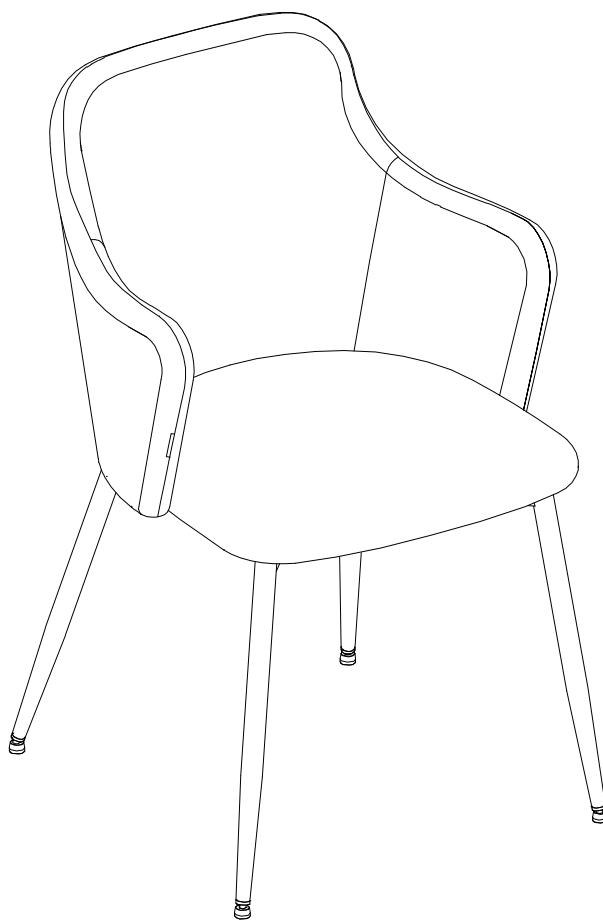
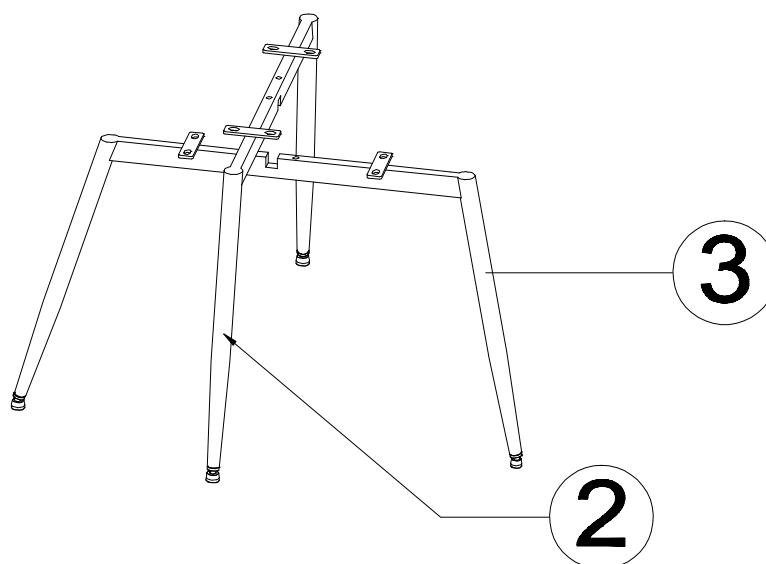
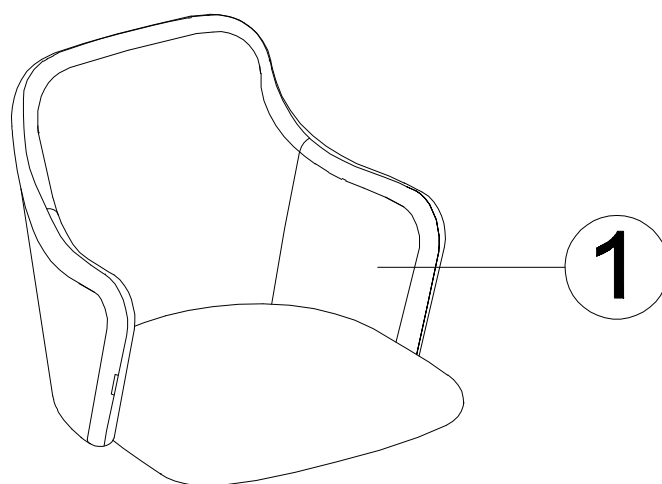


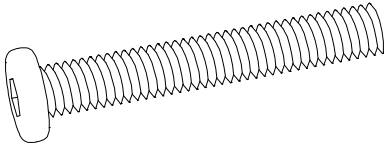
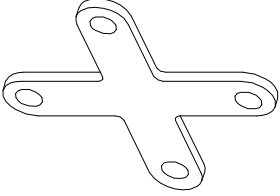
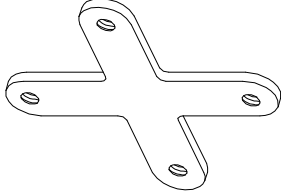
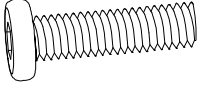
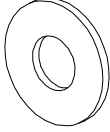
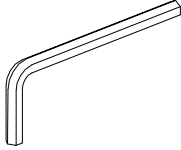
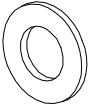

ILSA



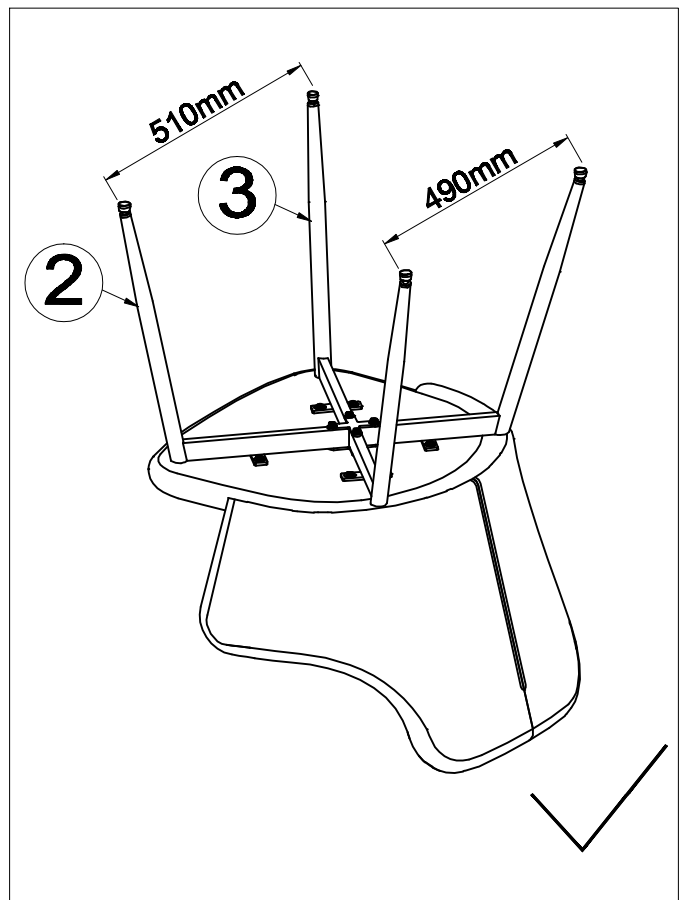
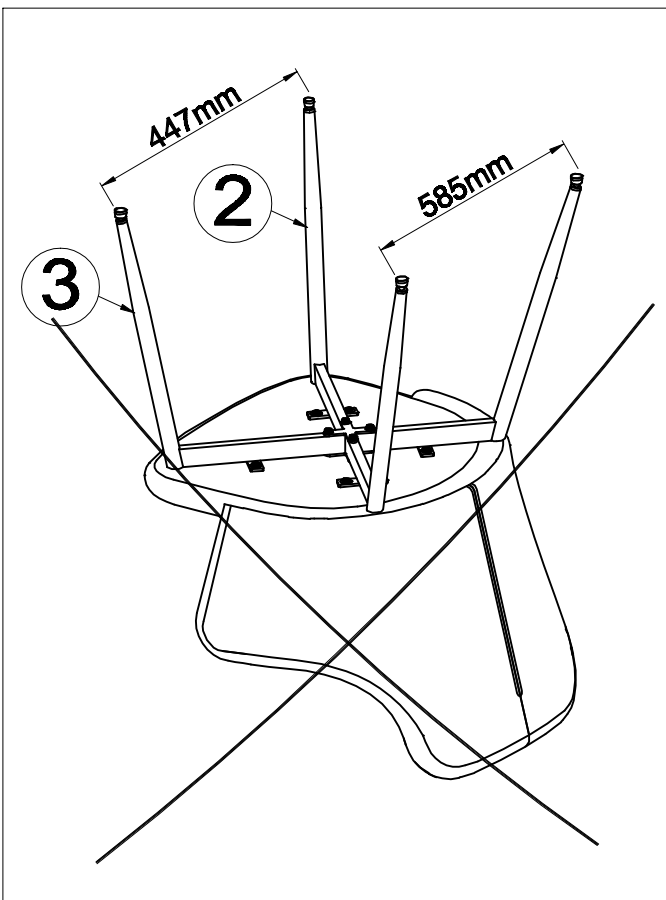
05/01/2023

①	1	565X580X415	
②	1	720X435X75	
③	1	720X435X75	









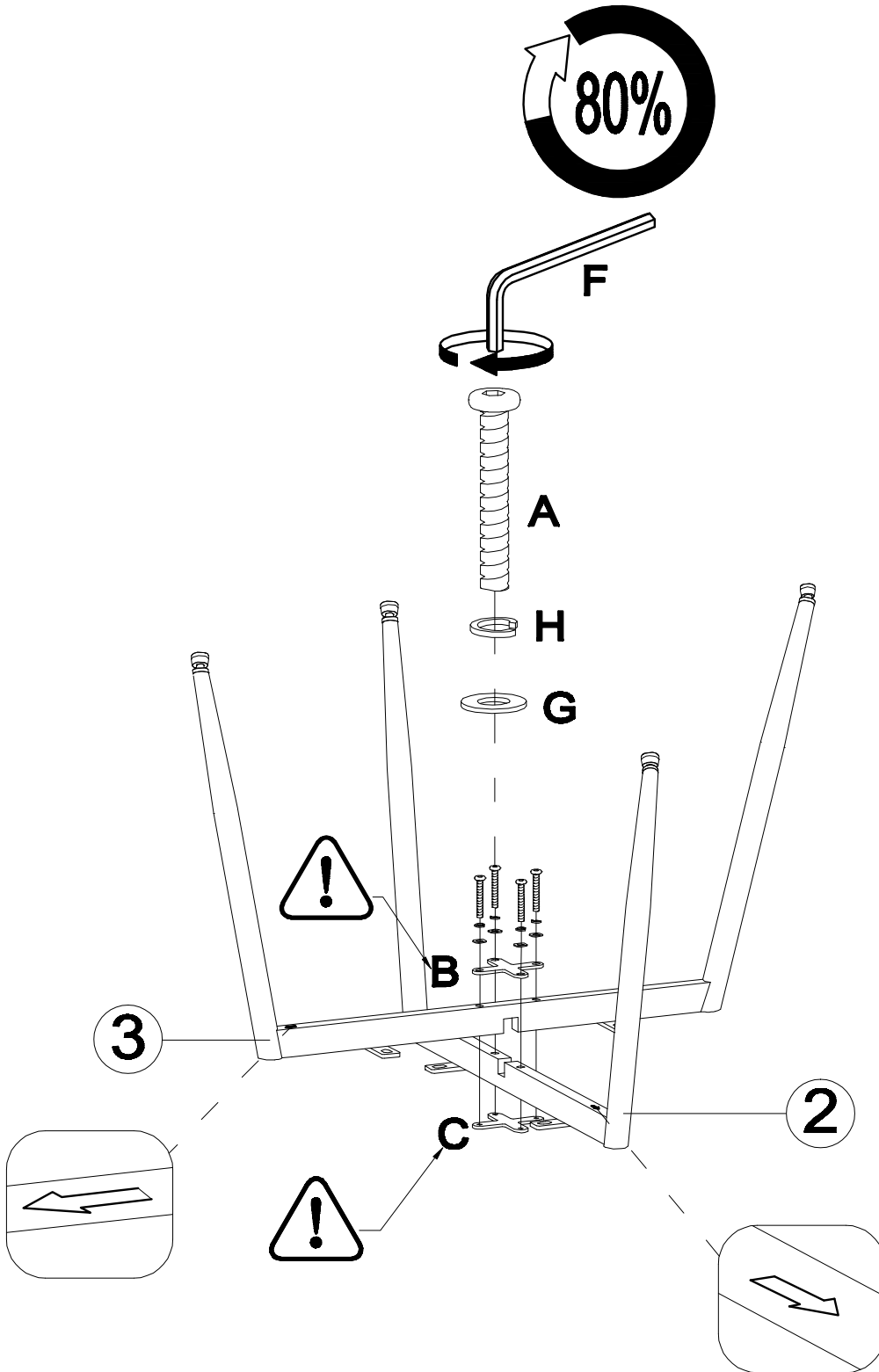
<p>AX4</p>  <p>M6X40mm</p>	<p>BX1</p>  <p>79X79X3mm</p>	<p>CX1</p>  <p>79X79X3mm</p>
<p>DX8</p>  <p>M6X18mm</p>	<p>EX8</p>  <p>Ø6XØ18mm</p>	<p>FX1</p>  <p>4mm</p>
<p>GX4</p>  <p>Ø6XØ14mm</p>	<p>HX4</p>  <p>Ø6mm</p>	

1



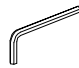


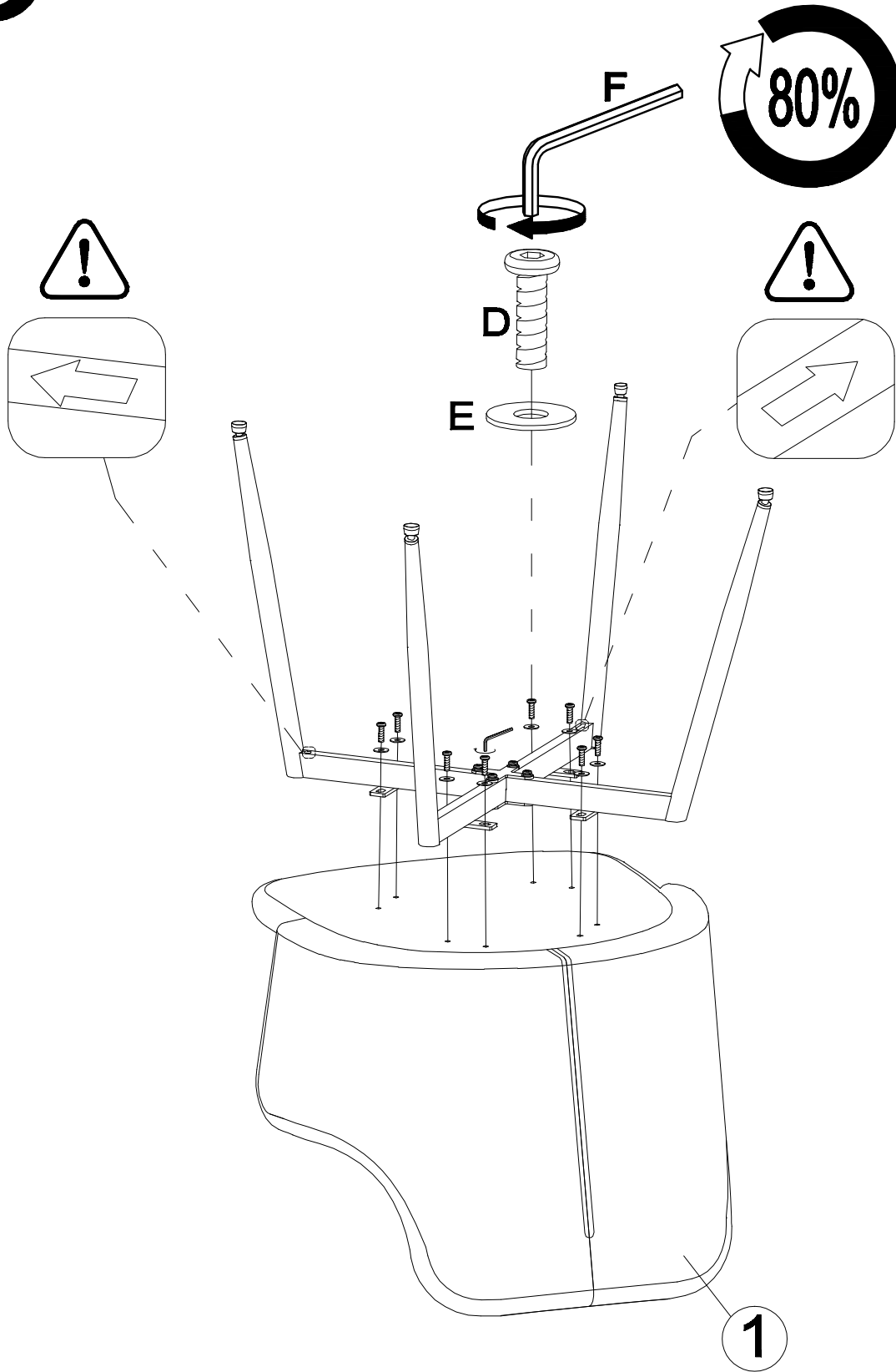
2

AX4  M6X40mm	BX1  79X79X3mm	CX1  79X79X3mm	FX1  4mm	GX4  Ø6XØ14mm	HX4  Ø6
--	--	--	--	---	---



3

DX8	EX8	FX1
		
M6X18mm	Ø6XØ18mm	4mm



4

