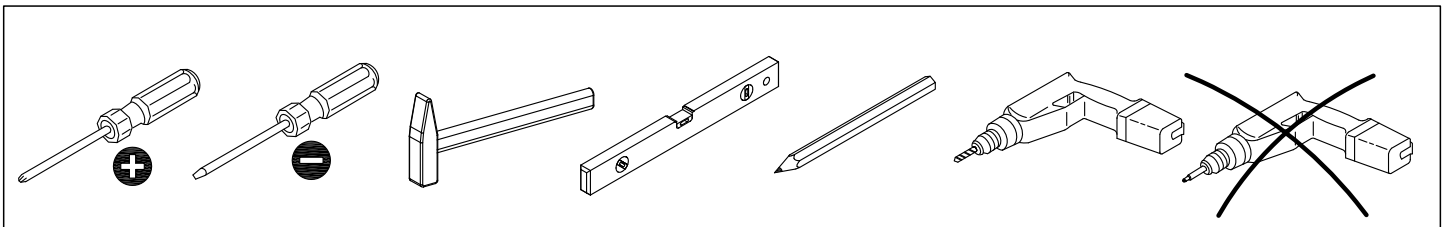
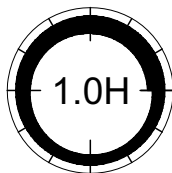
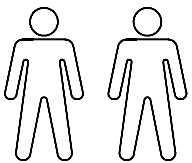
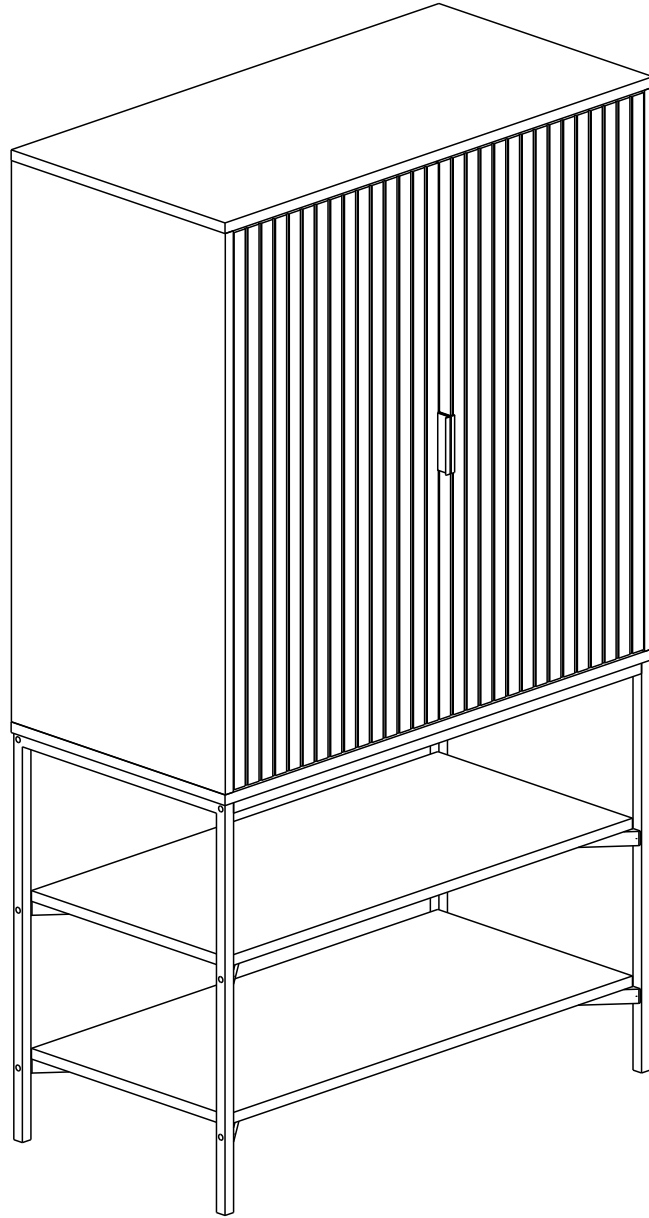
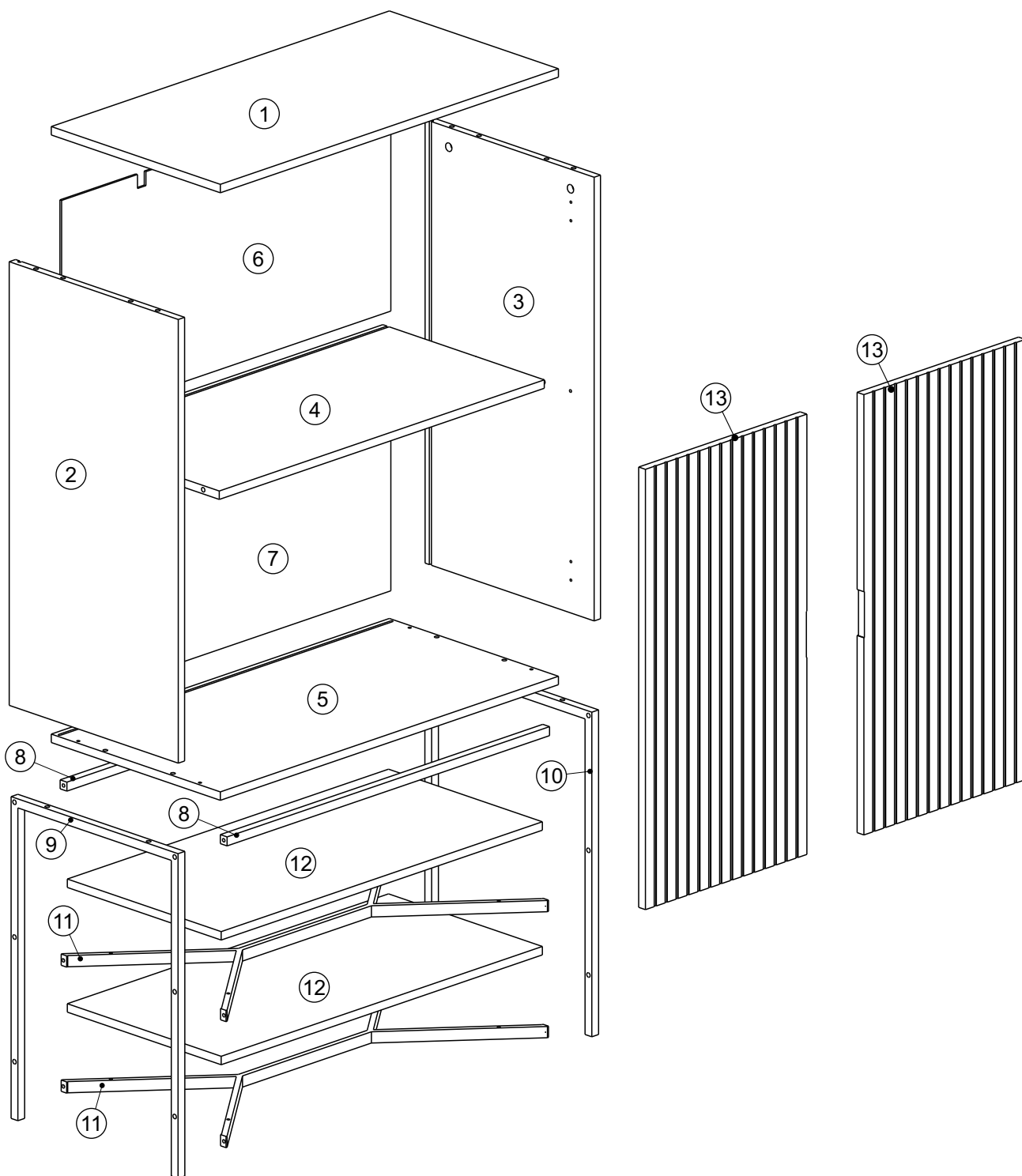


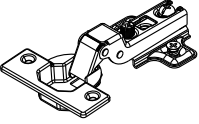
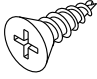
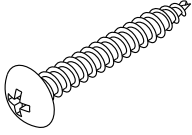
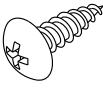
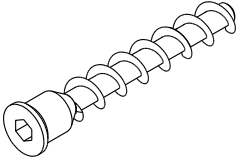
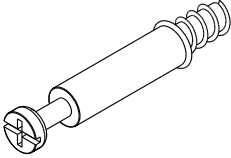
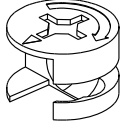
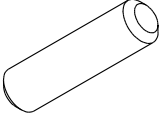
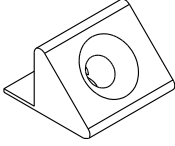
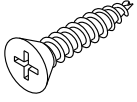
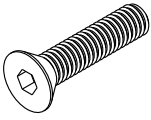
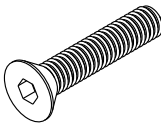
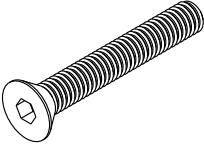
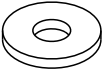
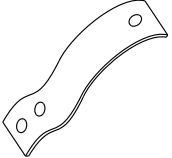
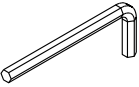

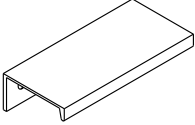
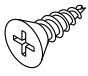

JAIPUR



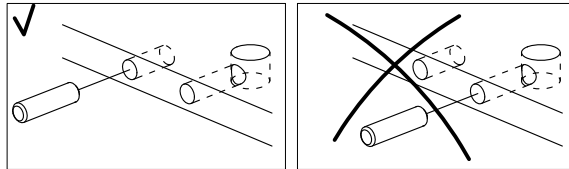
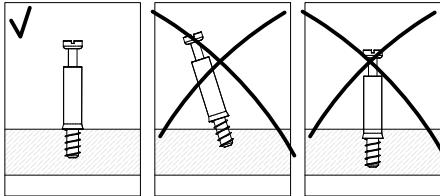
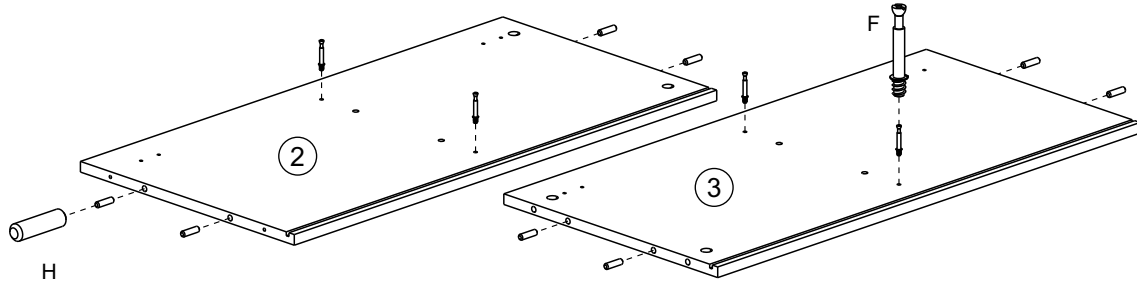
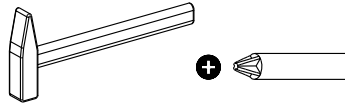
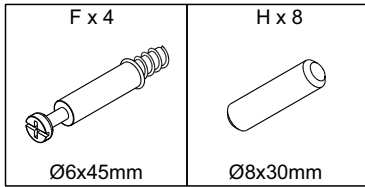
			✓
①	1	800x400x15mm	
②	1	790x400x15mm	
③	1	790x400x15mm	
④	1	769x382x15mm	
⑤	1	800x400x15mm	
⑥	1	779x396x4mm	

			✓
⑦	1	779x396x4mm	
⑧	2	764x16x16mm	
⑨	1	580x395x16mm	
⑩	1	580x395x16mm	
⑪	2	764x392x20mm	
⑫	2	760x363x15mm	
⑬	2	784x380x16mm	

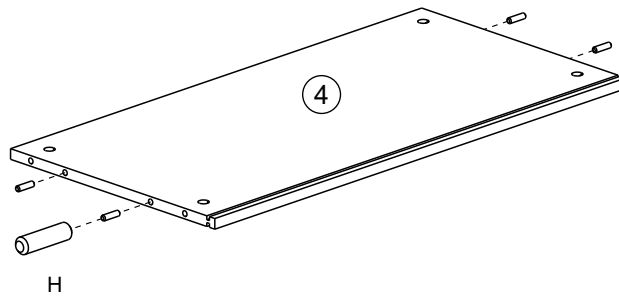
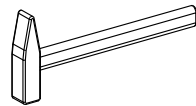
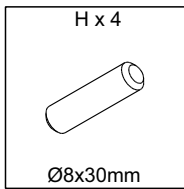


<p>A x 4</p>  <p>Ø35/FK17mm</p>	<p>B x 16</p>  <p>Ø5x16mm</p>	<p>C x 8</p>  <p>Ø4x30mm</p>	<p>D x 4</p>  <p>Ø4x14mm</p>	<p>E x 4</p>  <p>Ø5x45mm</p>
<p>F x 8</p>  <p>Ø6x45mm</p>	<p>G x 8</p>  <p>Ø15x12mm</p>	<p>H x 12</p>  <p>Ø8x30mm</p>	<p>J x 8</p>  <p>15x13x10mm</p>	<p>K x 8</p>  <p>Ø3.5x20mm</p>
<p>L x 8</p>  <p>M6x22mm</p>	<p>M x 4</p>  <p>M6x25mm</p>	<p>N x 4</p>  <p>M6x35mm</p>	<p>P x 6</p>  <p>Ø4/Ø13mm</p>	<p>Q x 2</p> 
<p>R x 1</p>  <p>4mm</p>	<p>S x 1</p>  <p>3mm</p>	<p>T x 2</p>  <p>80x38x19mm</p>	<p>U x 4</p>  <p>Ø3.5x12mm</p>	<p>V x 4</p>  <p>Ø21mm</p>

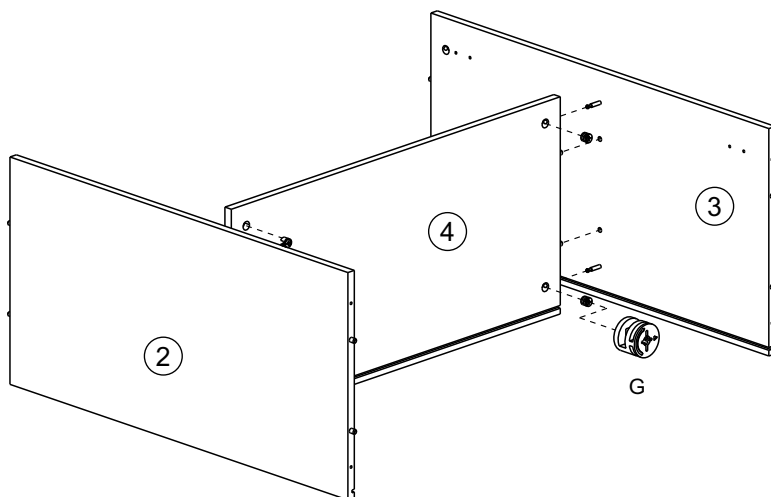
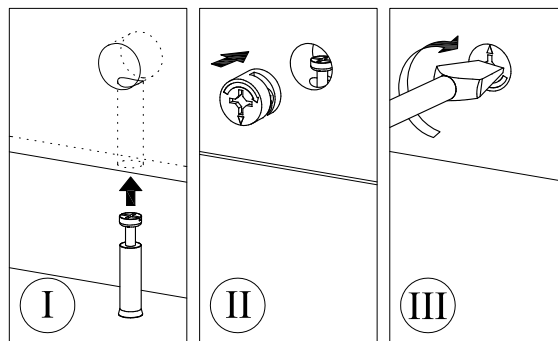
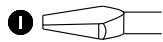
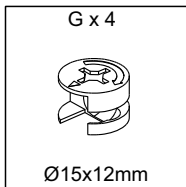
1



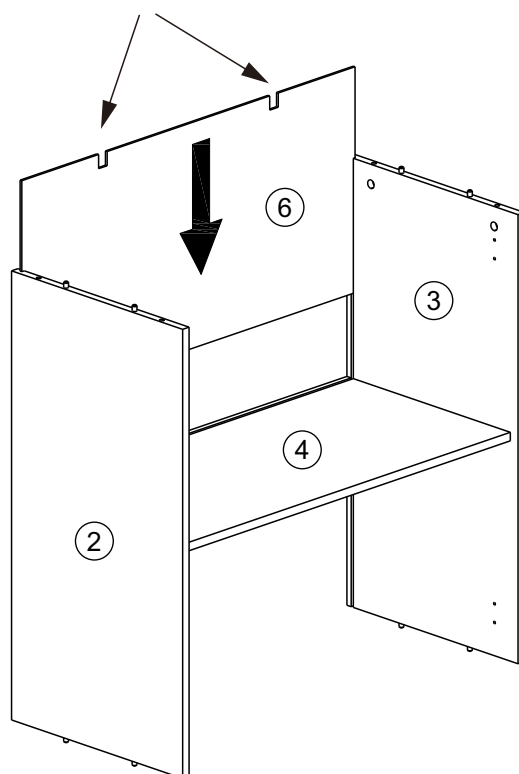
2




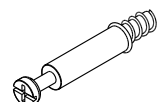
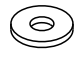
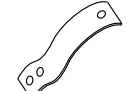
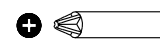
3

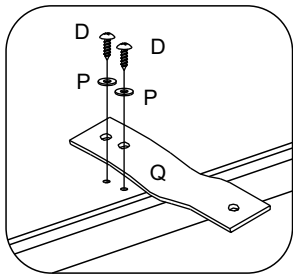
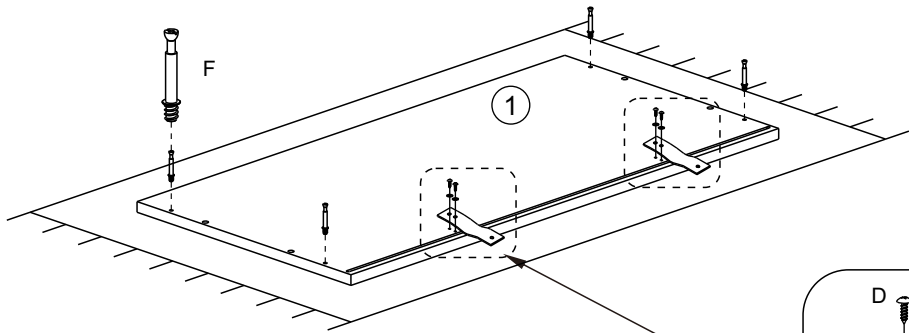





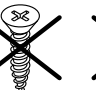

4



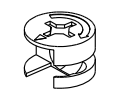
5

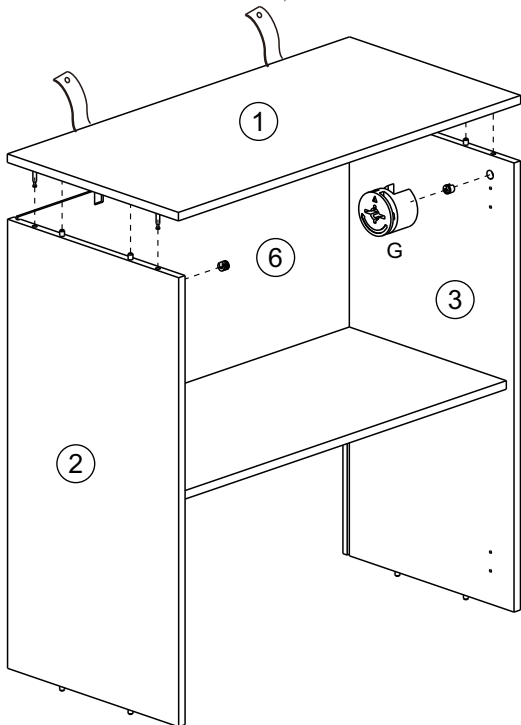
D x 4  Ø4x14mm	F x 4  Ø6x45mm	P x 4  Ø4/Ø13mm	Q x 2  20x200mm	
---	---	--	--	--



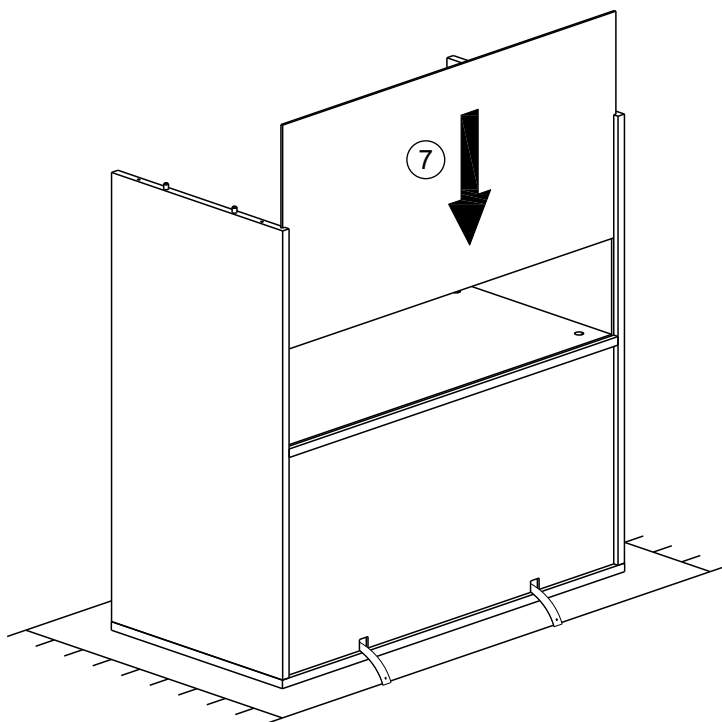
	B  Ø5x16mm	D  Ø4x14mm	K  Ø3.5x20mm	U  Ø3.5x12mm
--	---	---	---	---

6

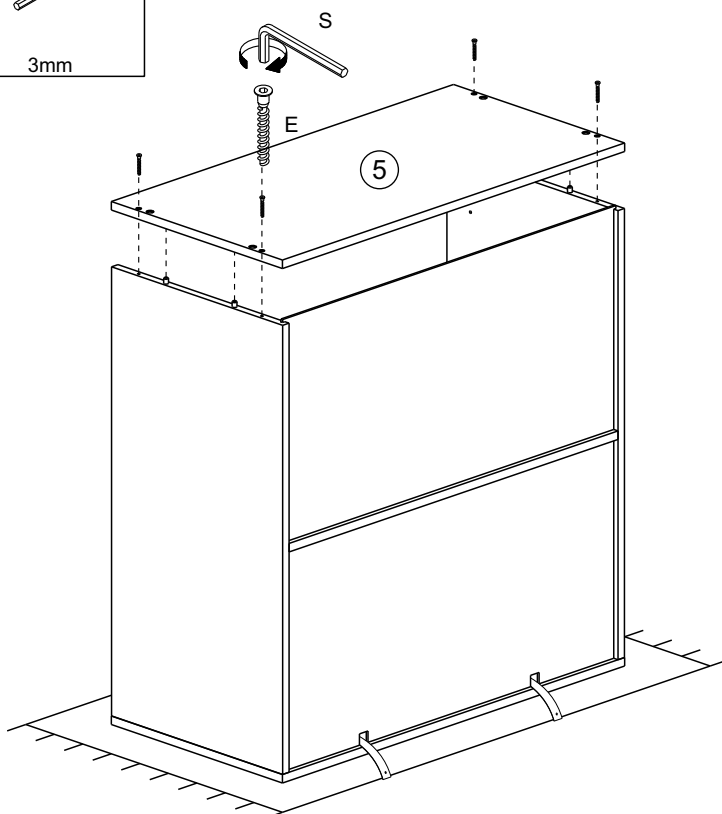
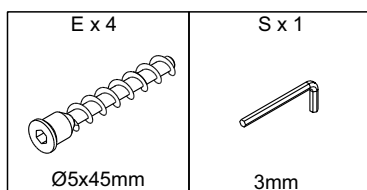
G x 4  Ø15x12mm
--



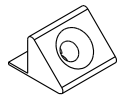

7

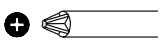


8

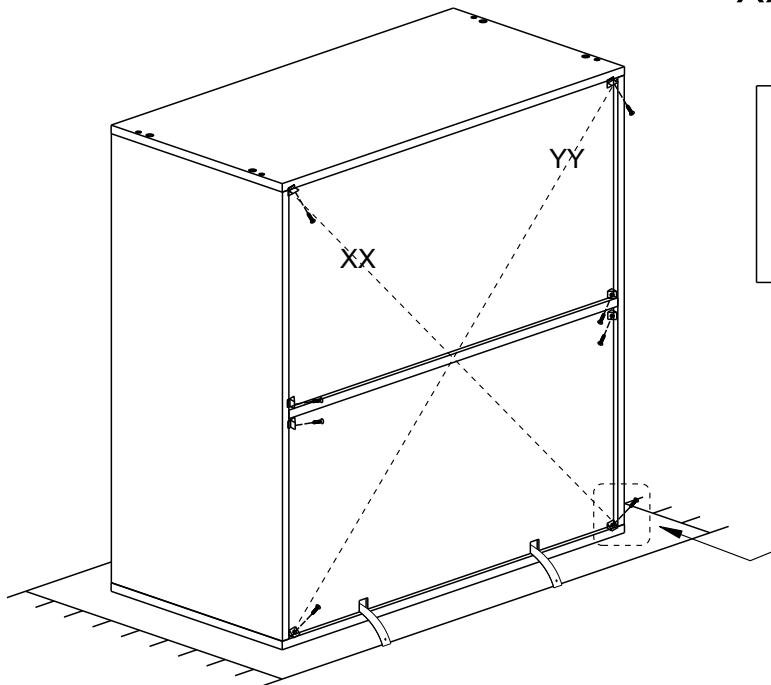






9

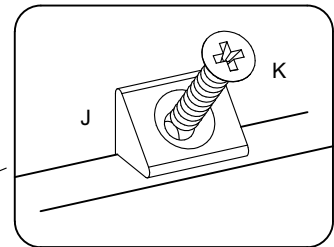
J x 8  15x13x10mm	K x 8  Ø3.5x20mm
--	---



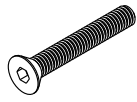


XX=YY

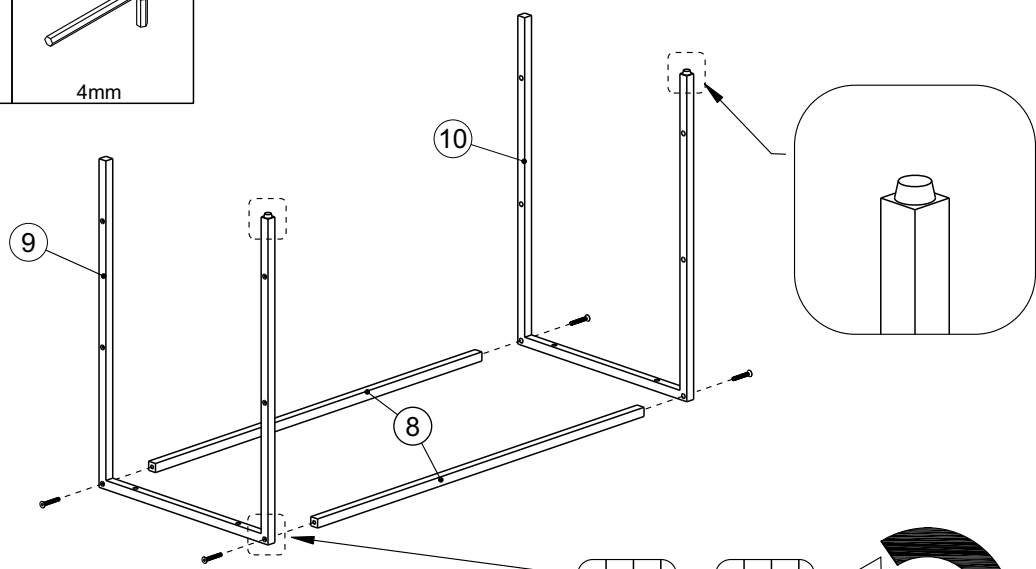






	B  Ø5x16mm	K  Ø3.5x20mm	U  Ø3.5x12mm
--	---	---	---

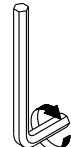

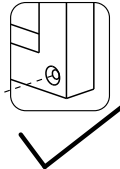
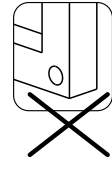
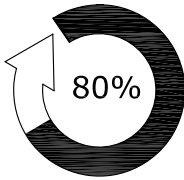


10

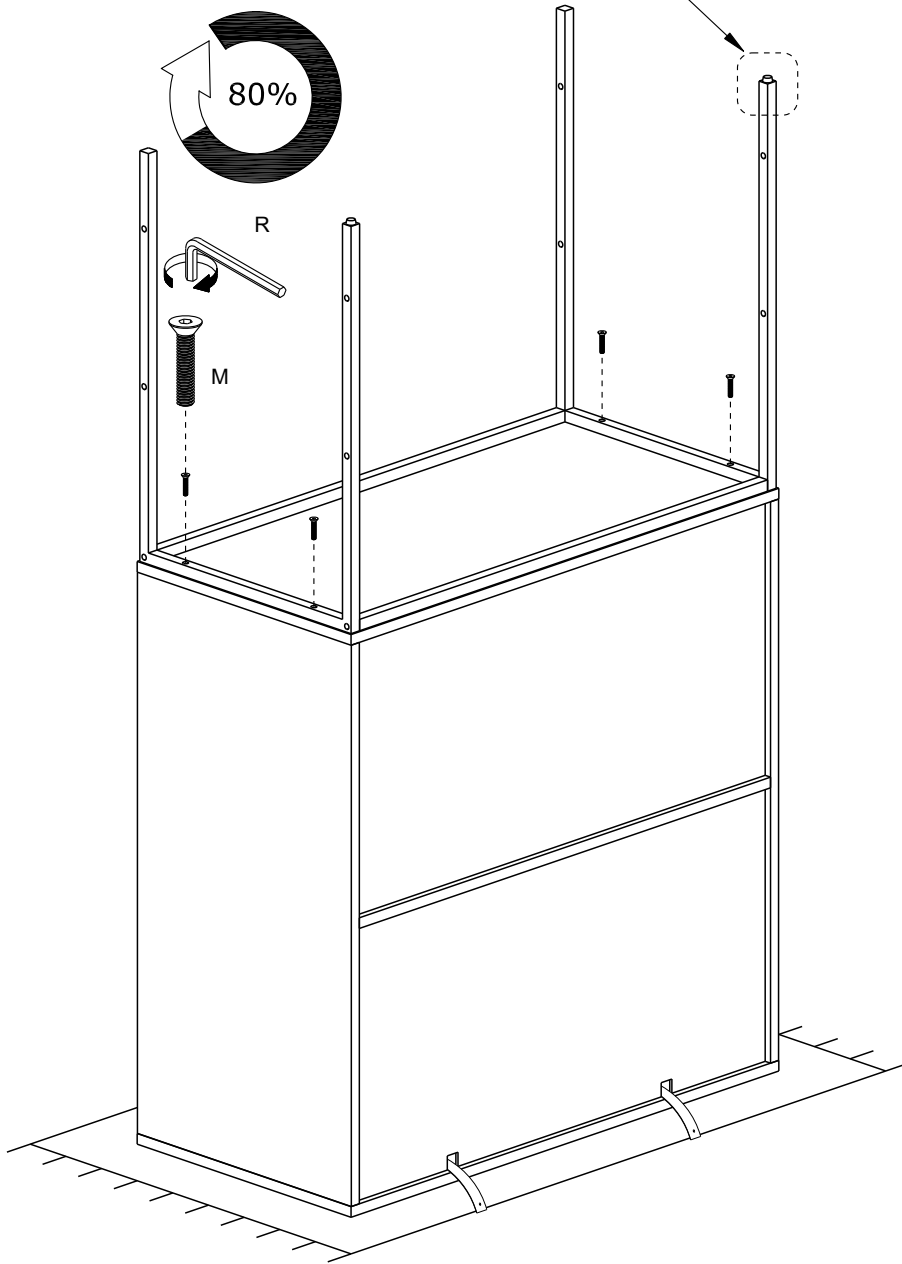
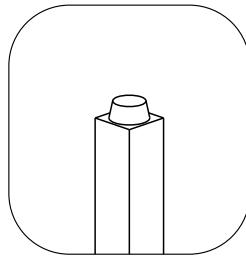
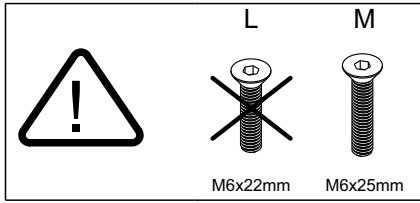
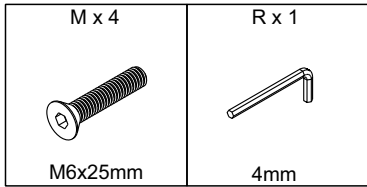
N x 4  M6x35mm	R x 1  4mm
---	---



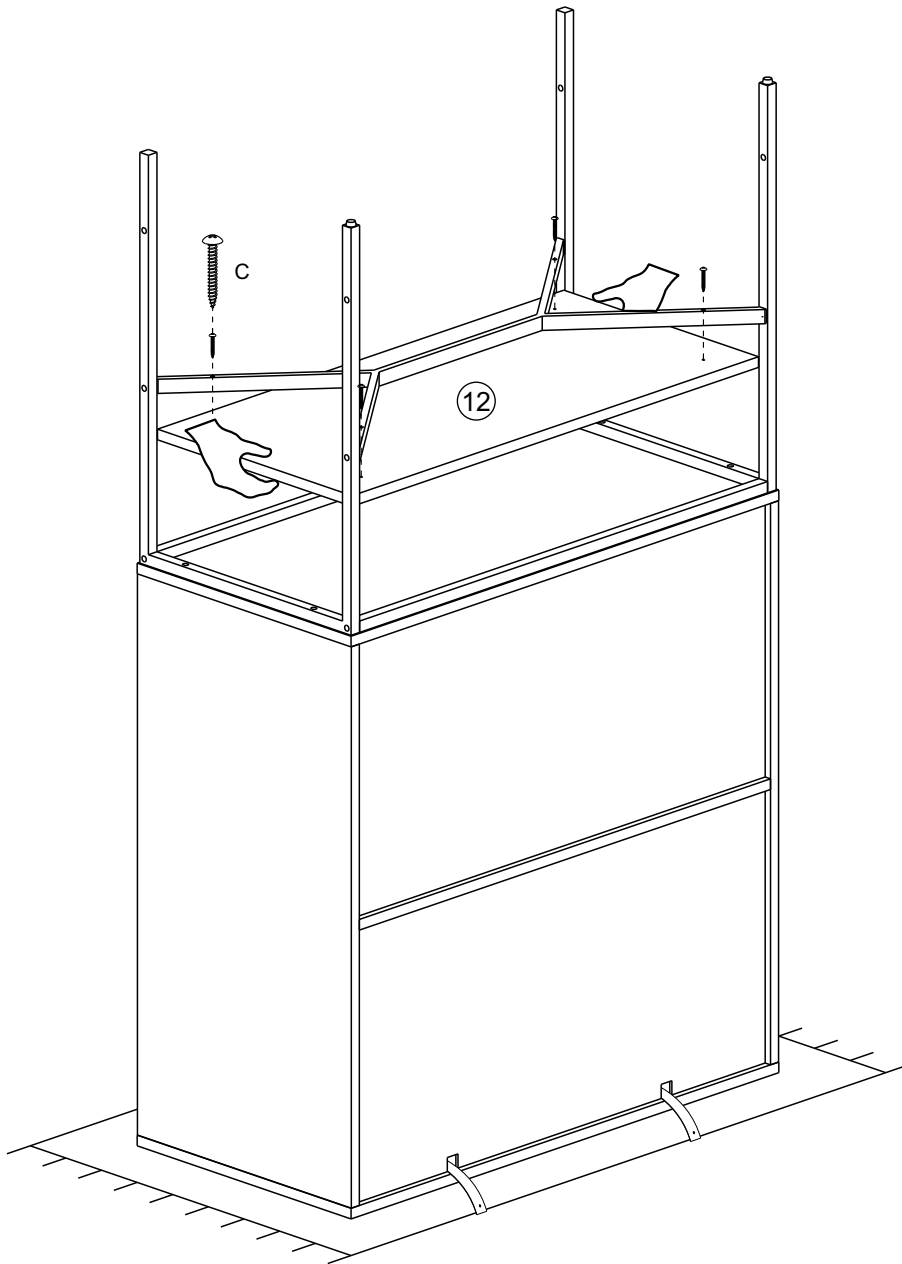
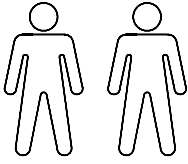
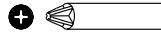
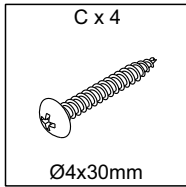
	L  M6x22mm	M  M6x25mm	N  M6x35mm
---	---	---	---

R  N    

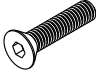

11

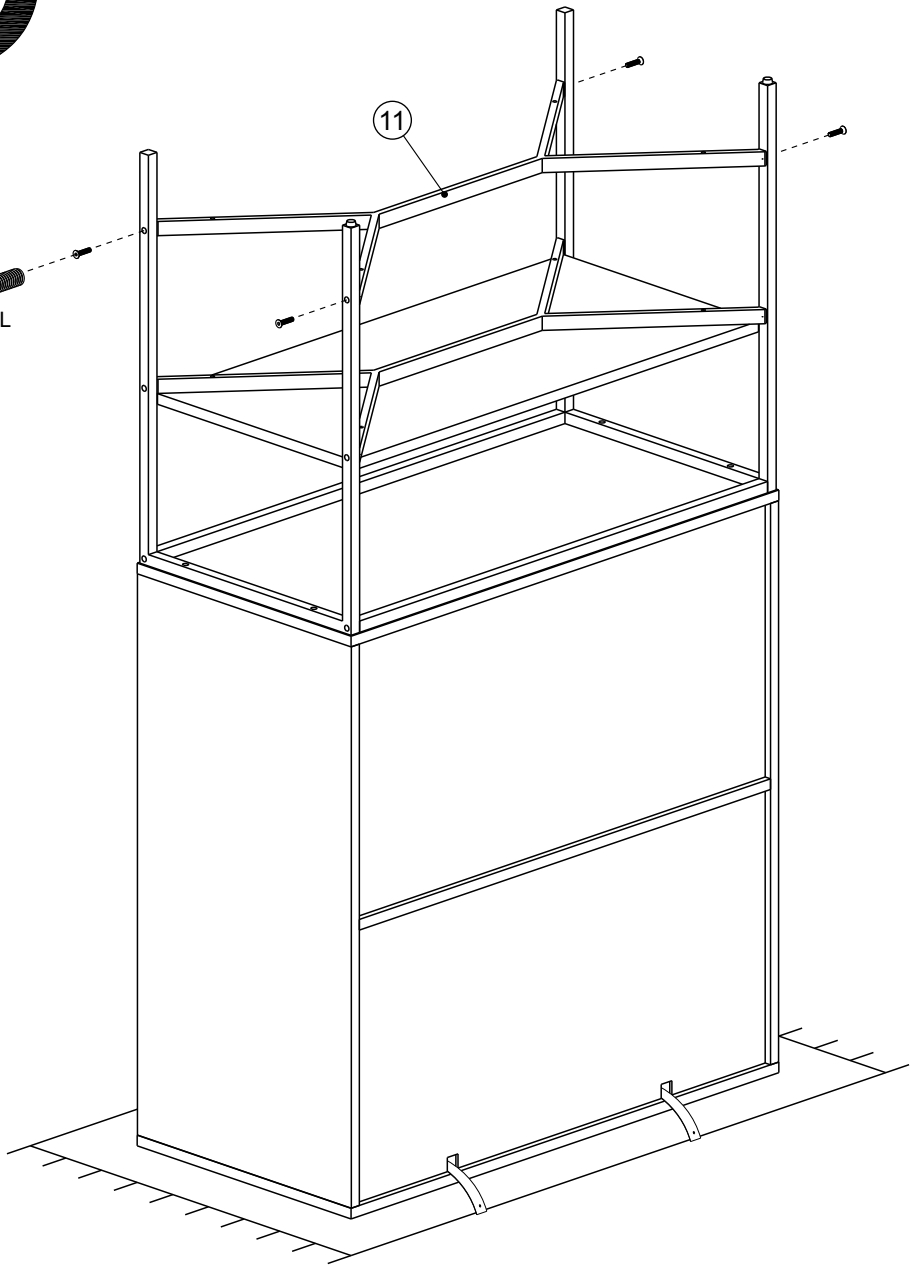
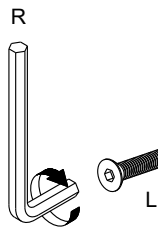
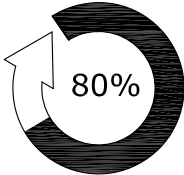
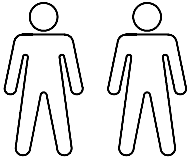


13

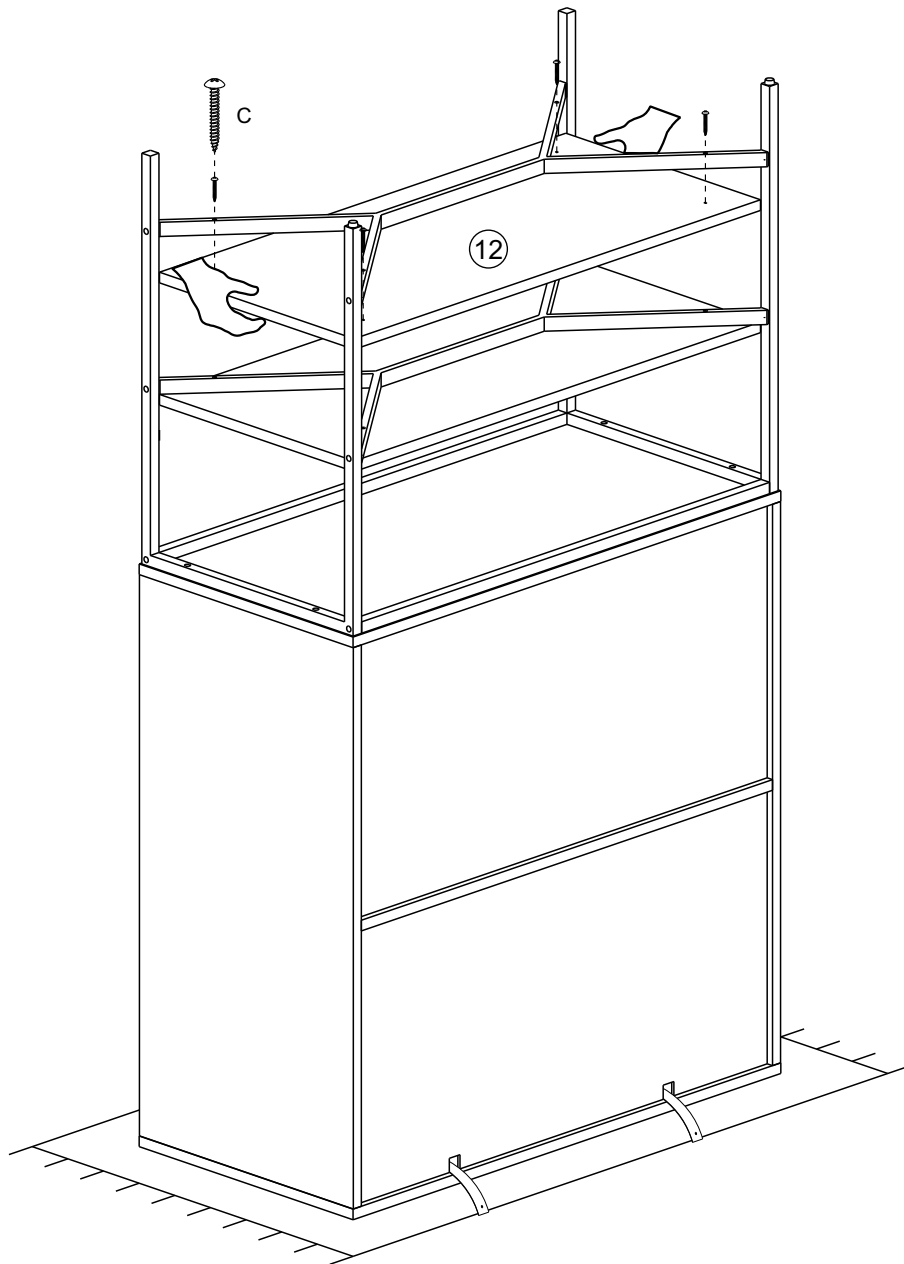
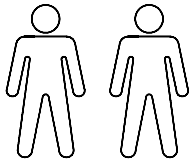
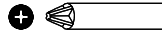
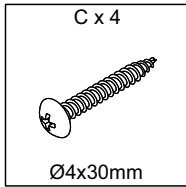


14

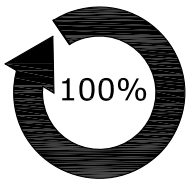
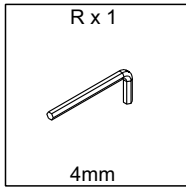
L x 4  M6x22mm	R x 1  4mm
---	---



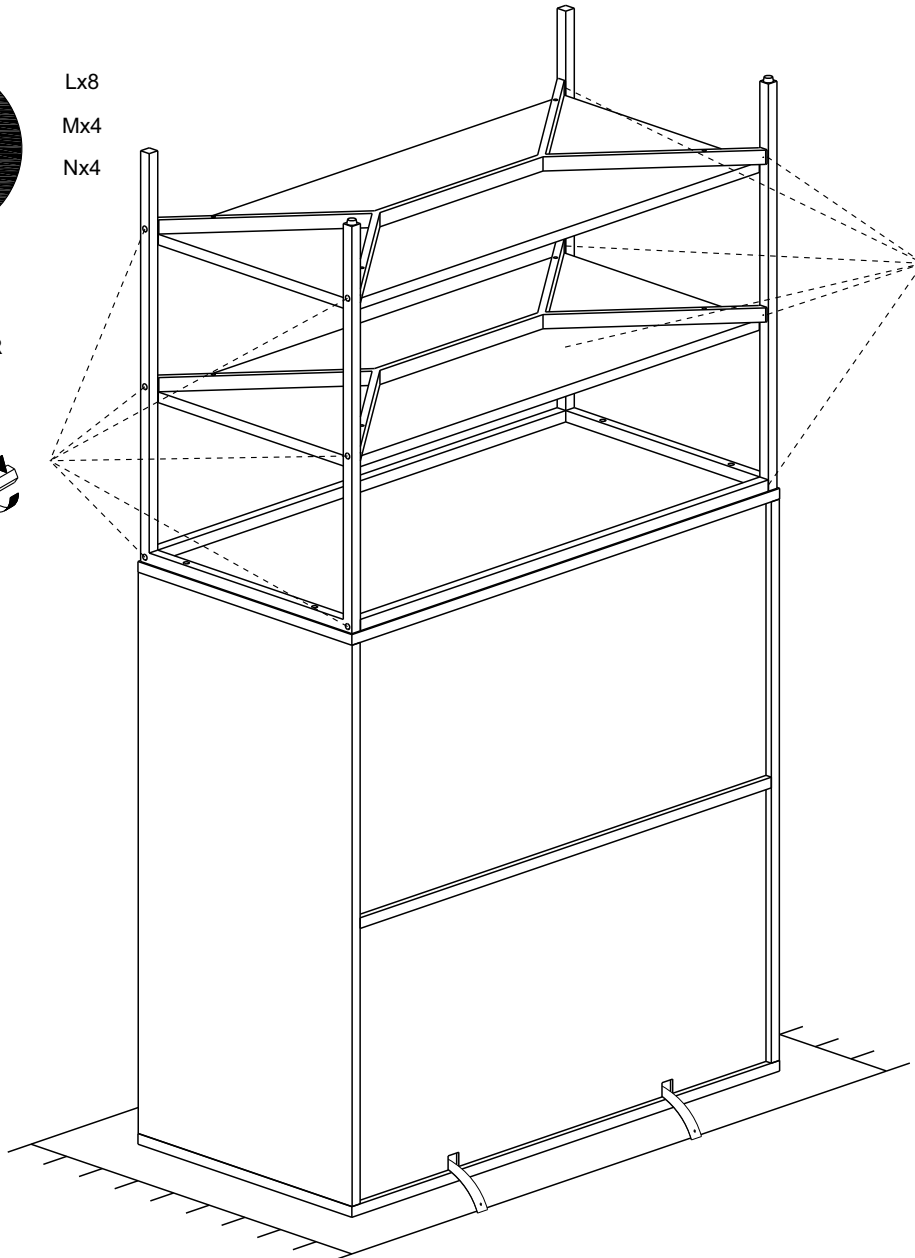
15



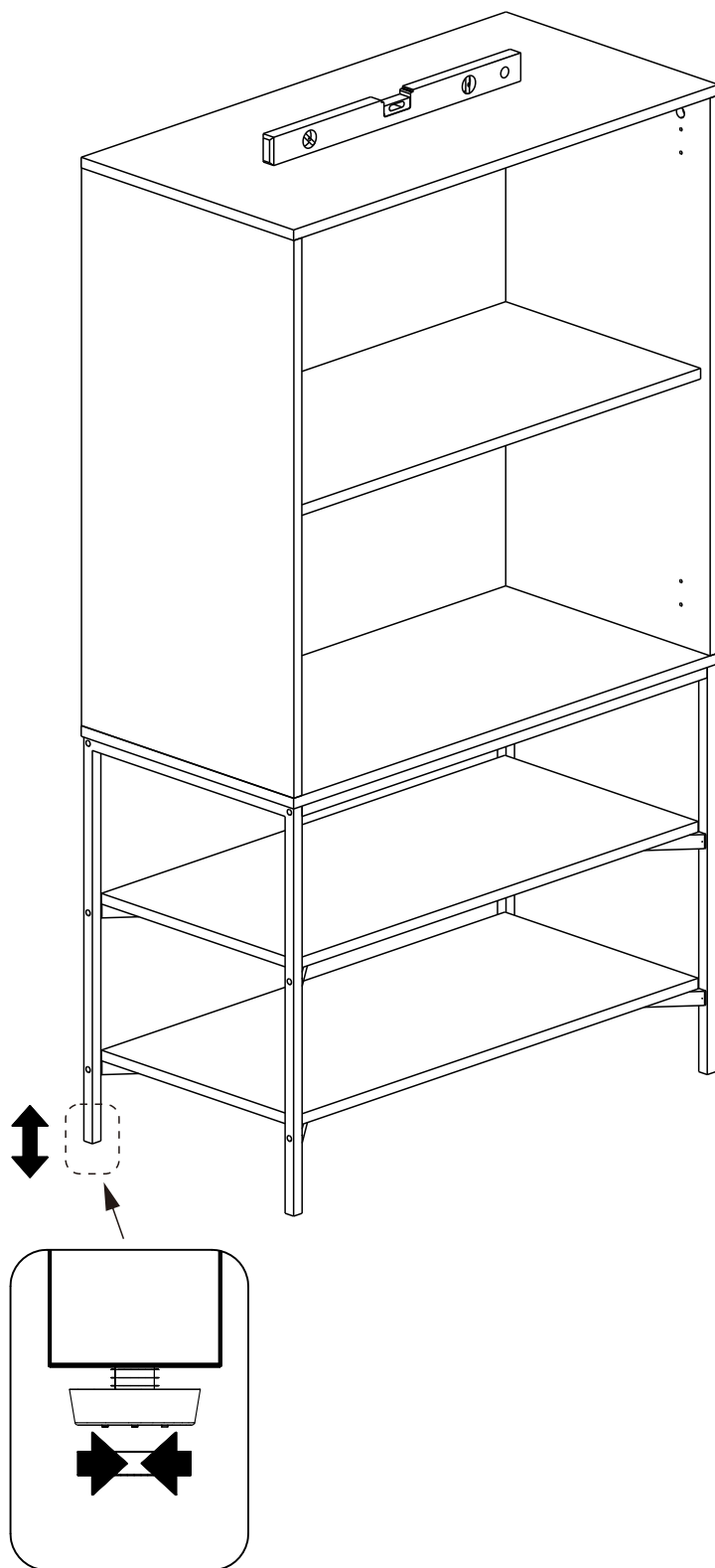
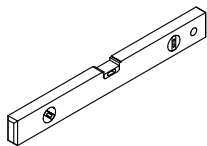
16





Lx8
Mx4
Nx4

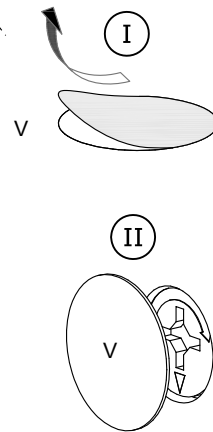
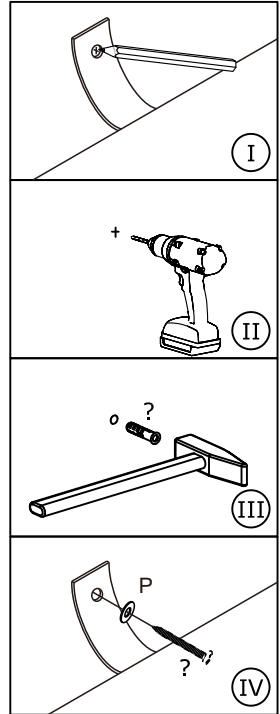
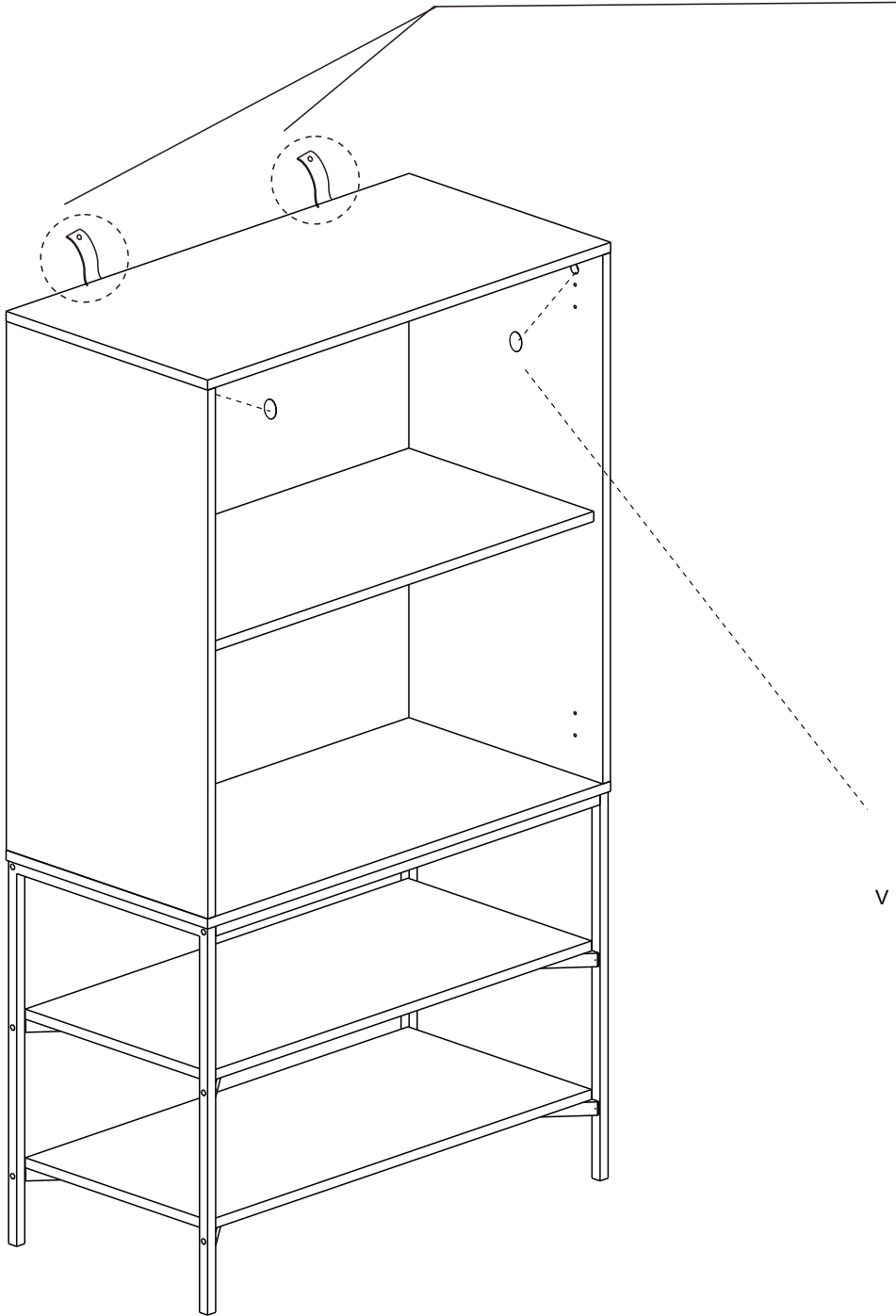
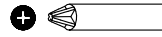
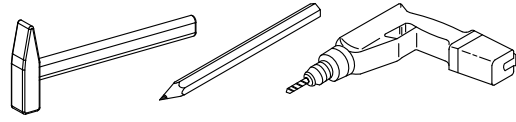


17

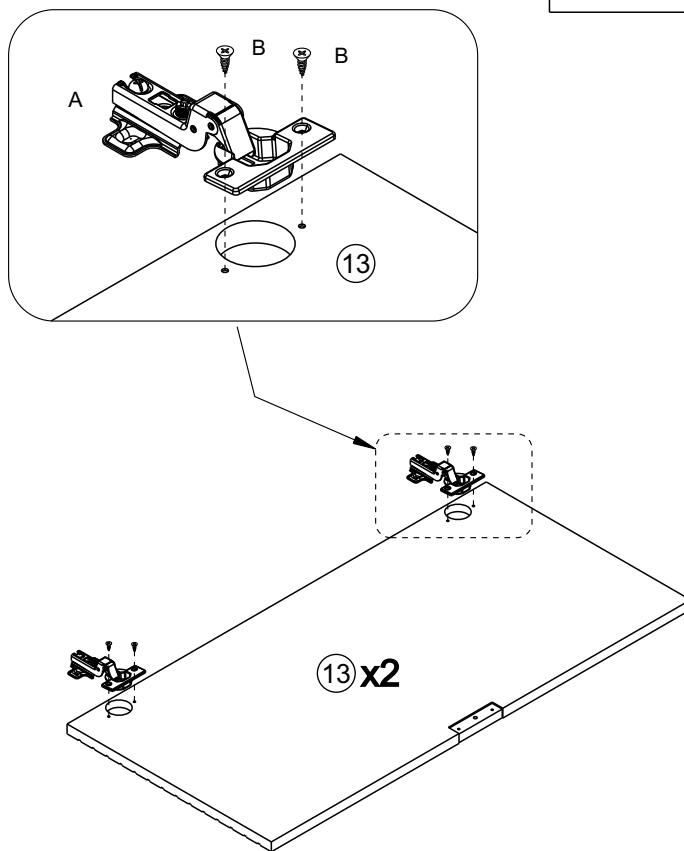
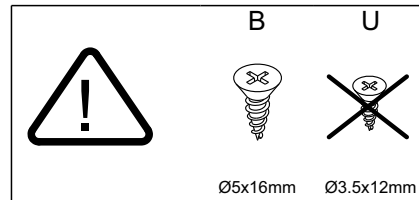
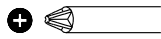
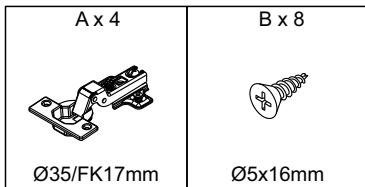


18


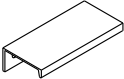

P x 2	V x 4
	
Ø4/Ø13mm	Ø21mm

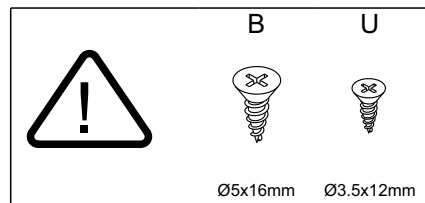
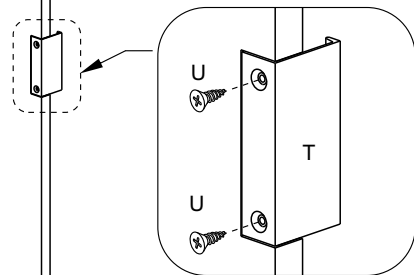
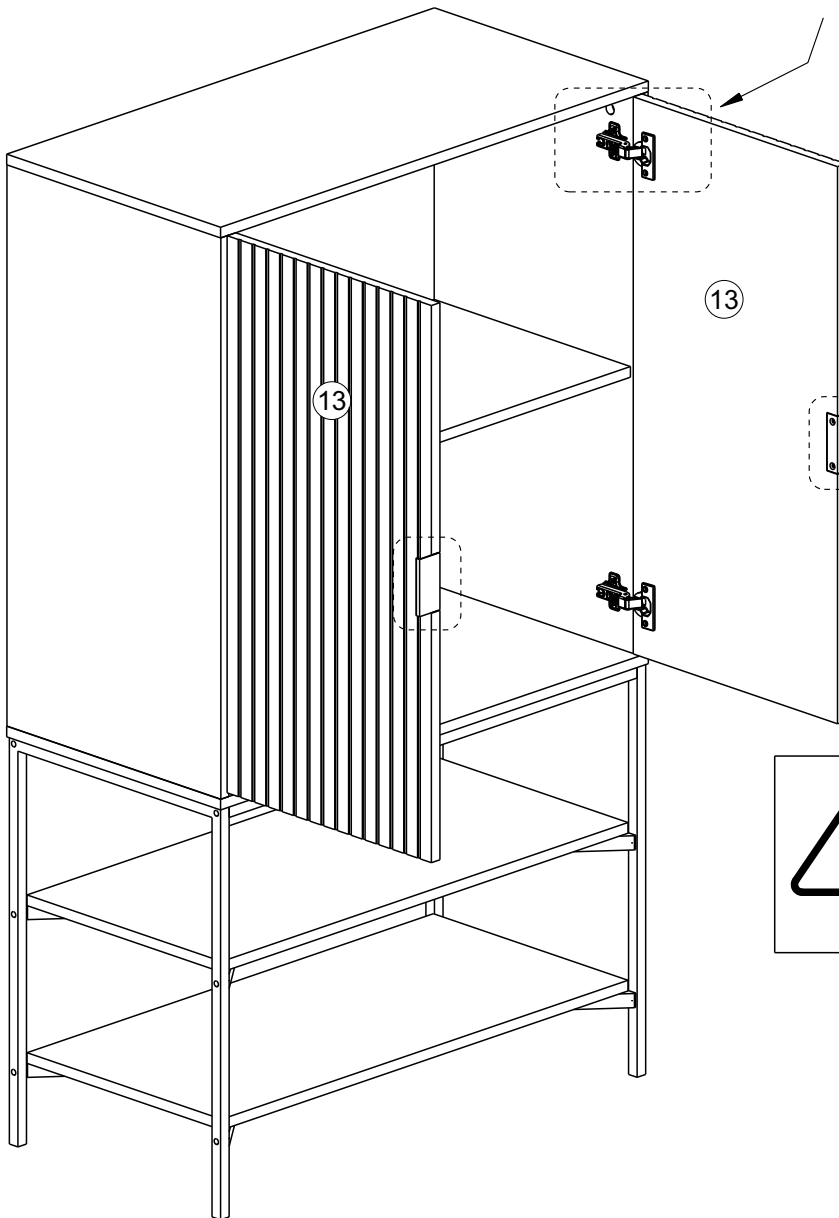
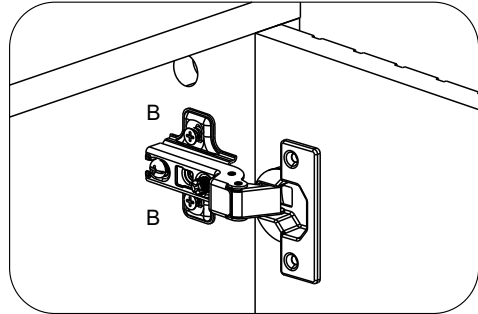
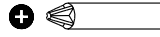


19



20

B x 8  Ø5x16mm	T x 2  80x38x19mm	U x 4  Ø3.5x12mm
---	--	---



21

