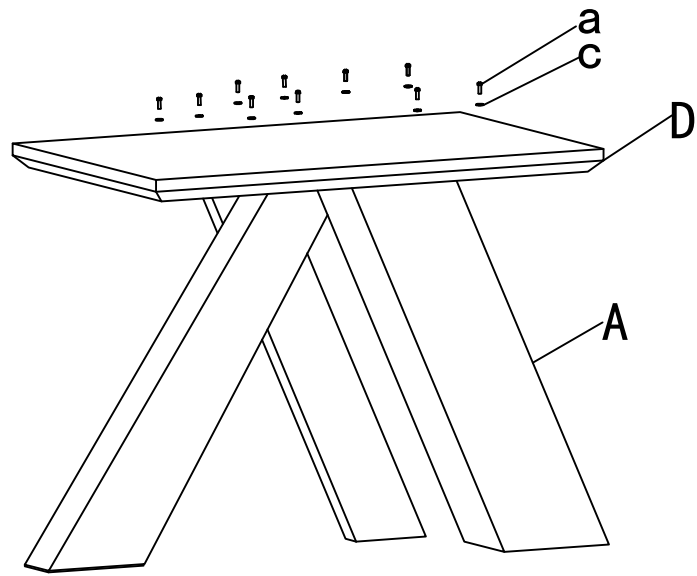


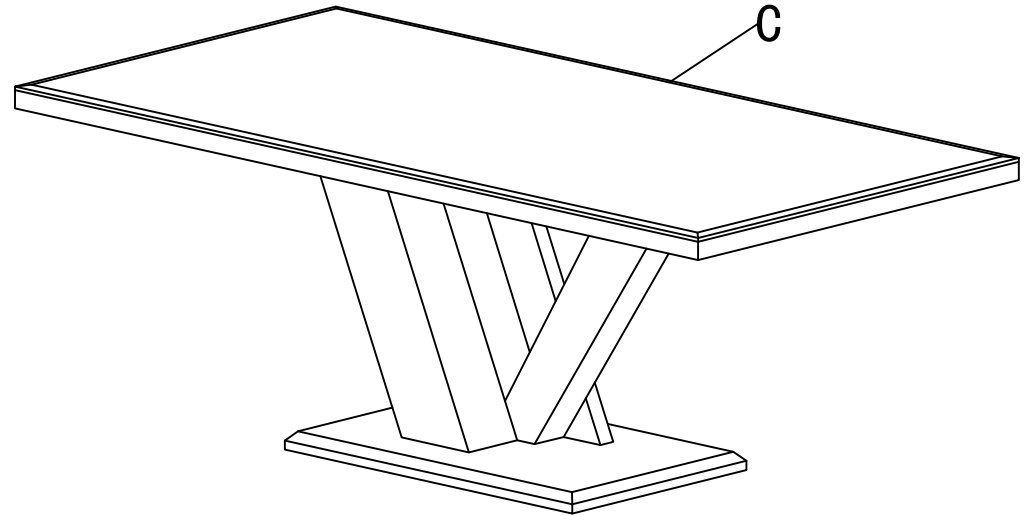
1



USE b

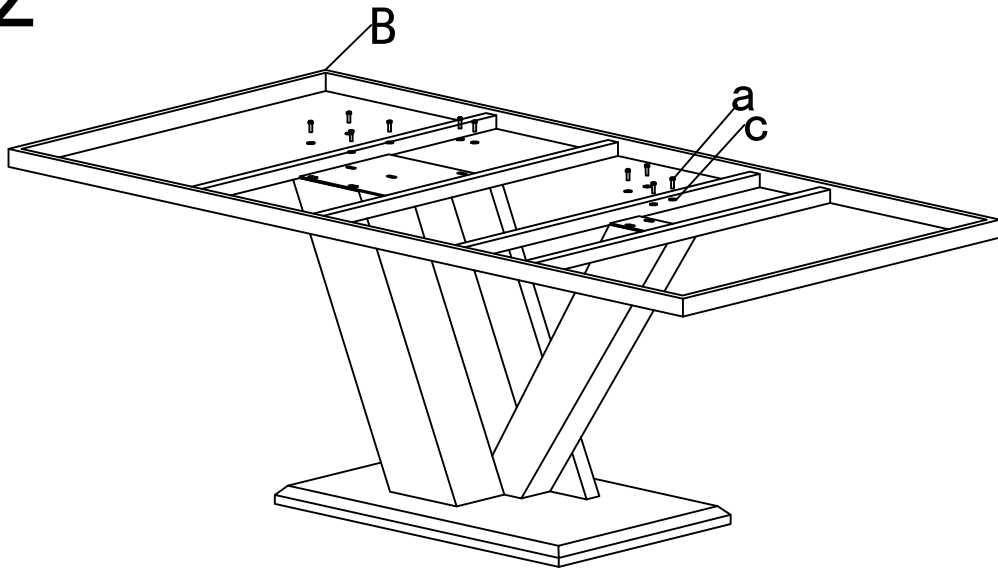


3



FINISH

2


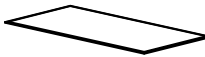







USE b



PRODUCT PARTS

ASSEMBLE PARTS

F				f			
E				e			
D	table base		×1	d			
C	table top		×1	c	shim		×20
B	table frame		×1	b	allen key-M6		×1
A	table leg		×1	a	screw M8*16		×20

SJ218 DINING TABLE INSTALLATION