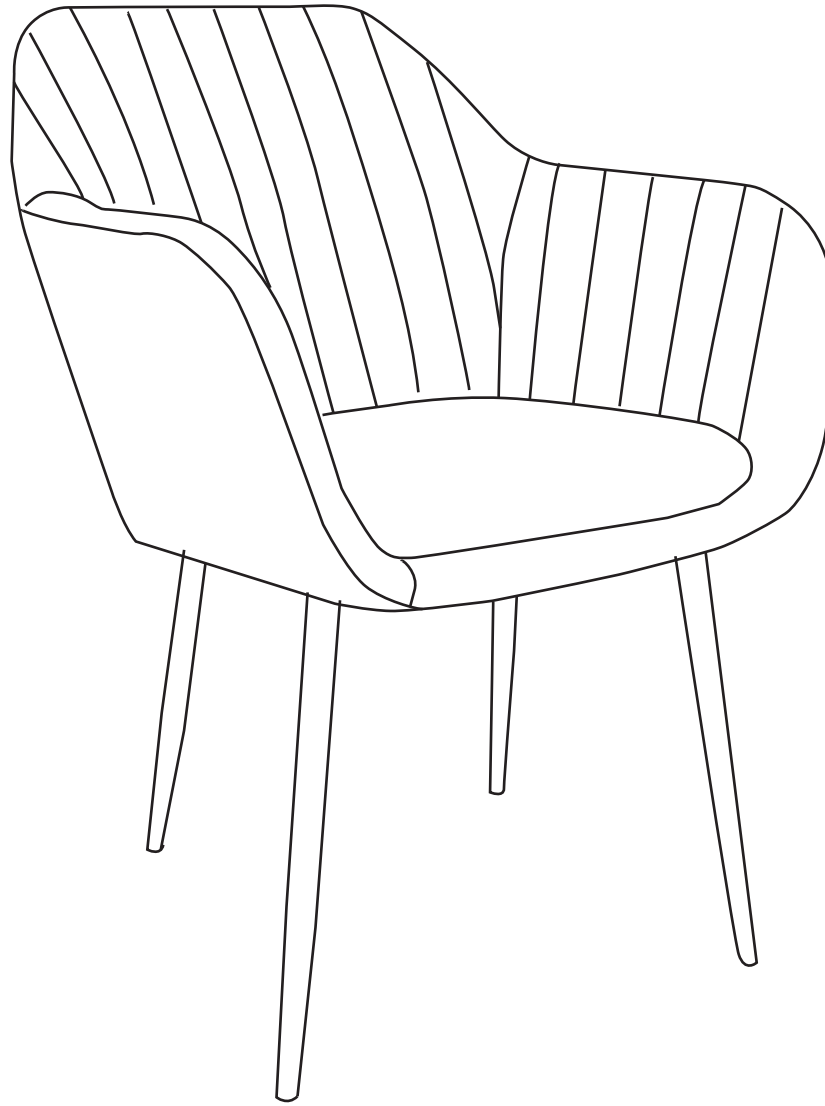

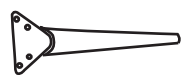









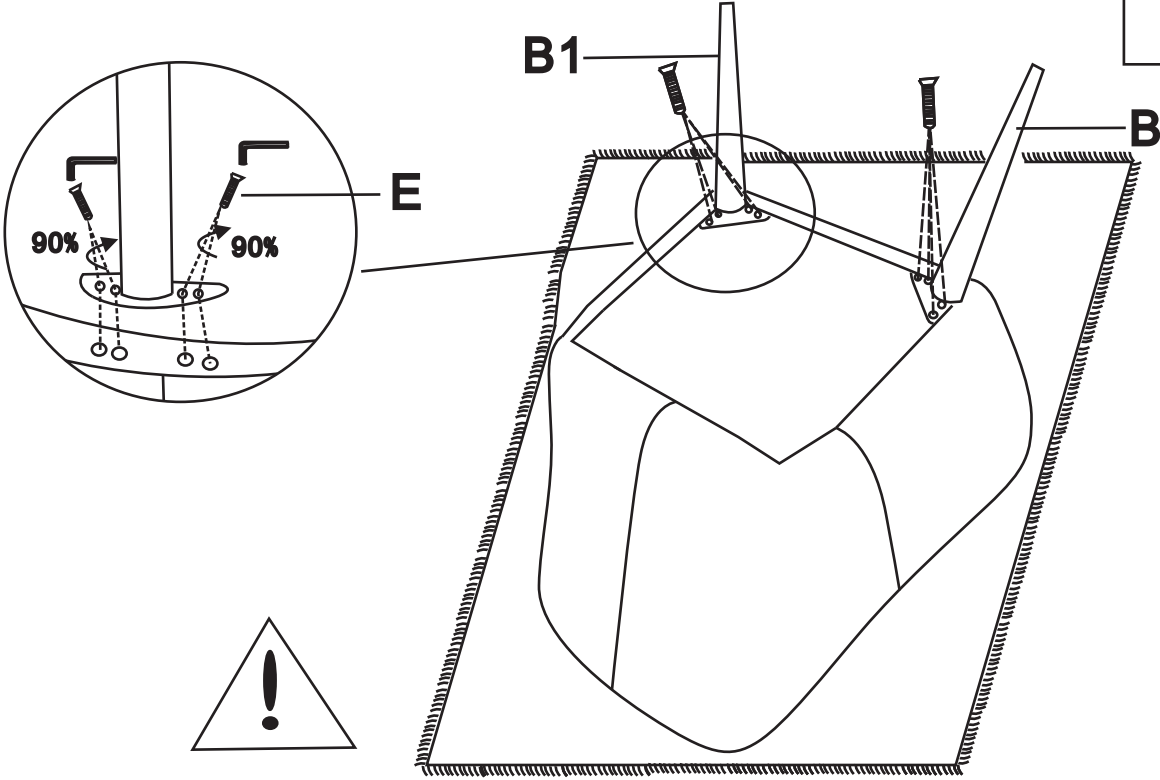
# Emilia





<b>AX1</b> 	<b>B1X1</b> 	<b>BX1</b> 	<b>CX1</b> 	<b>DX1</b> 	<b>EX16</b>  M6*14	<b>FX1</b> 
--	--	---	--	---	---	---

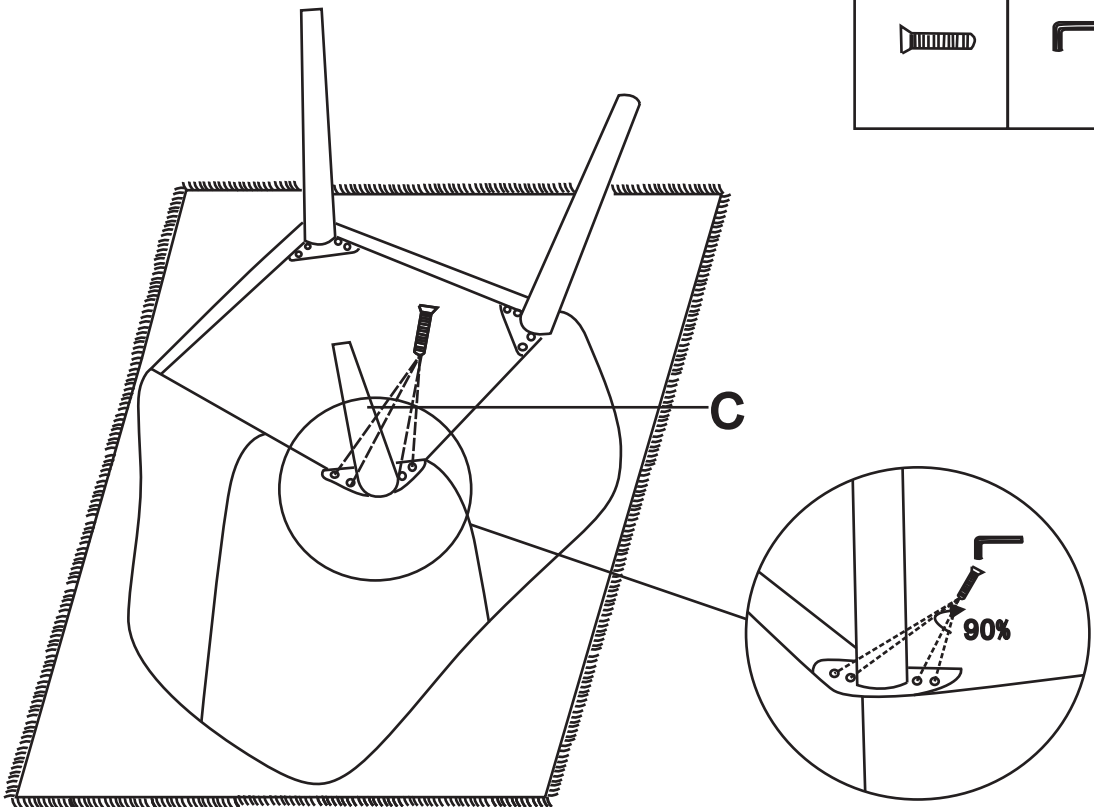
**1**

<b>EX8</b> 	<b>Fx1</b> 
---	---



**2**

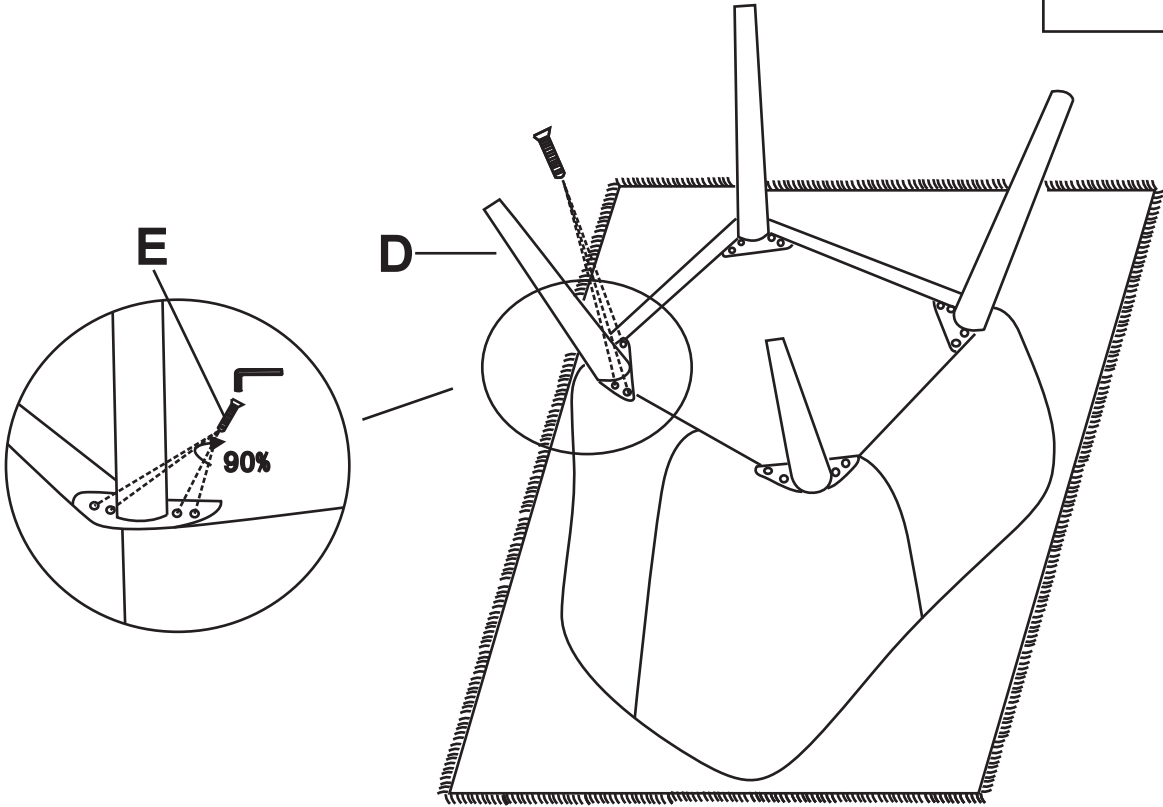
<b>EX4</b> 	<b>Fx1</b> 
---	---



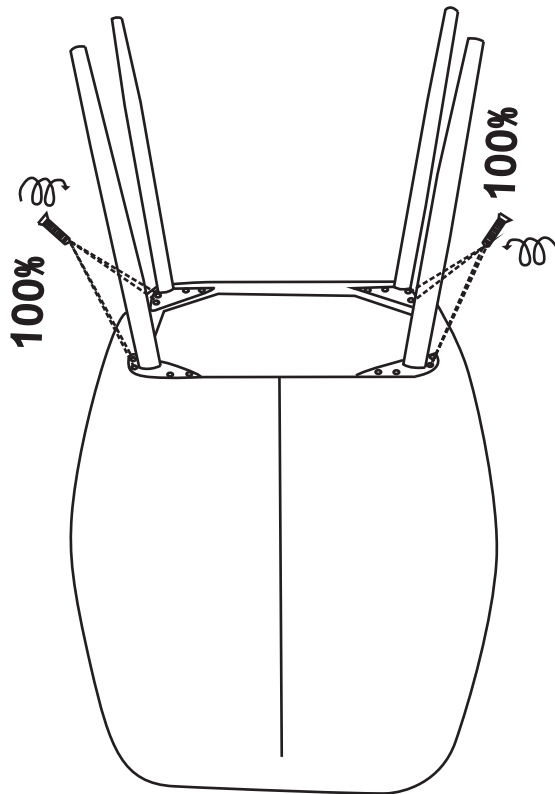
3

EX4

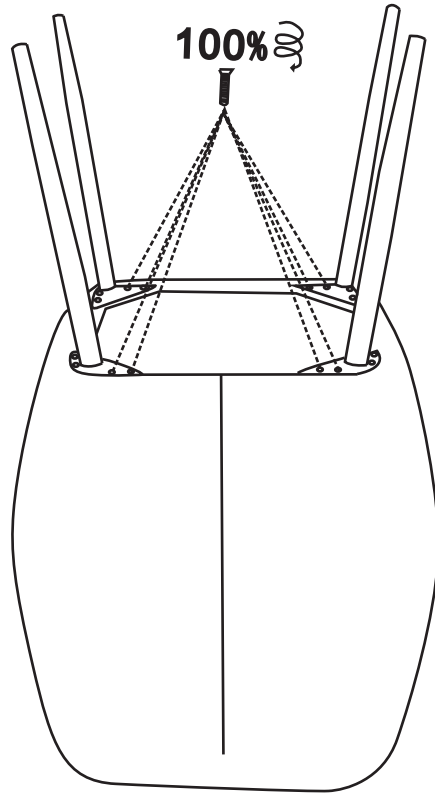
Fx1



4



5



6

