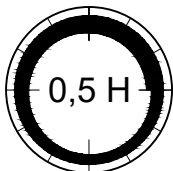
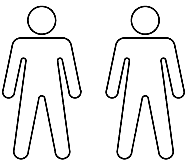
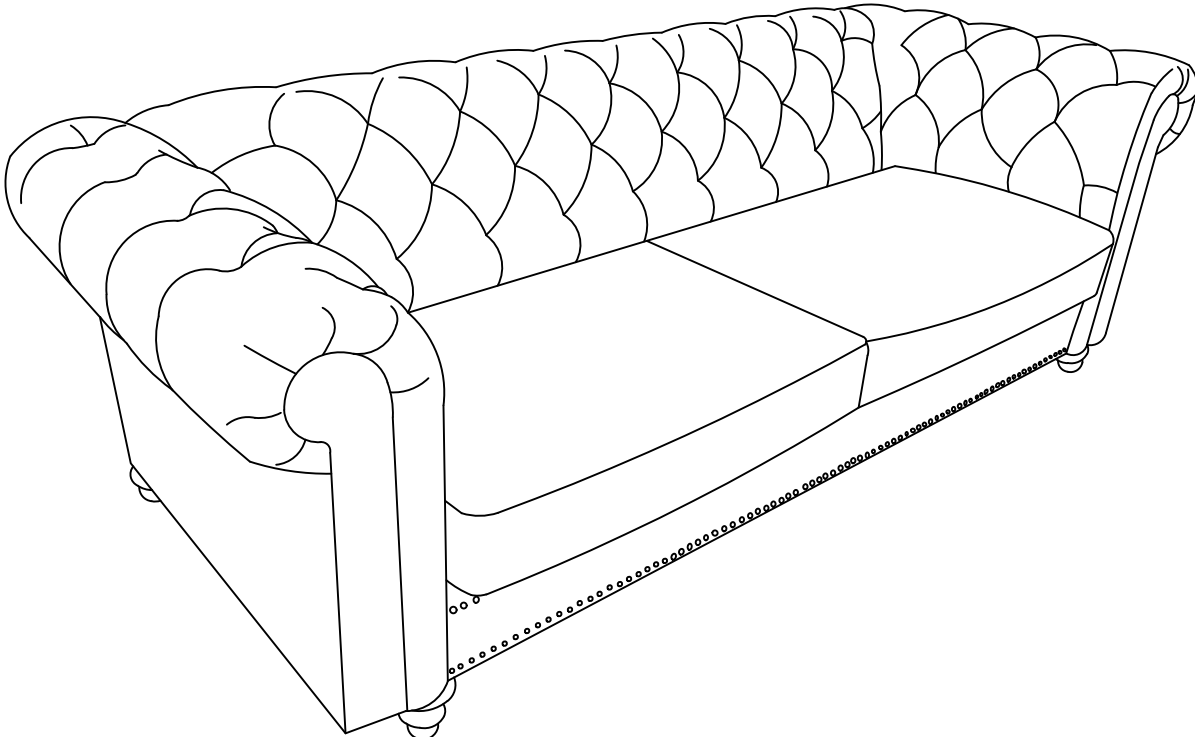
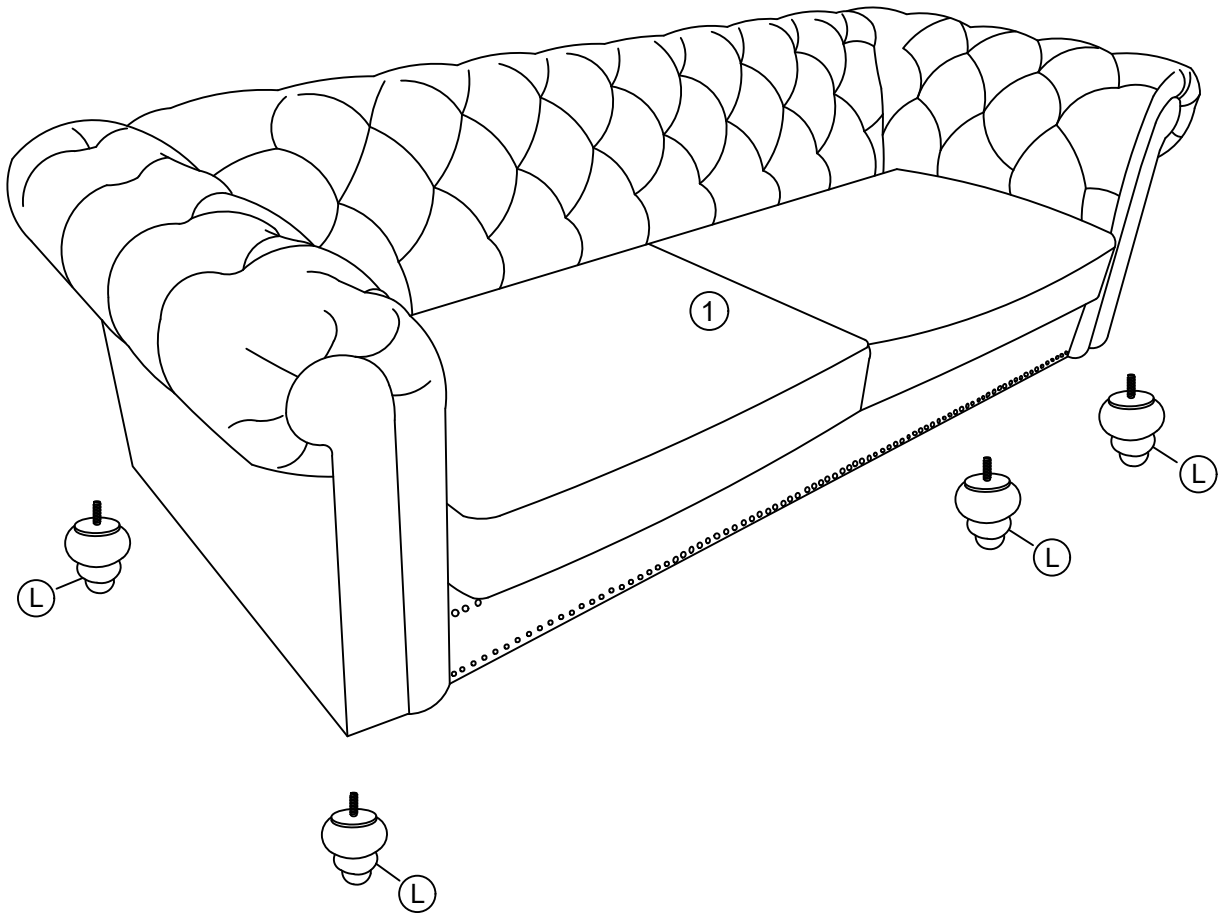
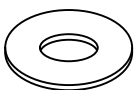



CHARLIETOWN

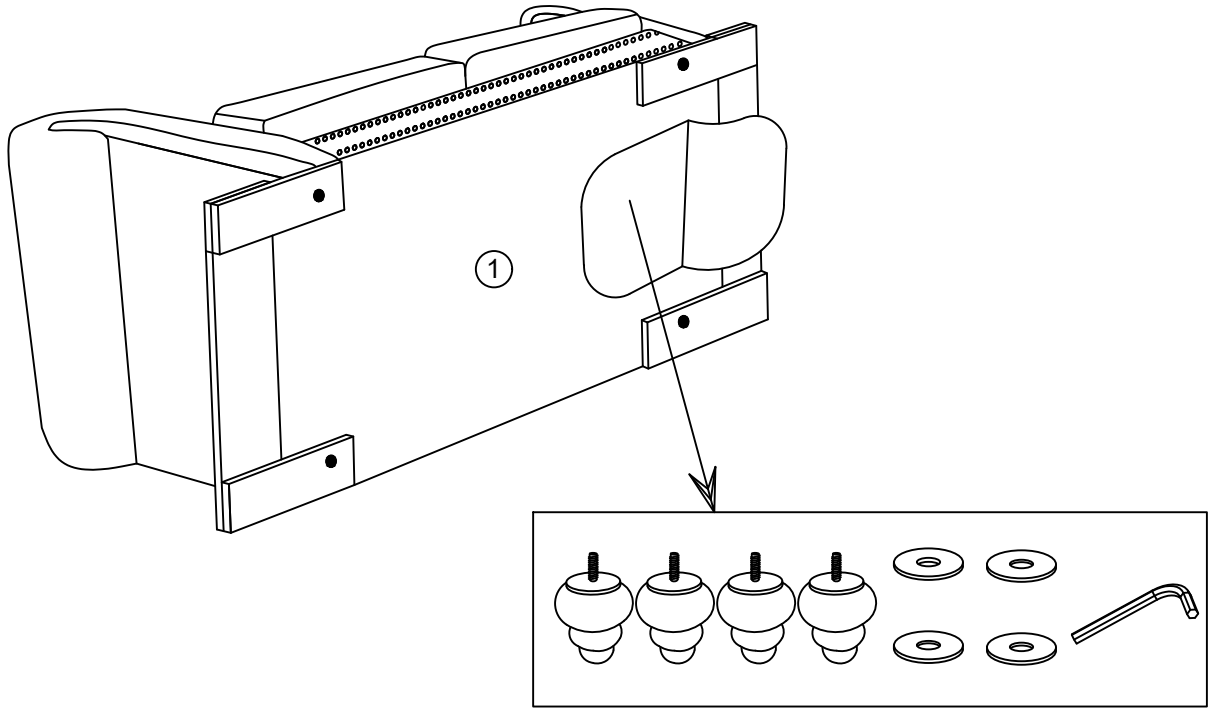


			✓
①	1	2180 x 890 x 645	
Ⓛ	4	Ø98 x 125	

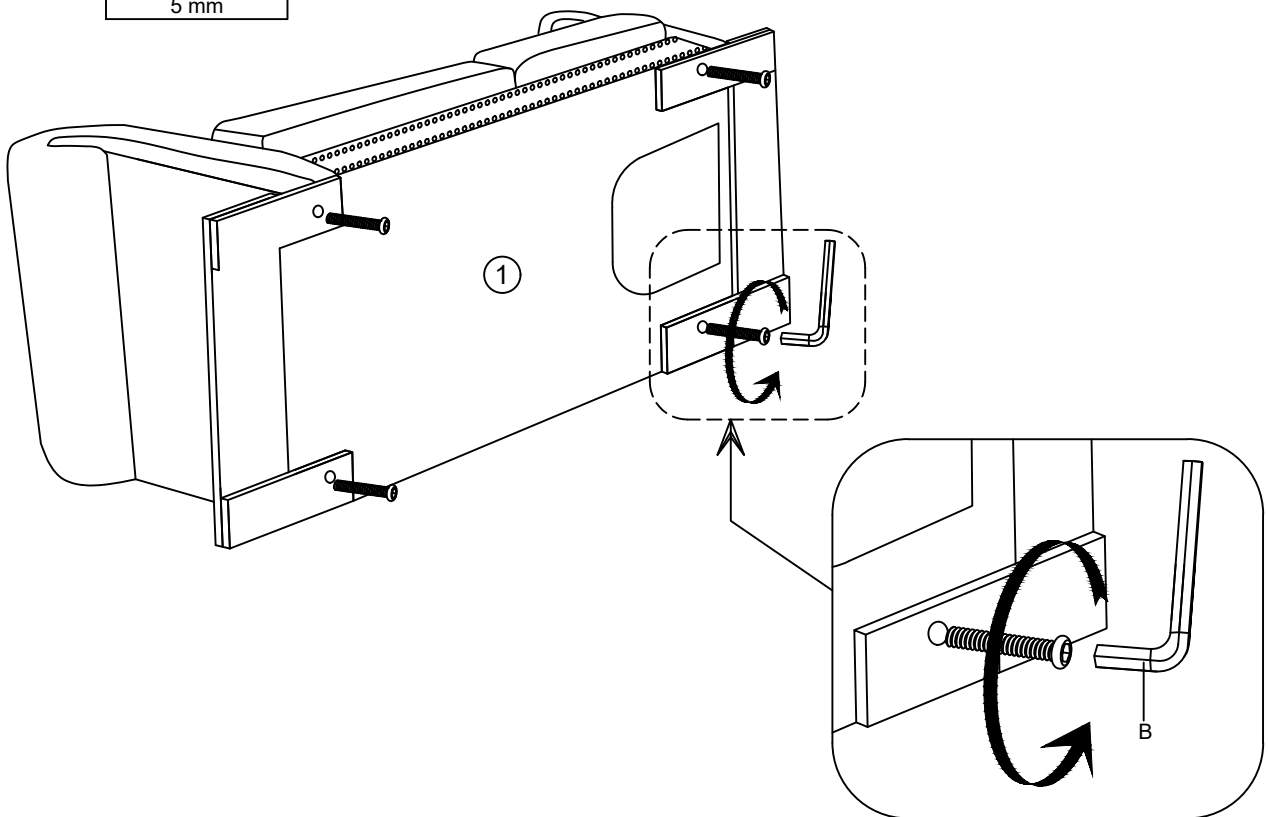
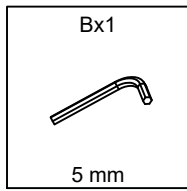


Ax4	Bx1
	
Ø9xØ48 mm	5 mm

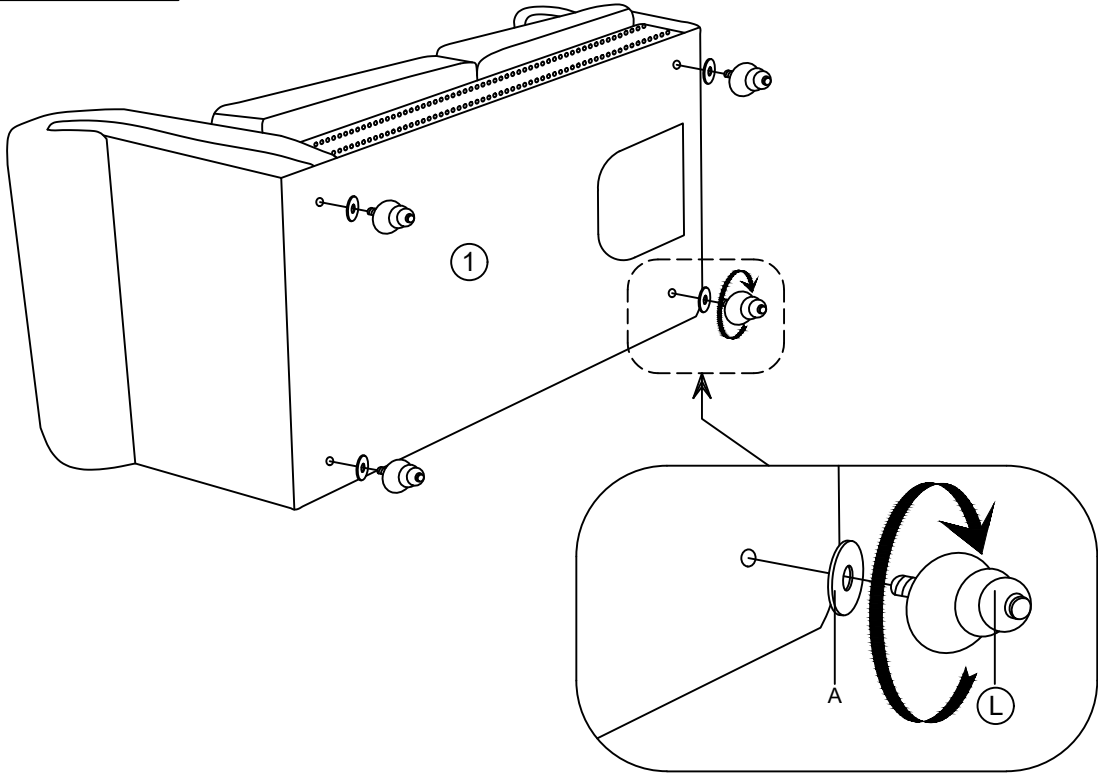
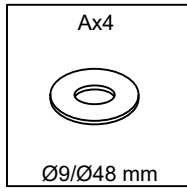
1



2



3



4

