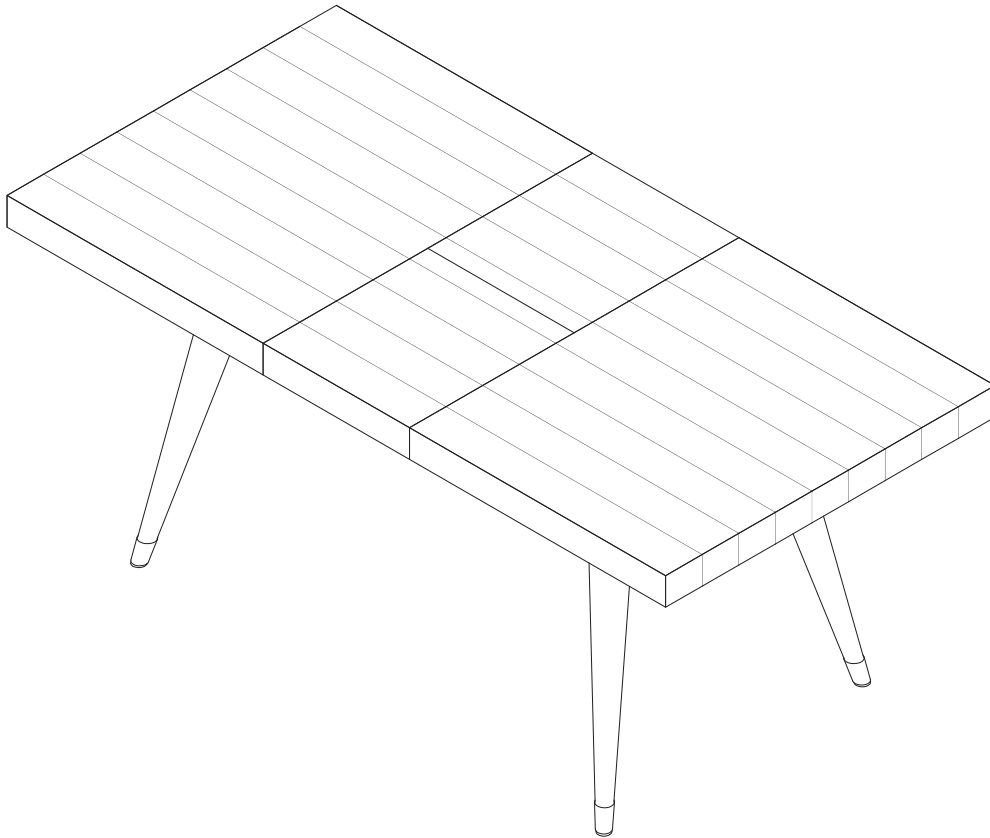


ASSEMBLY INSTRUCTION

**EXTENSION DINING TABLE**

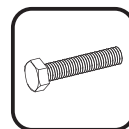
**BHD006**



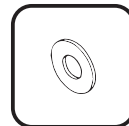
**CONTAIN 3 PARTS**

- **Part 1:** Fully assembled top
- **Part 2:** Left leg
- **Part 3:** Right leg

**HARDWARE PACK**



Bolt (8pcs)  
Φ 10 x 60



Washer (8pcs)  
Φ 11 x 26 x 1.8



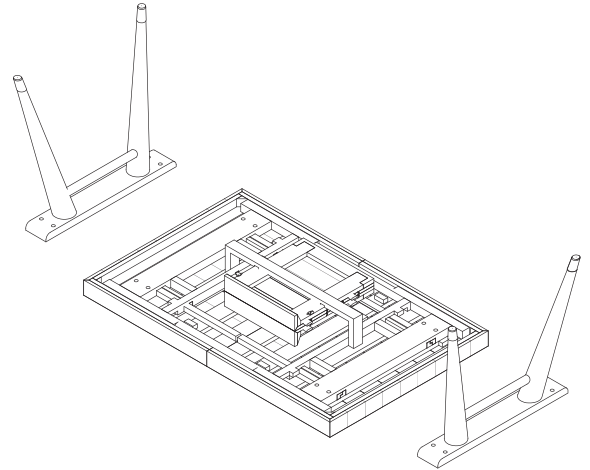
Ring Spanner (1pc)  
K17

**This assembly requires 2 adults!**

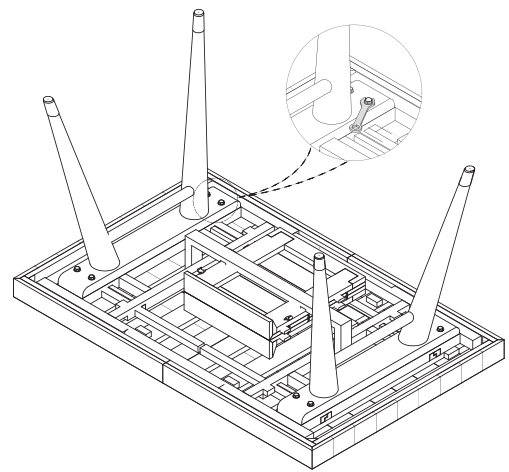
*Lay all parts on a blanket to prevent scratching.*

*Carefully lift each part*

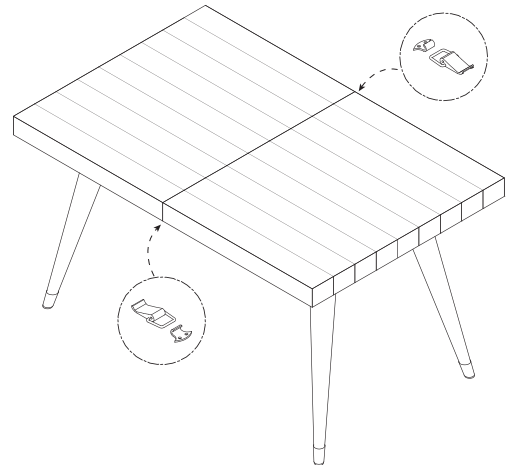
- **Step 1:** Turn the top section up side down



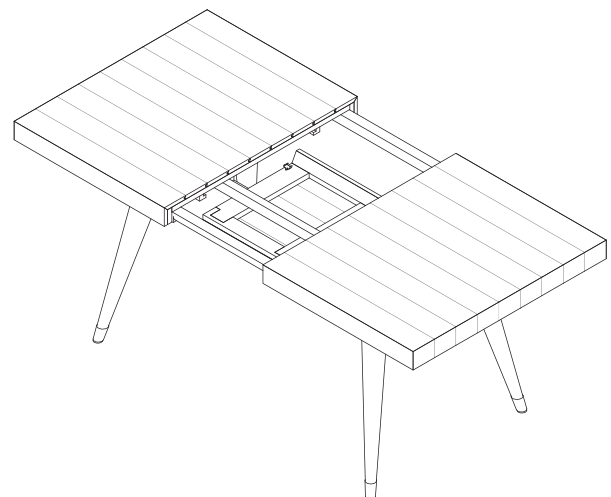
- **Step 2:** Fit the **legs** to the top with bolts and washers. Tighten the bolts **by hand**, then **by spanner**  
(Note: Please match the leg with its number to the top's section that has the same number)



- **Step 3:** Turn the table over, then **unlock two locking clips** under the table top.

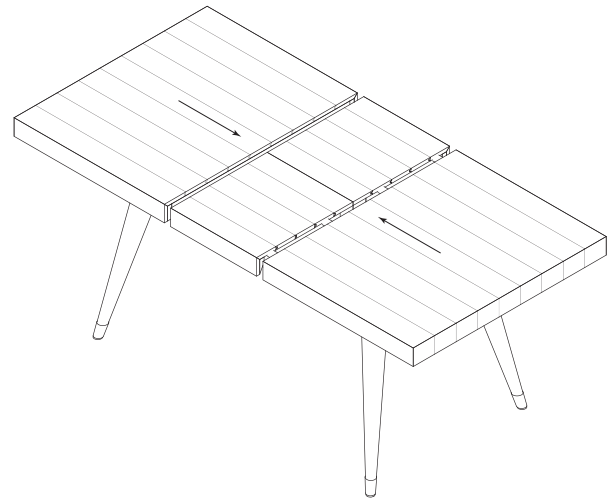


- **Step 4:** Open the table top, swing the leaf to the top.

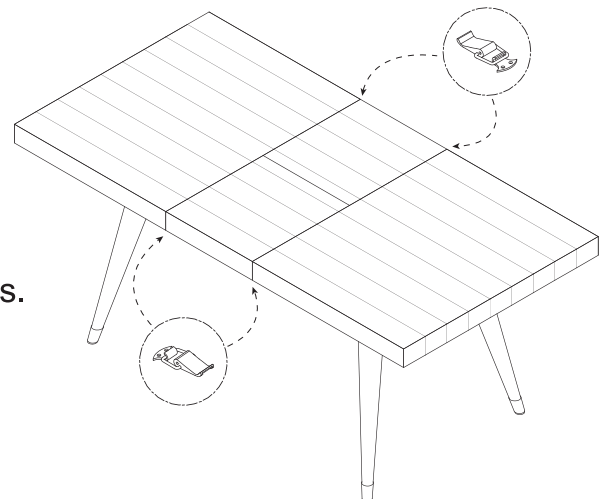


# EXTENSION DINING TABLE BHD006

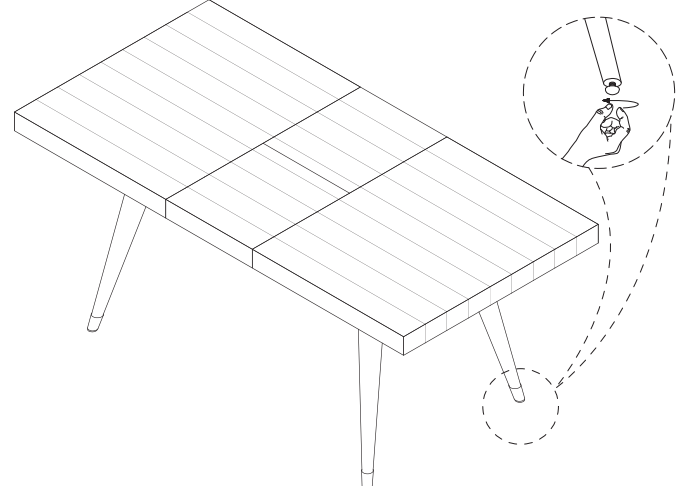
- **Step 5:** Have the leaf flat, then push the side sections close (one section at a time).



- **Step 6:** Lock four clips under the top to secure the leaf and the side sections.



- **Step 7:** Adjust the rubber pin under each leg until each rubber pin touches the ground, so that your table will be in balance.



**The assembly is now completed!**

**ENJOY YOUR NEW P.G.T. RECLAIMED® PRODUCT**

For further information, please visit our website [www.pgt-reclaimed.com](http://www.pgt-reclaimed.com)