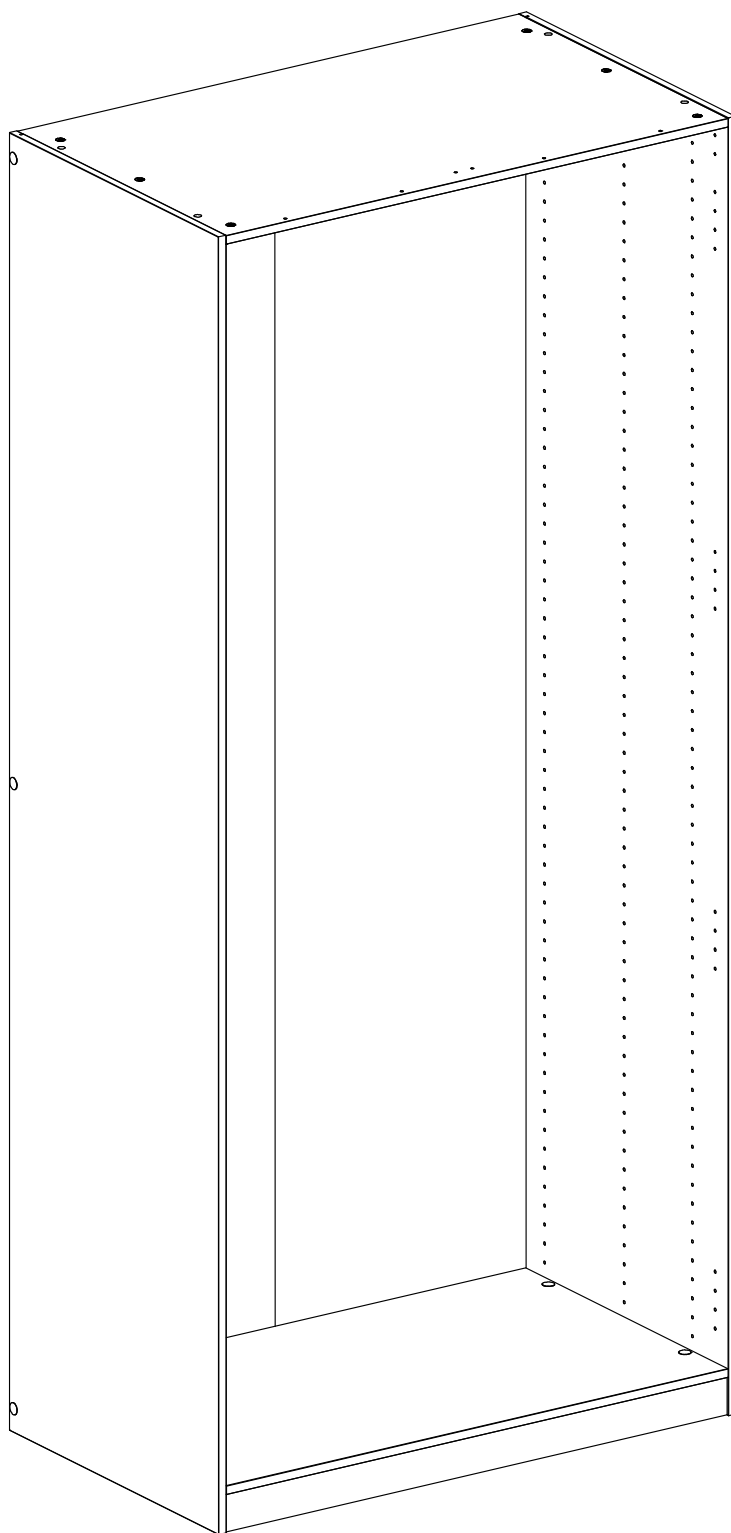
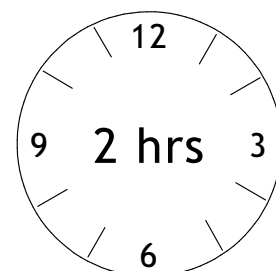
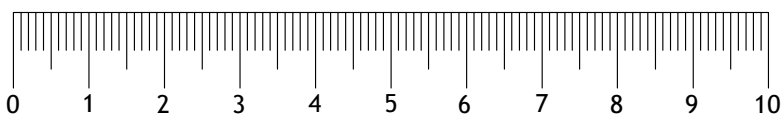
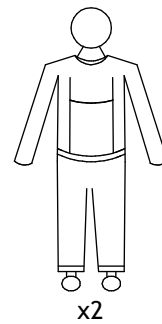
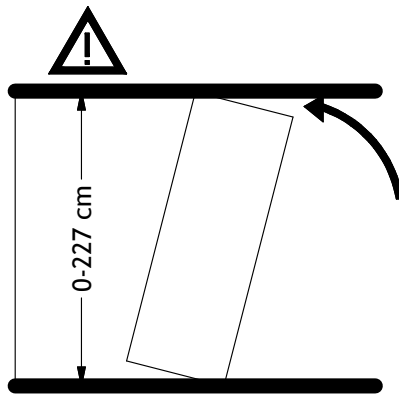
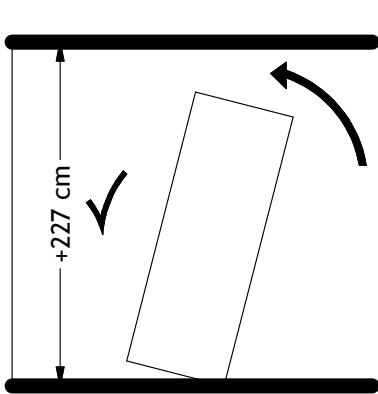
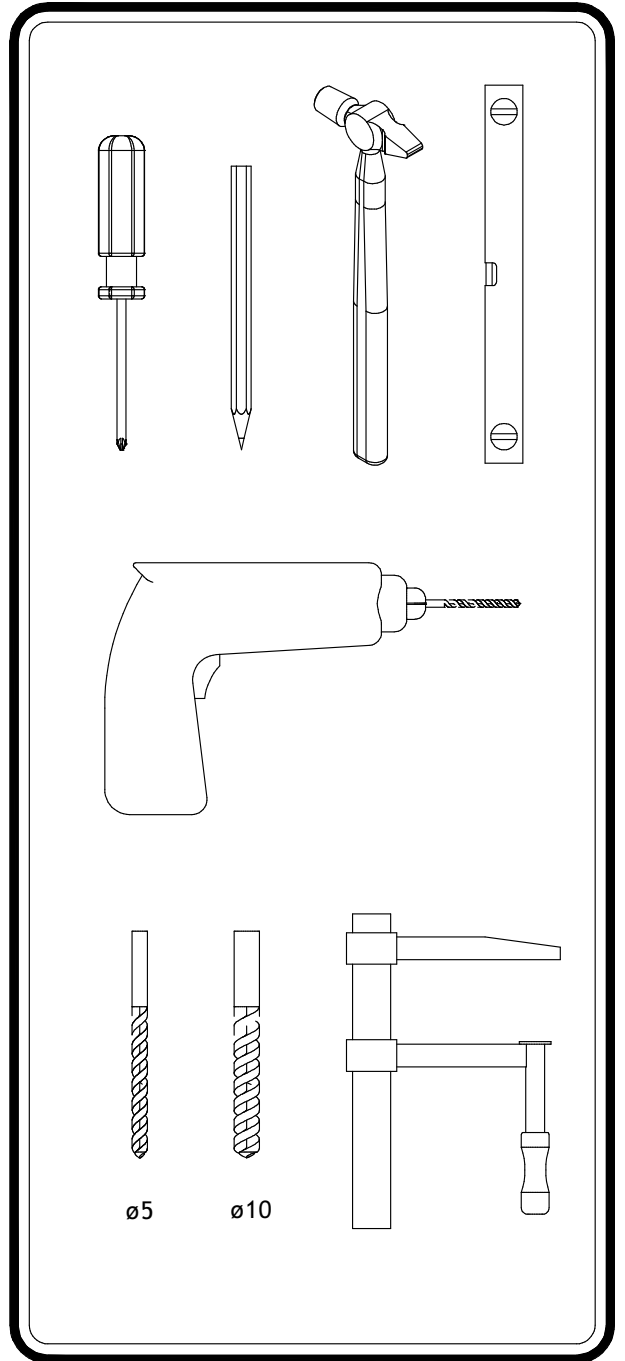
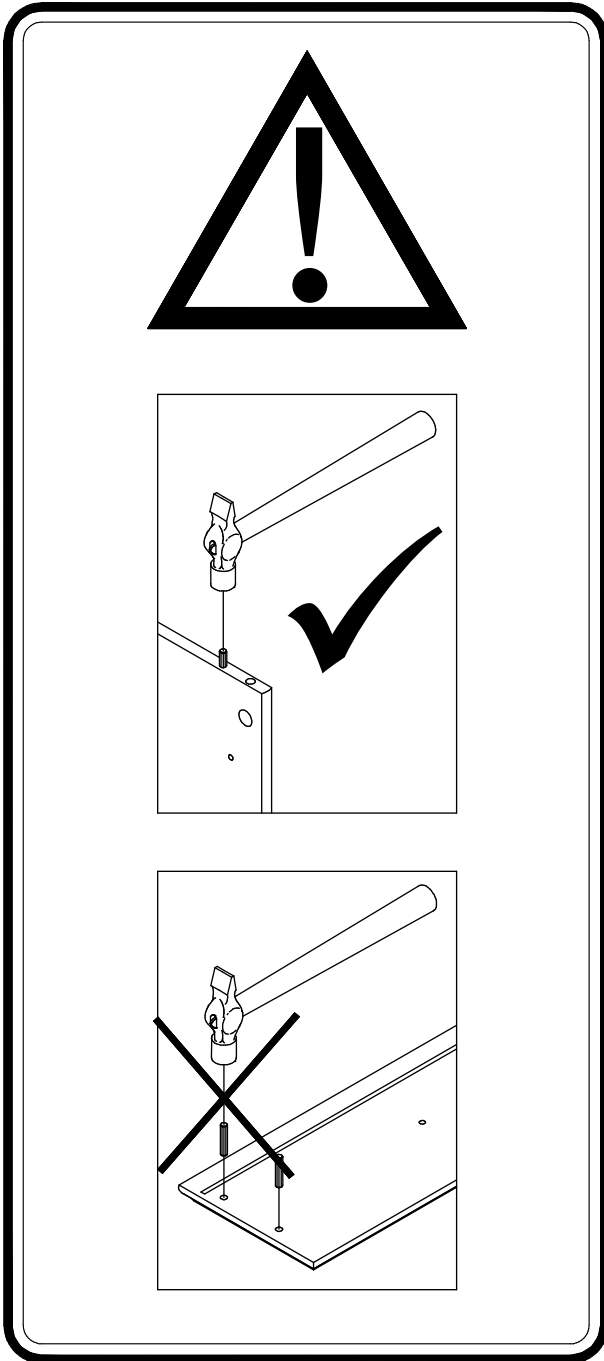
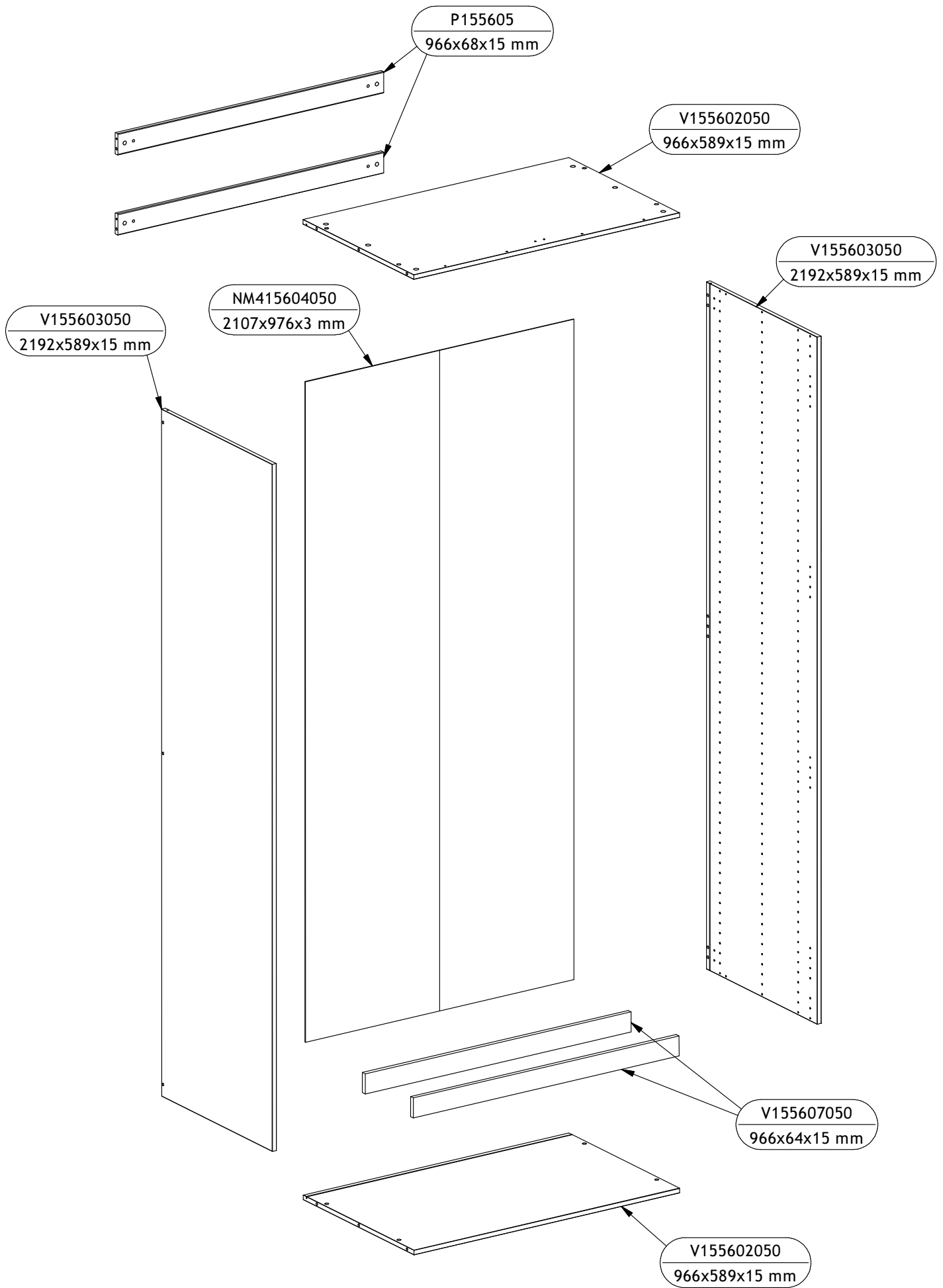
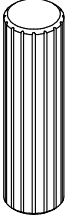
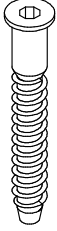
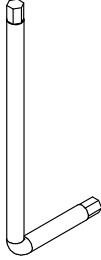

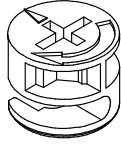
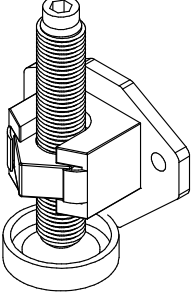

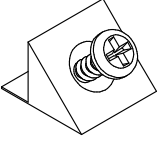
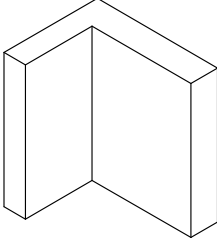
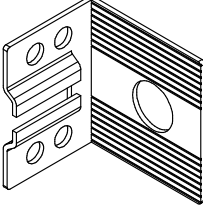
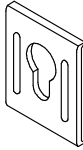

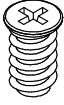
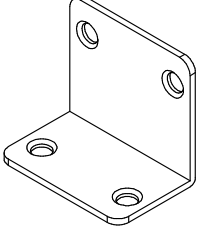
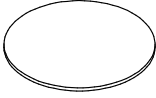
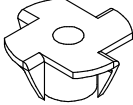
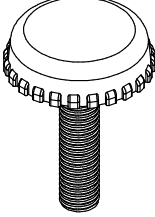
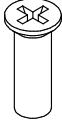
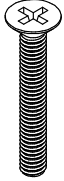


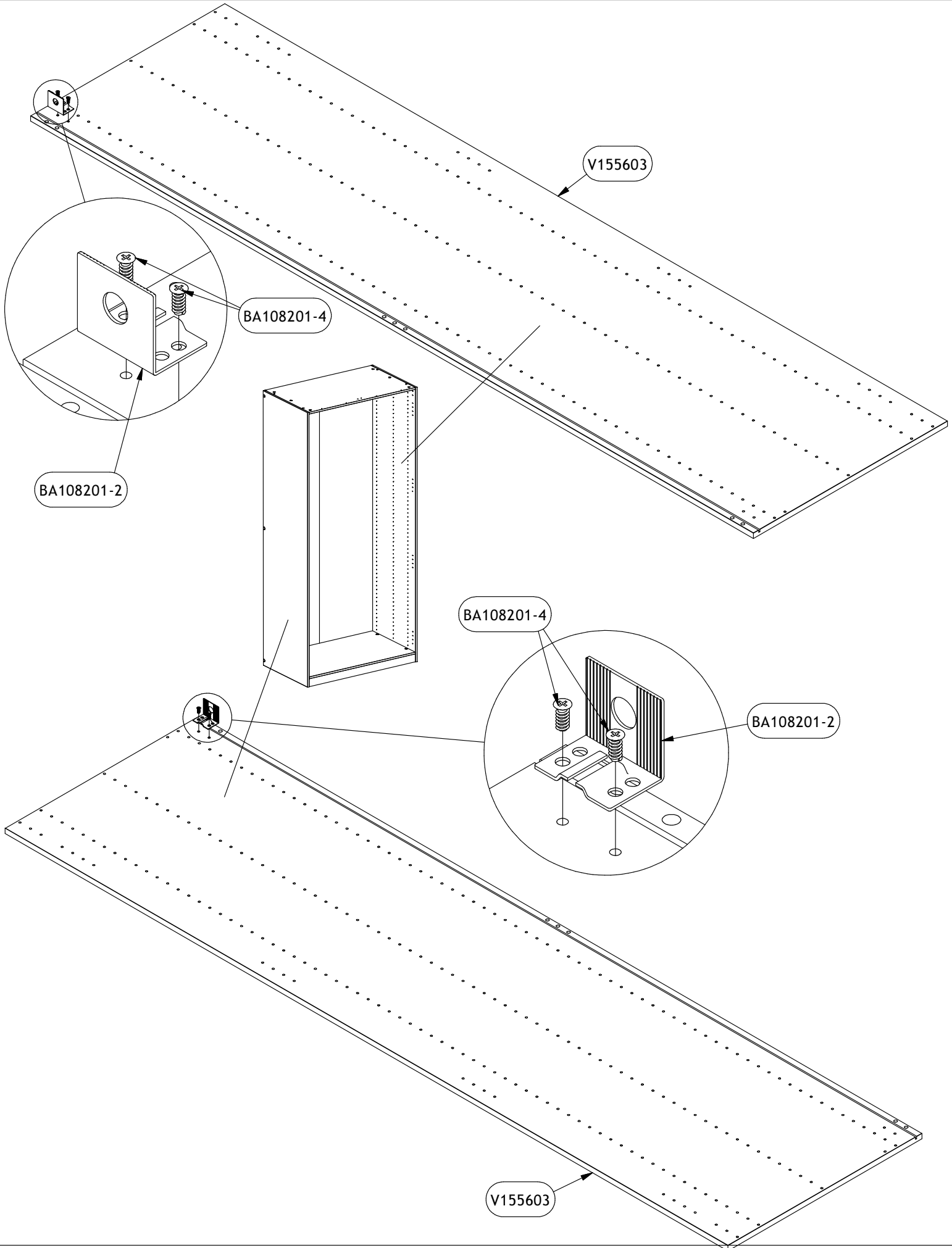
# 337100050

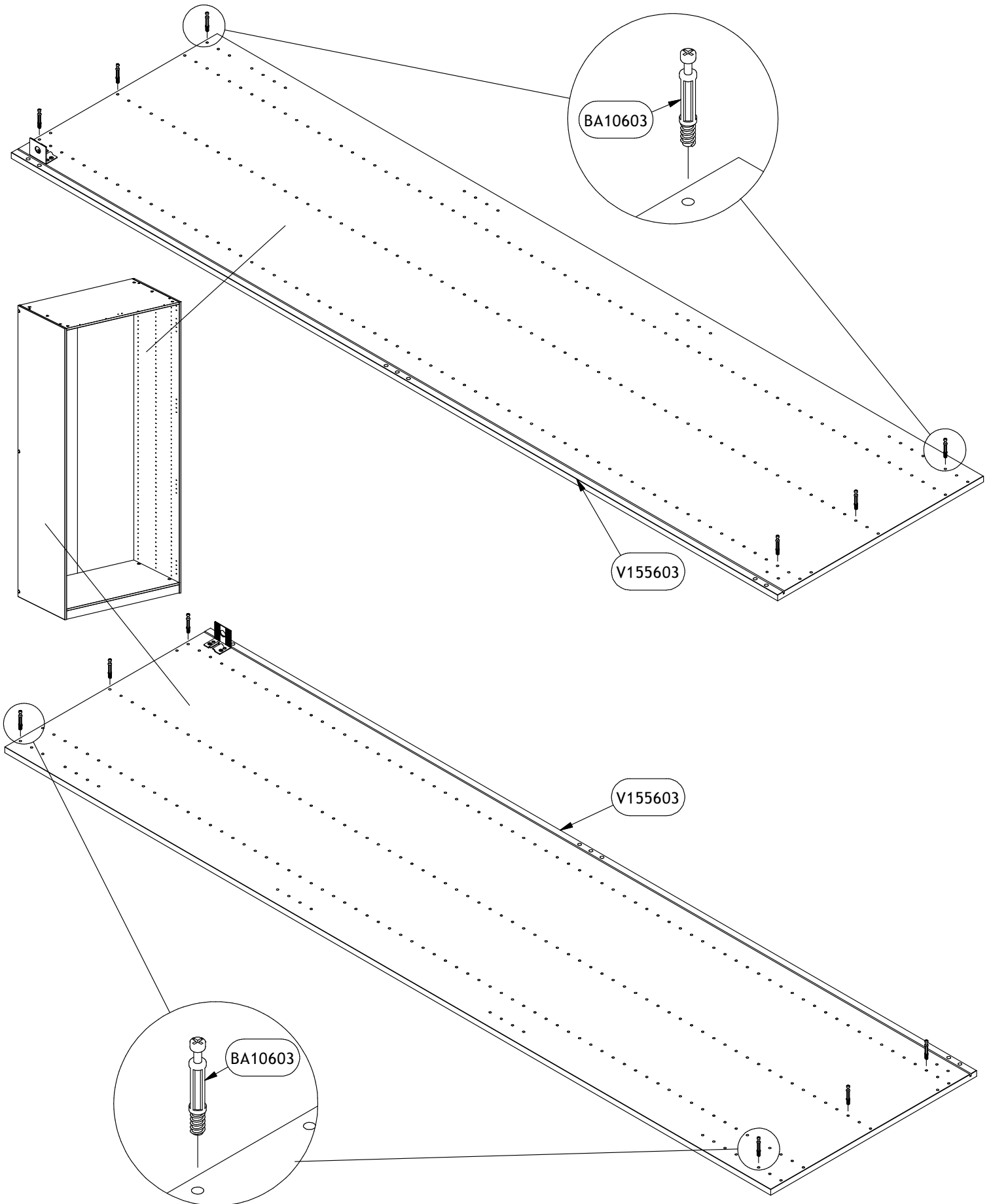


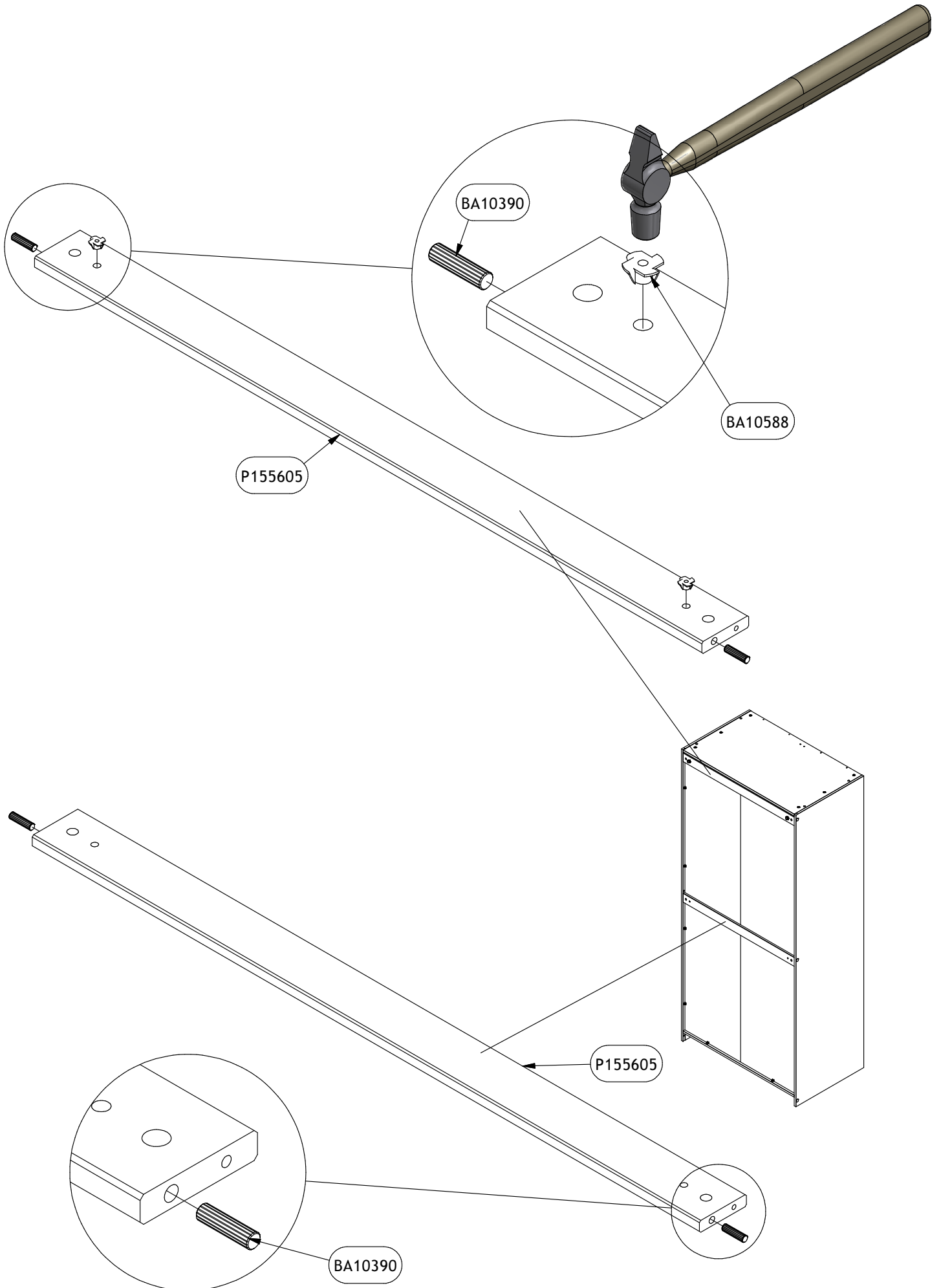


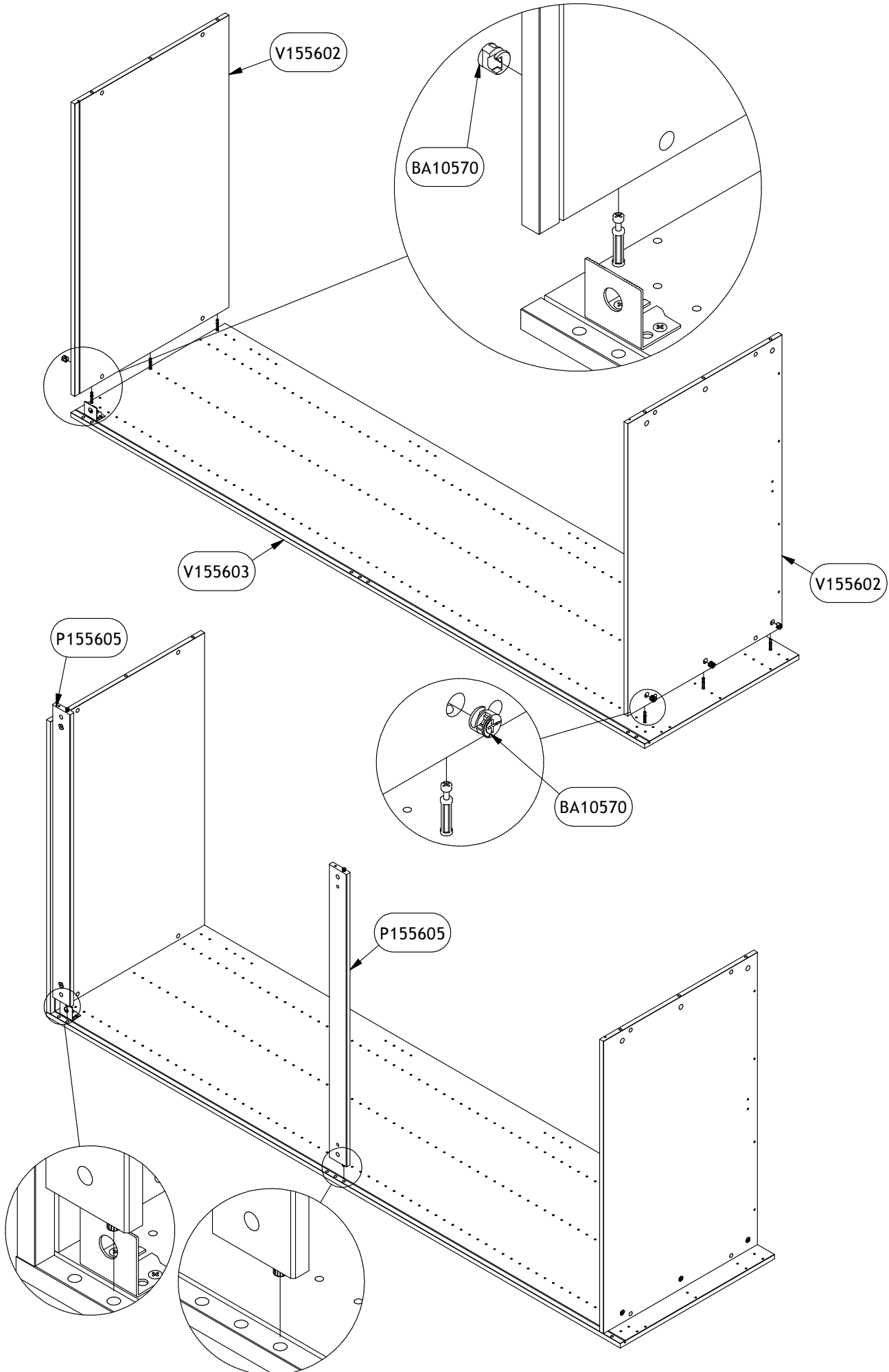


<p>BA10390 x4 ø8x30 mm</p> 	<p>BA10315 x4 ø7x50 mm</p> 	<p>BA10680 x1 4 mm</p> 	<p>BA10603 x12 ø5/11x34 mm</p> 	<p>BA10570 x12 ø15x12 mm</p> 	<p>BA10575 x4 M10x55 mm</p> 
<p>BA10154 x8 4,0x16 mm</p> 	<p>BA10833 x10 15x15x10 mm</p> 	<p>BA10820-1 x2 50x45x35 mm</p> 	<p>BA10820-2 x2 46x43x31 mm</p> 	<p>BA10820-3 x2 33x27 mm</p> 	<p>BA108201-4 x4 ø6,3x13 mm</p> 
<p>BA10240 x20 ø6,1x11,5 mm</p> 	<p>BA10821 x5 45x40x29 mm</p> 	<p>BA103444 x14 ø20 mm</p> 	<p>BA10588 x2 M6/17x8 mm</p> 	<p>BA10585 x2 M6 ø19x22 mm</p> 	<p>BA10237 x5 ø4,9/M4x27 mm</p> 
<p>BA10624 x5 M4x25 mm</p> 					

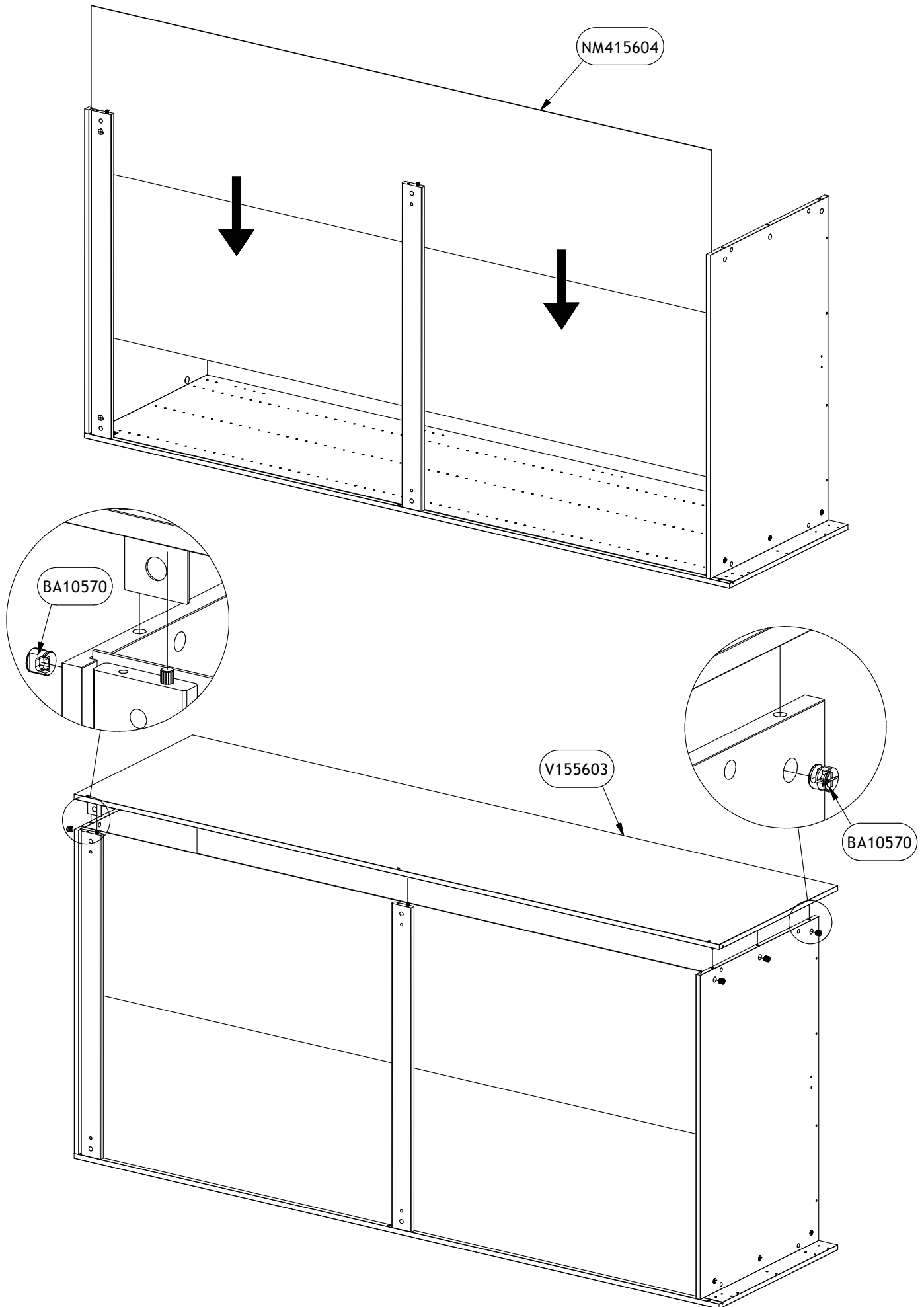


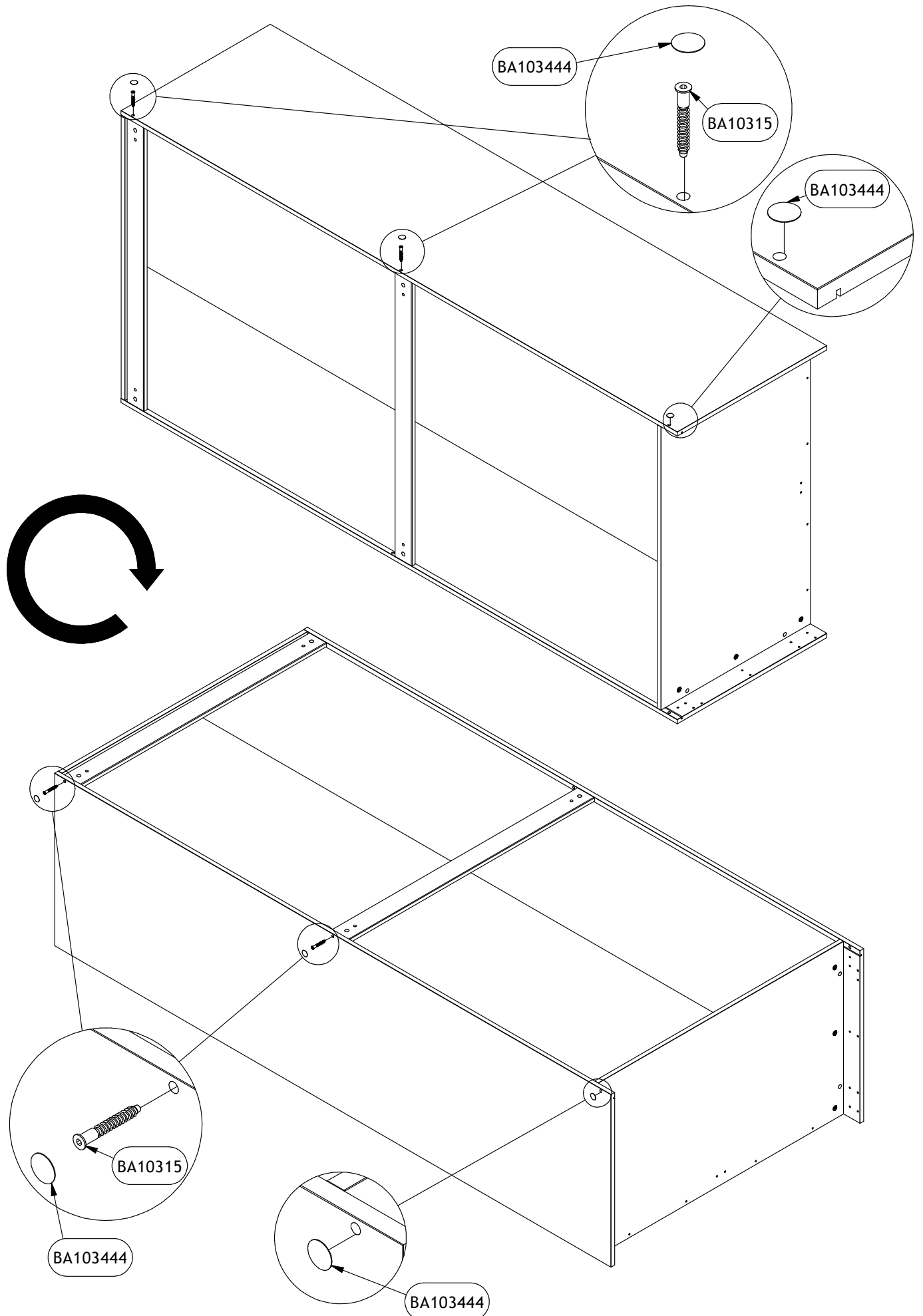


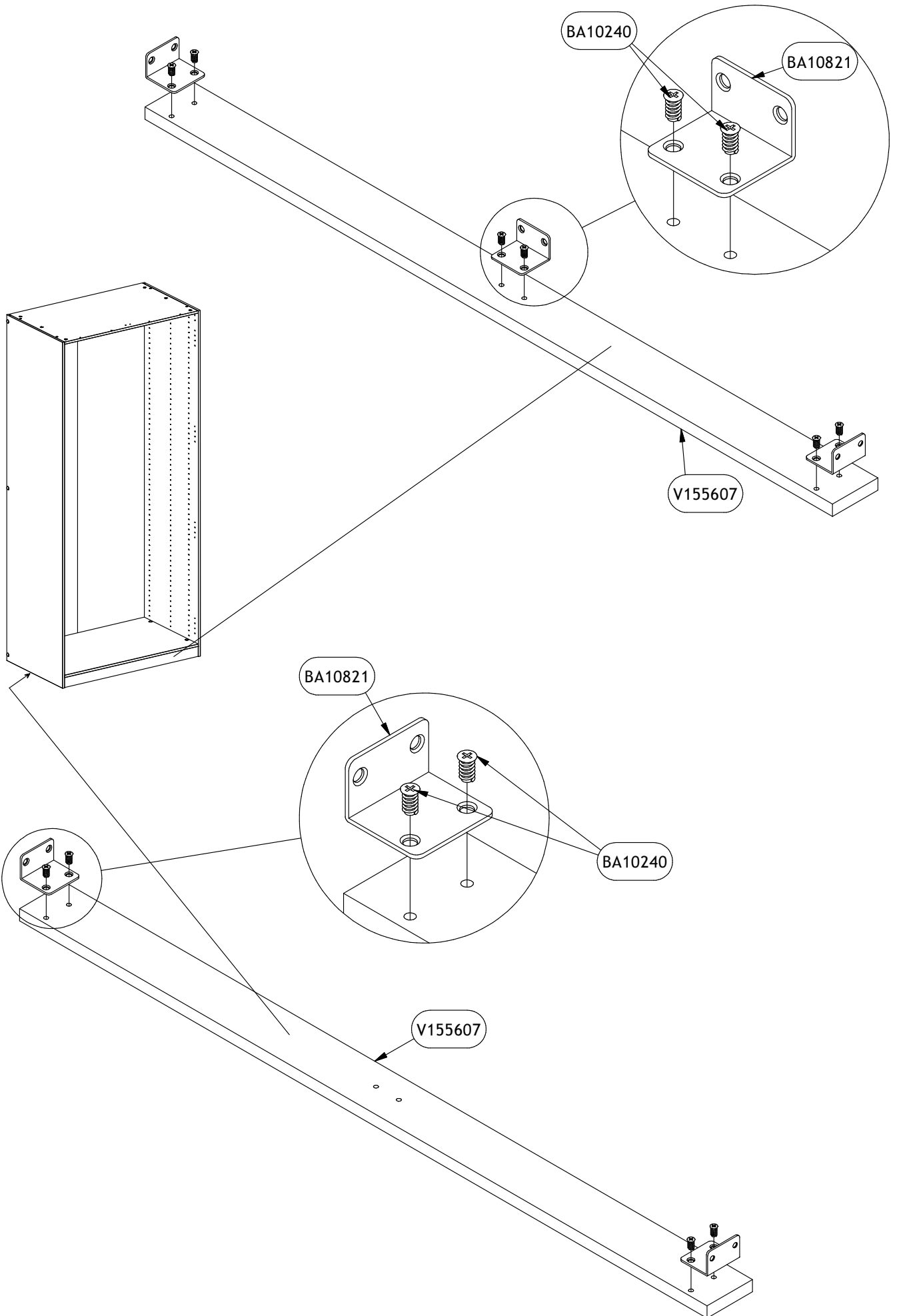












# 8

