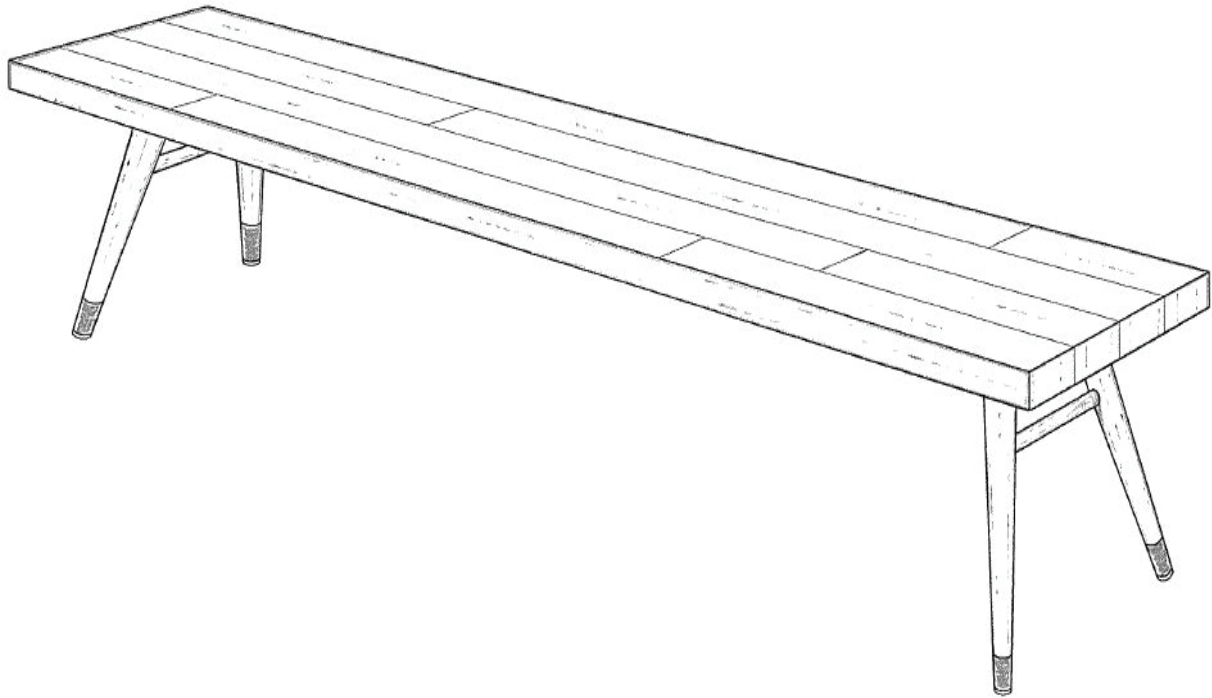


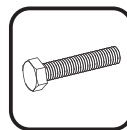
ASSEMBLY INSTRUCTION
BENCH - BHD008



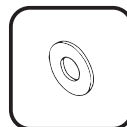
CONTAIN 3 PARTS

- **Part 1:** Fully assembled top draw
- **Part 2:** Left leg
- **Part 3:** Right leg

HARDWARE



Bolt (6pcs)
Φ 10 x 80



Washer (6pcs)
Φ 11 x 26 x 1.8

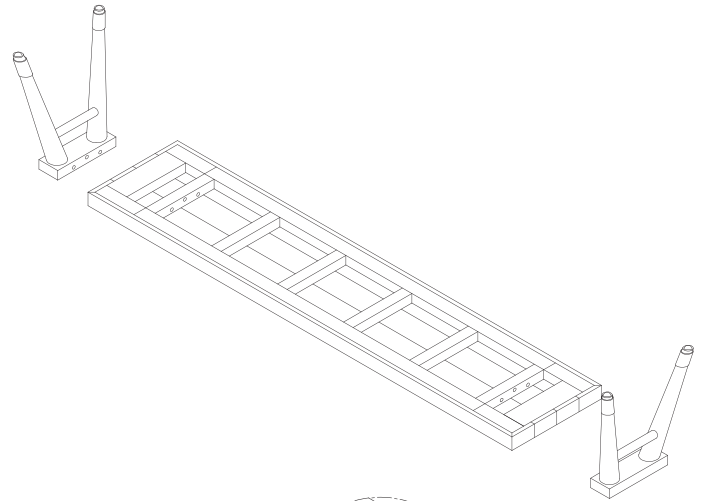


Ring Spanner (1pc)
K17

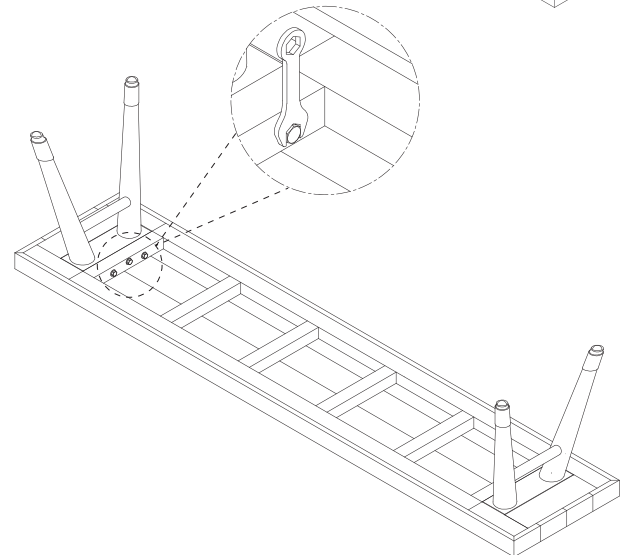
This assembly requires 2 adults!

*Lay all parts on a blanket to prevent scratching.
Carefully lift each part*

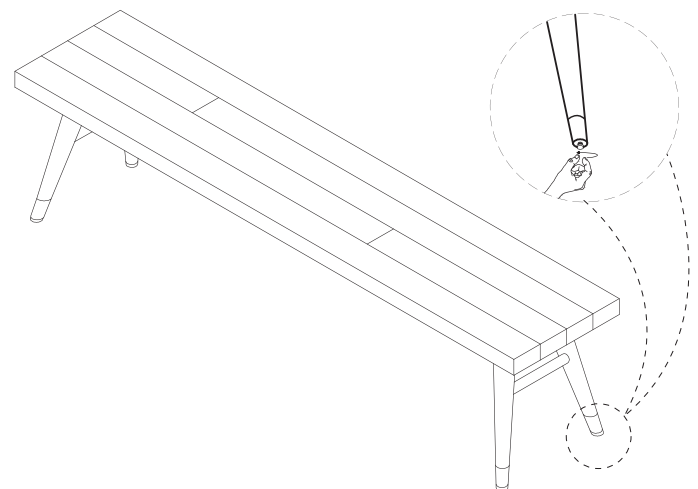
- **Step 1:** Turn the top section up side down



- **Step 2:** Fit the legs to the top with bolts and washers. Tighten all bolts by using ring spanner



- **Step 3:** Turn the bench over, then adjust the **rubber pin** under each leg until each rubber pin touches the ground, so that your bench will be in balance.



The assembly is now completed!

ENJOY YOUR NEW P.G.T. RECLAIMED[®] PRODUCT

For further information, please visit our website www.pgt-reclaimed.com