




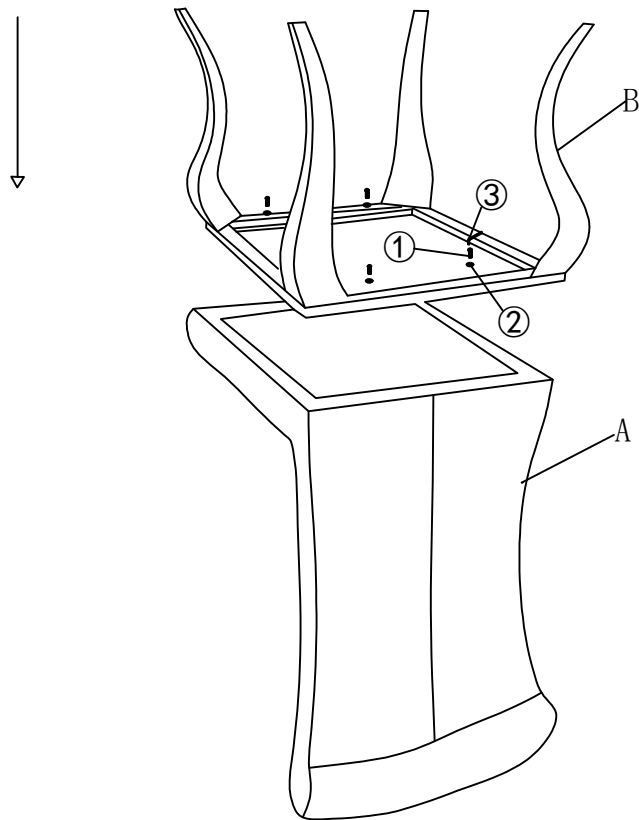


328 CHAIR INSTALLATION

components				parts				
A	cushion		×1	①	screw		M6*30	×4
				②	shim		/	×4
B	frame		×1	③	allen key		M4	×1

1



2

