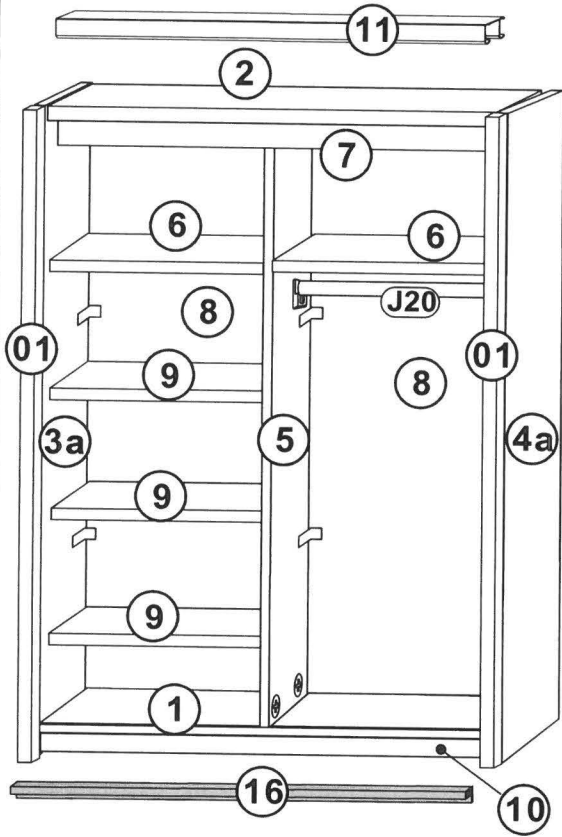
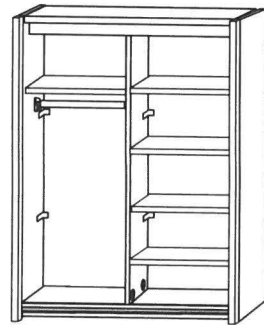


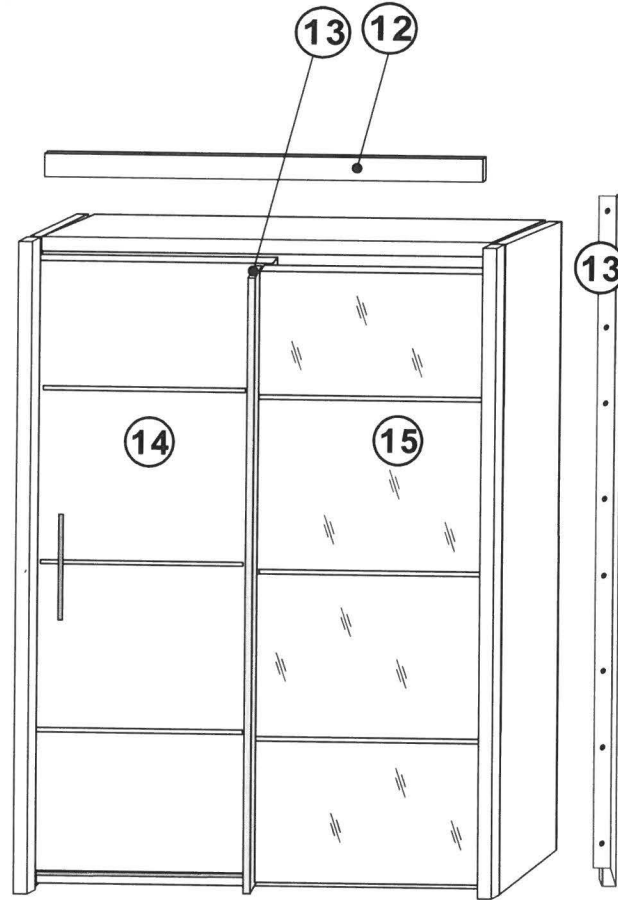
option "a"



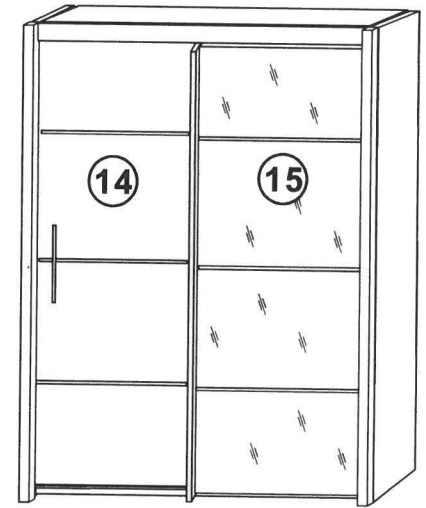
option "b"



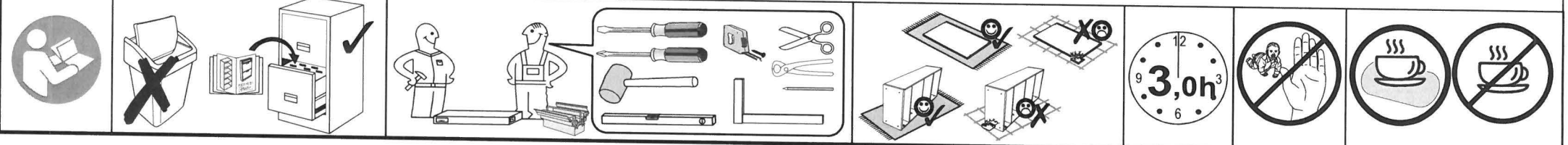
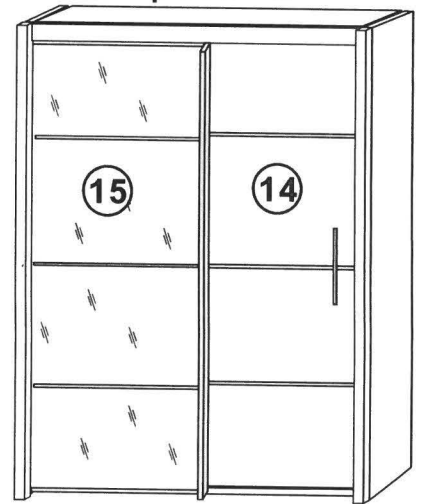
13 12

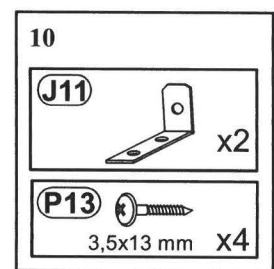
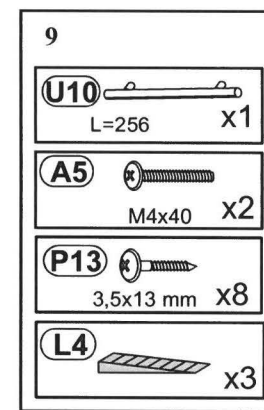
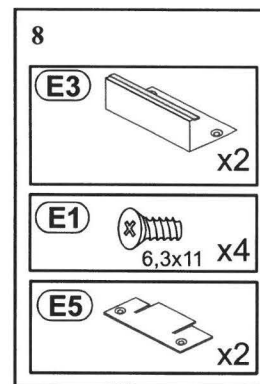
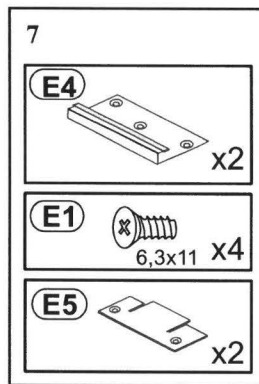
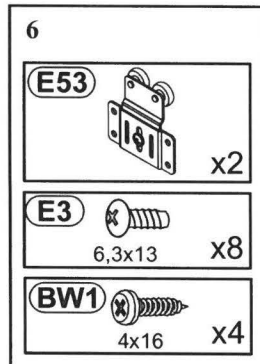
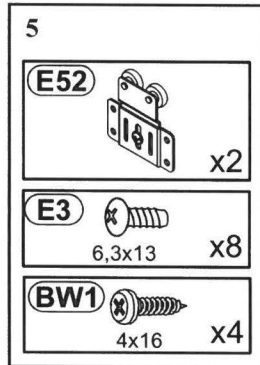
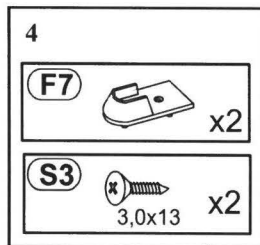
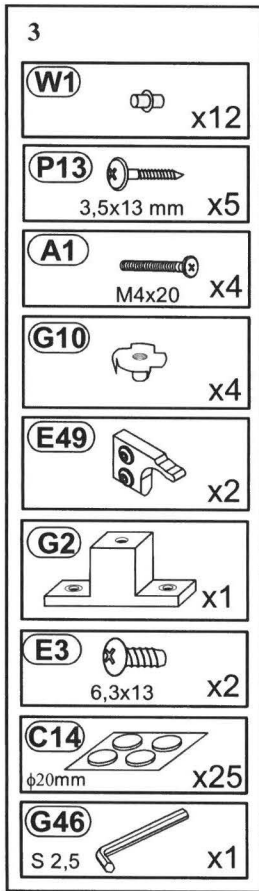
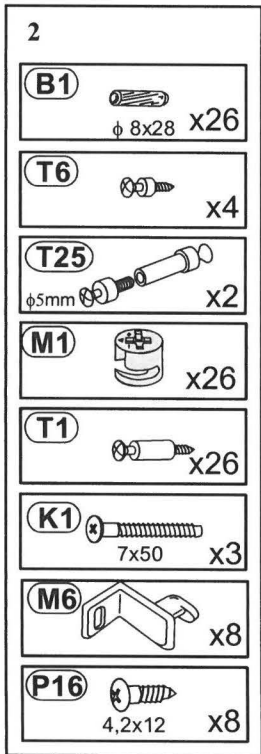
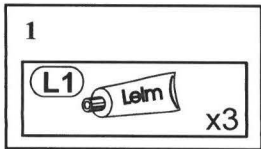


option "c"

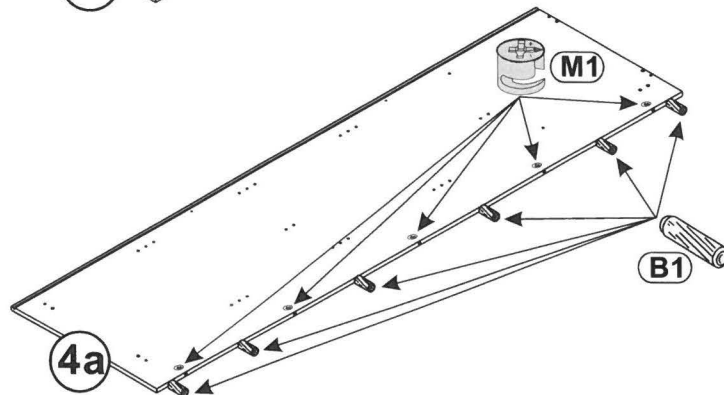
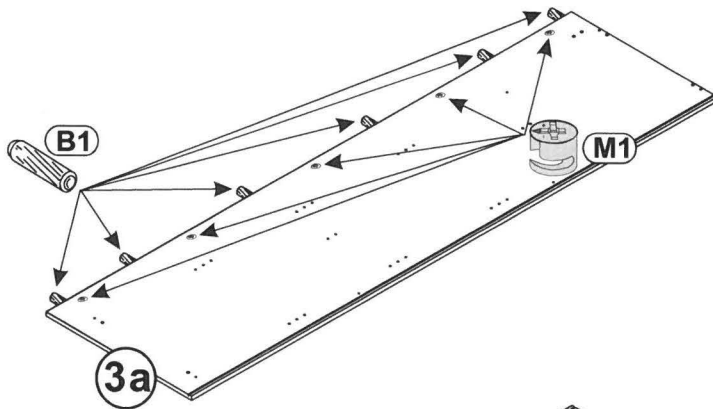
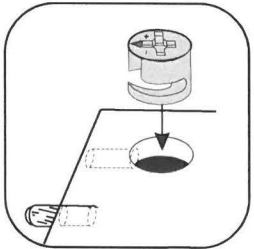
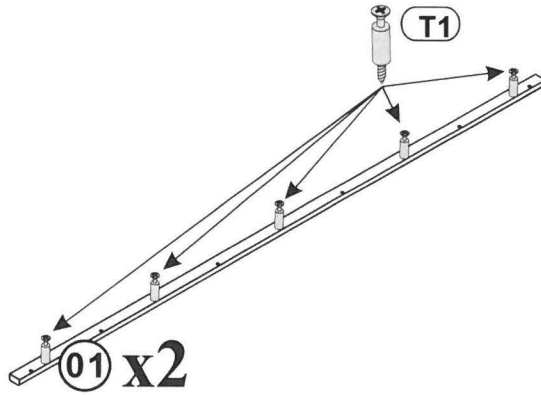
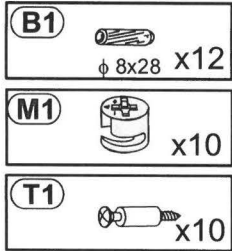


option "d"

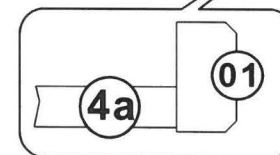
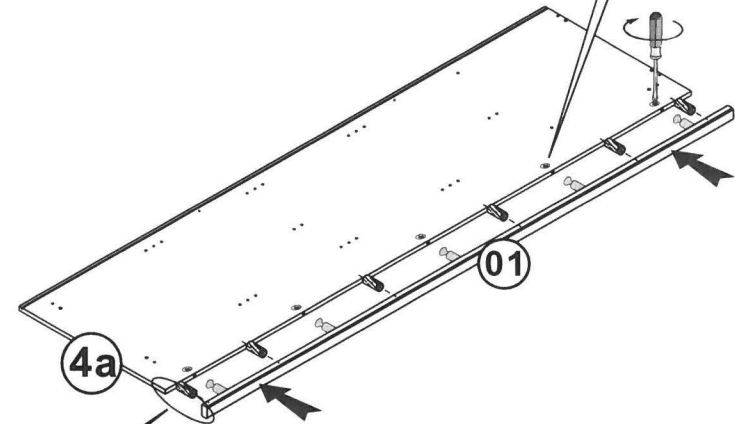
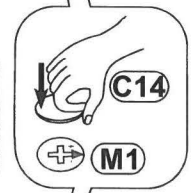
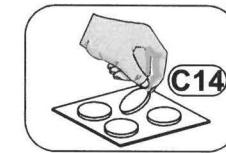
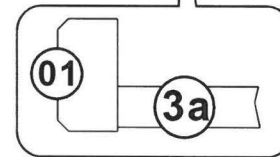
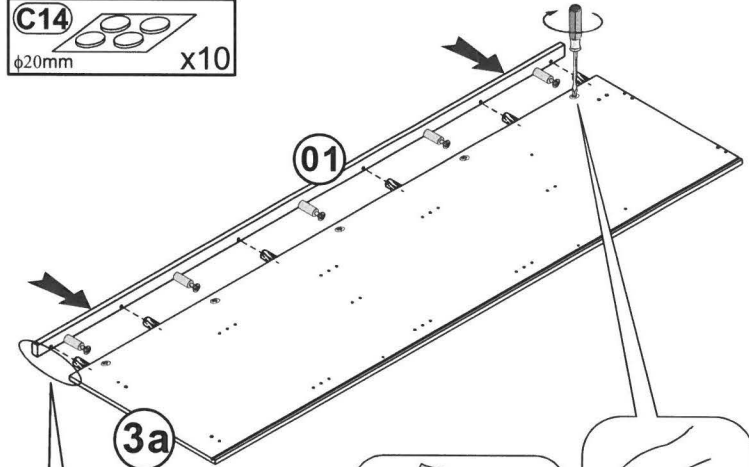
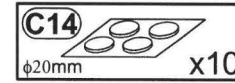










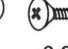
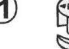

1

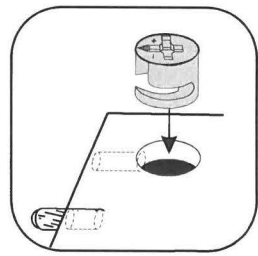
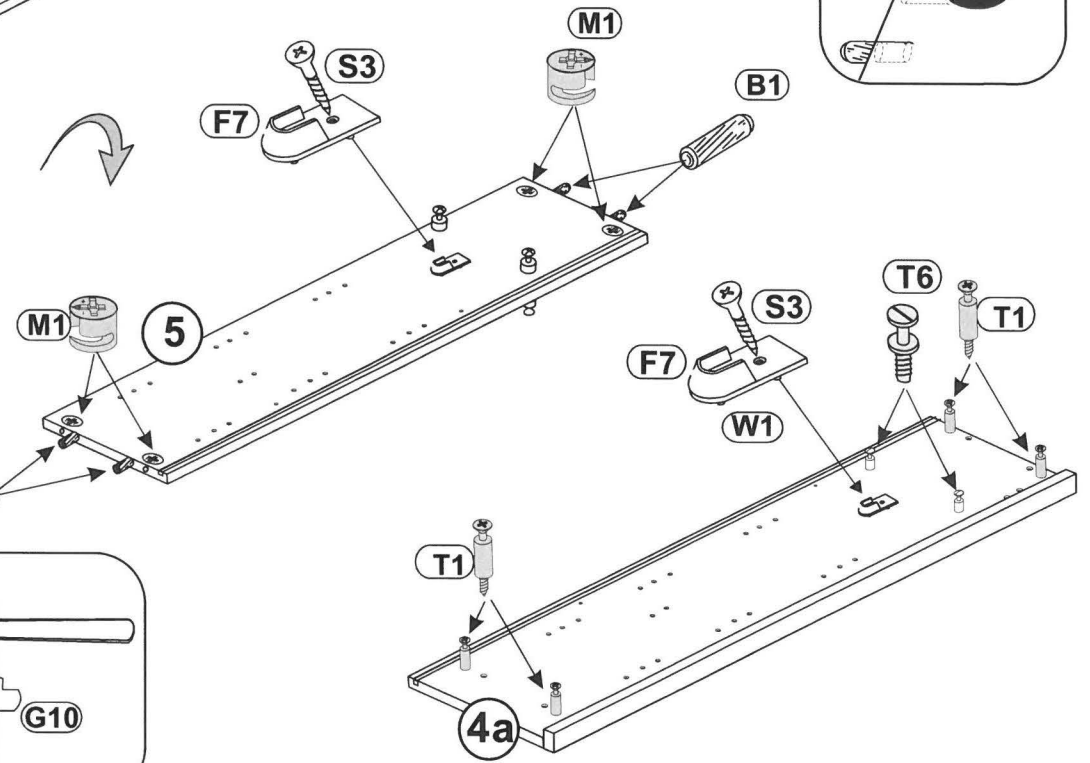
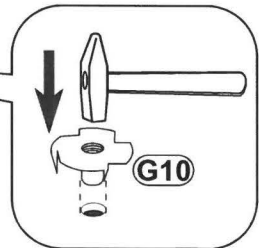
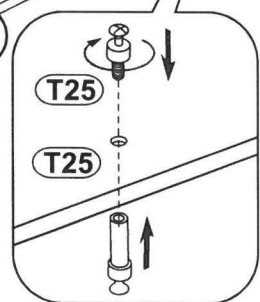
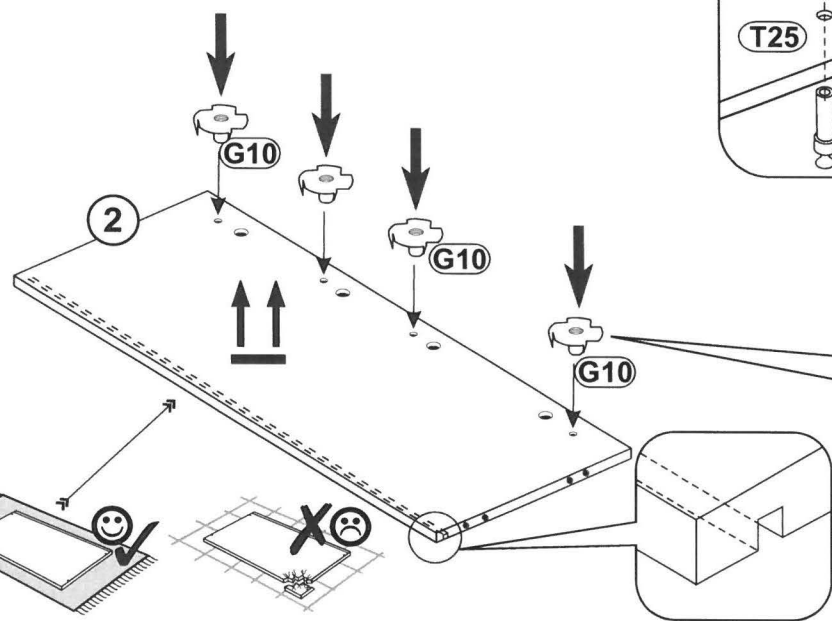
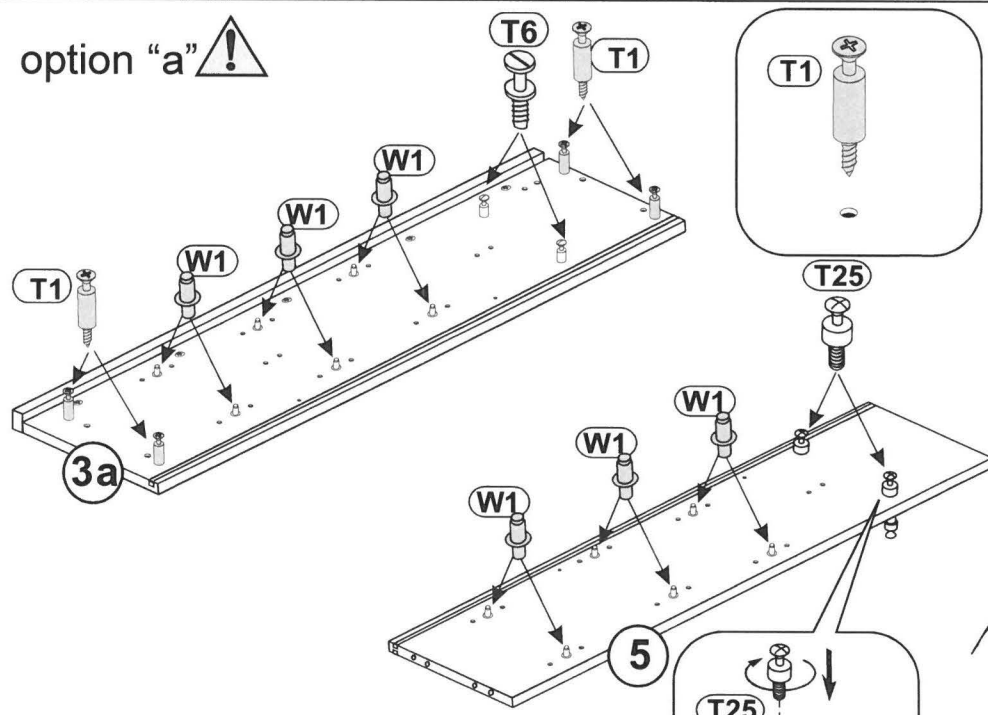


2



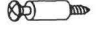




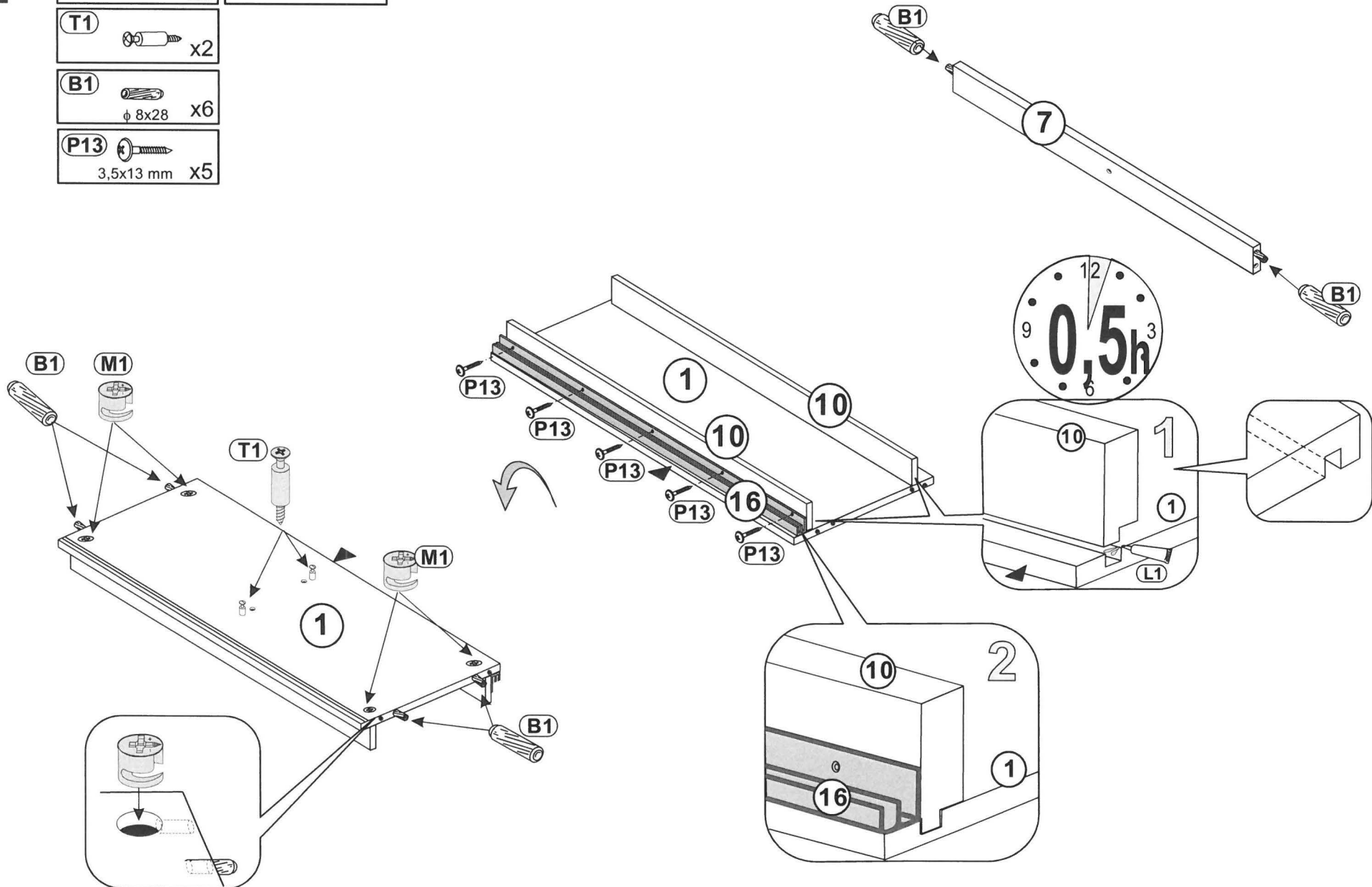
3 option "a"

W1	 x12	T6	 x4	F7	 x2	B1	 ϕ 8x28 x4
G10	 x4	T1	 x8	S3	 3,0x13 x2	M1	 x4
						T25	 ϕ 5mm x2

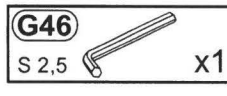
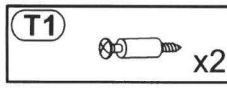
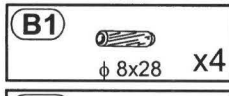
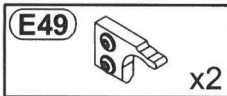


4

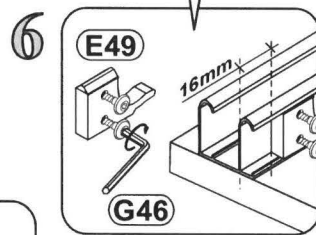
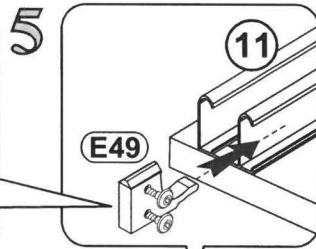
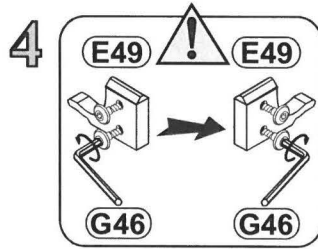
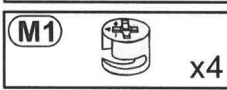
- | | | | | | |
|------------|---|----|-----------|---|----|
| L1 |  | x3 | M1 |  | x4 |
| T1 |  | x2 | | | |
| B1 |  | x6 | | | |
| P13 |  | x5 | | | |
- φ 8x28
 3,5x13 mm



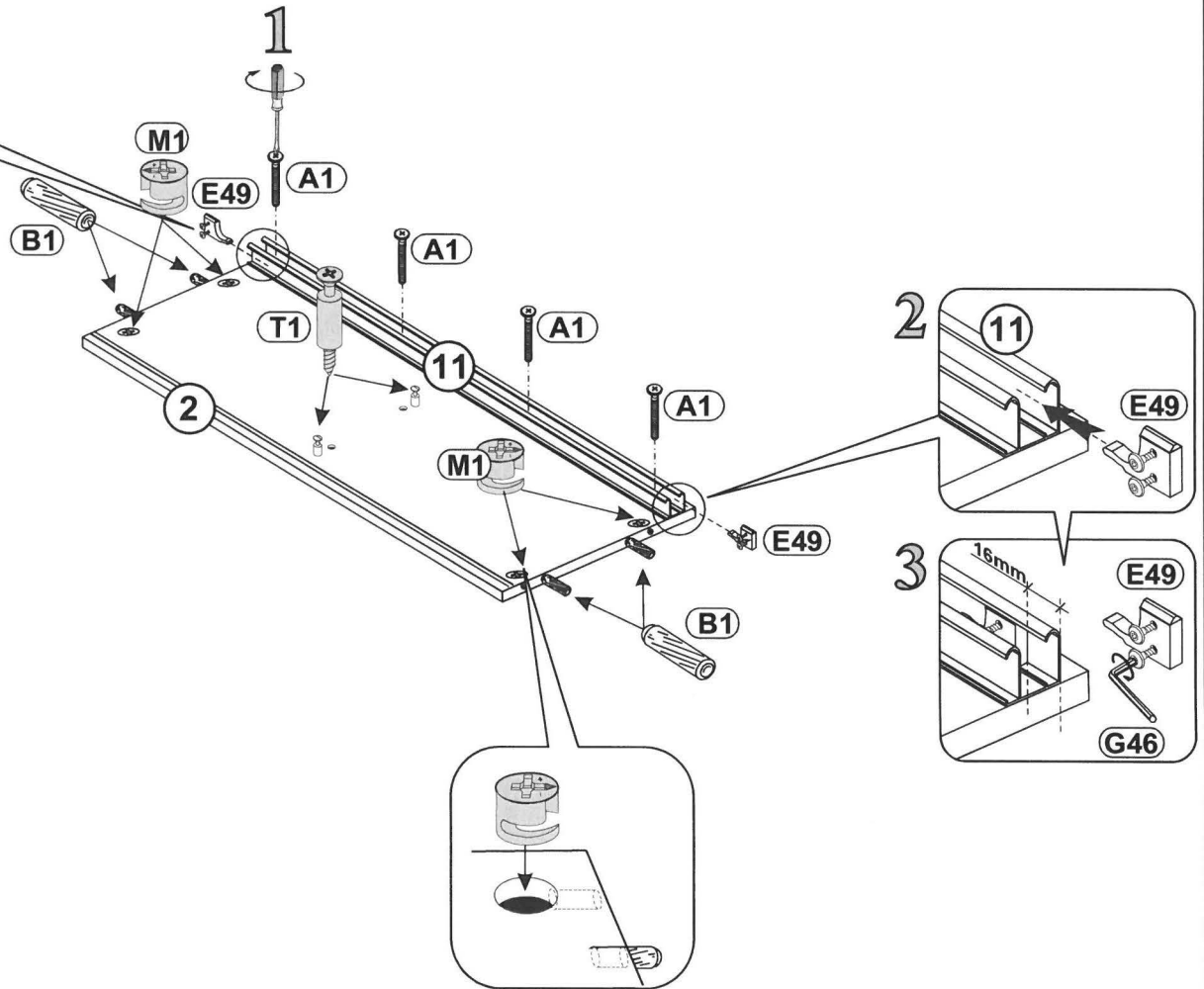
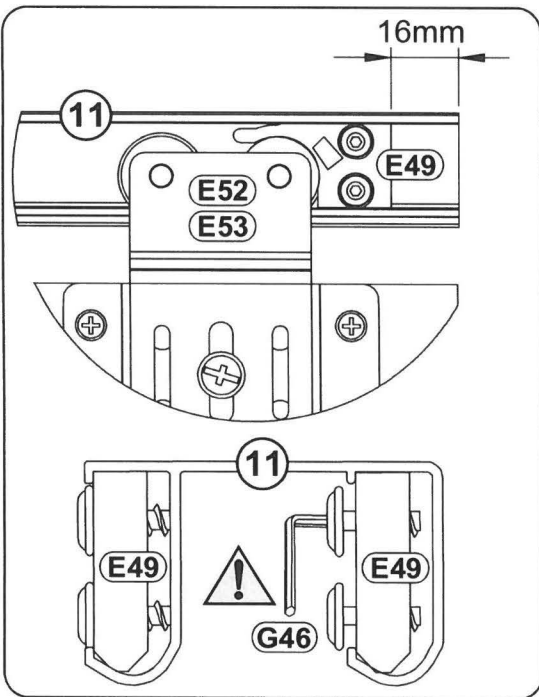
5a



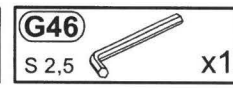
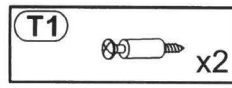
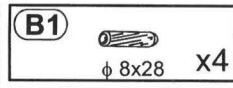
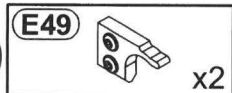
option "c"



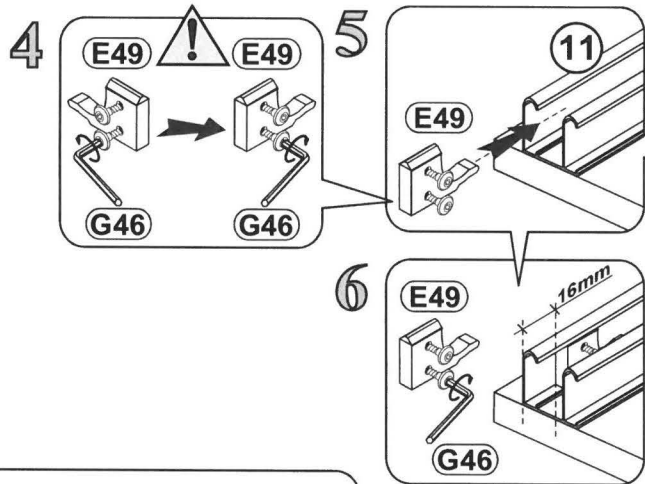
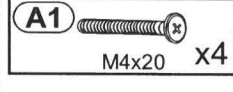
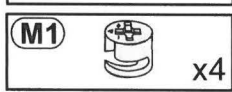
3a



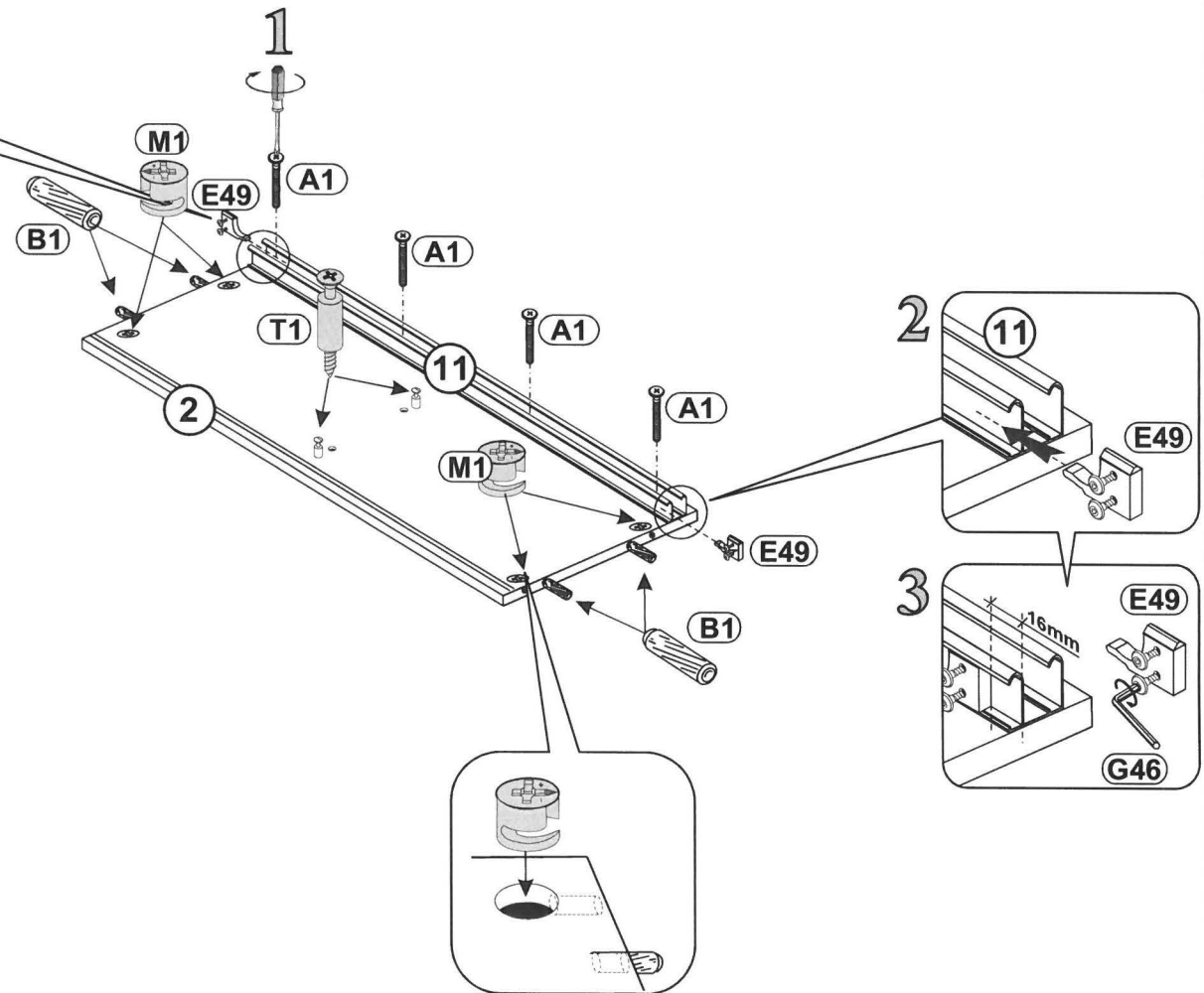
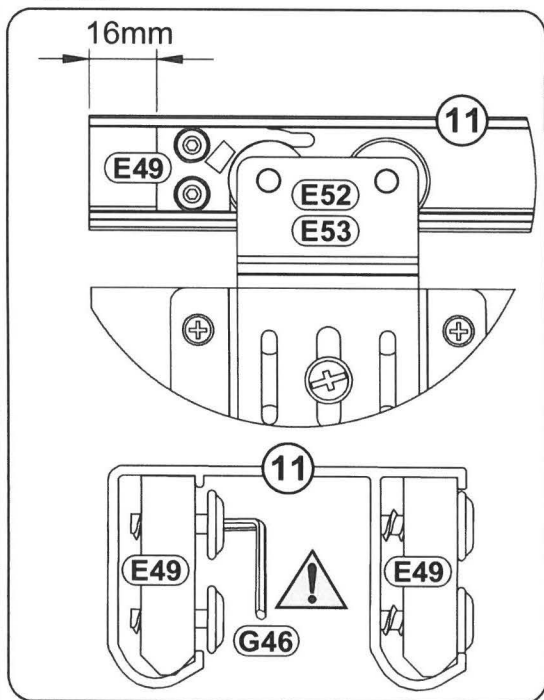
5b



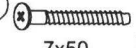

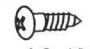
option "d"

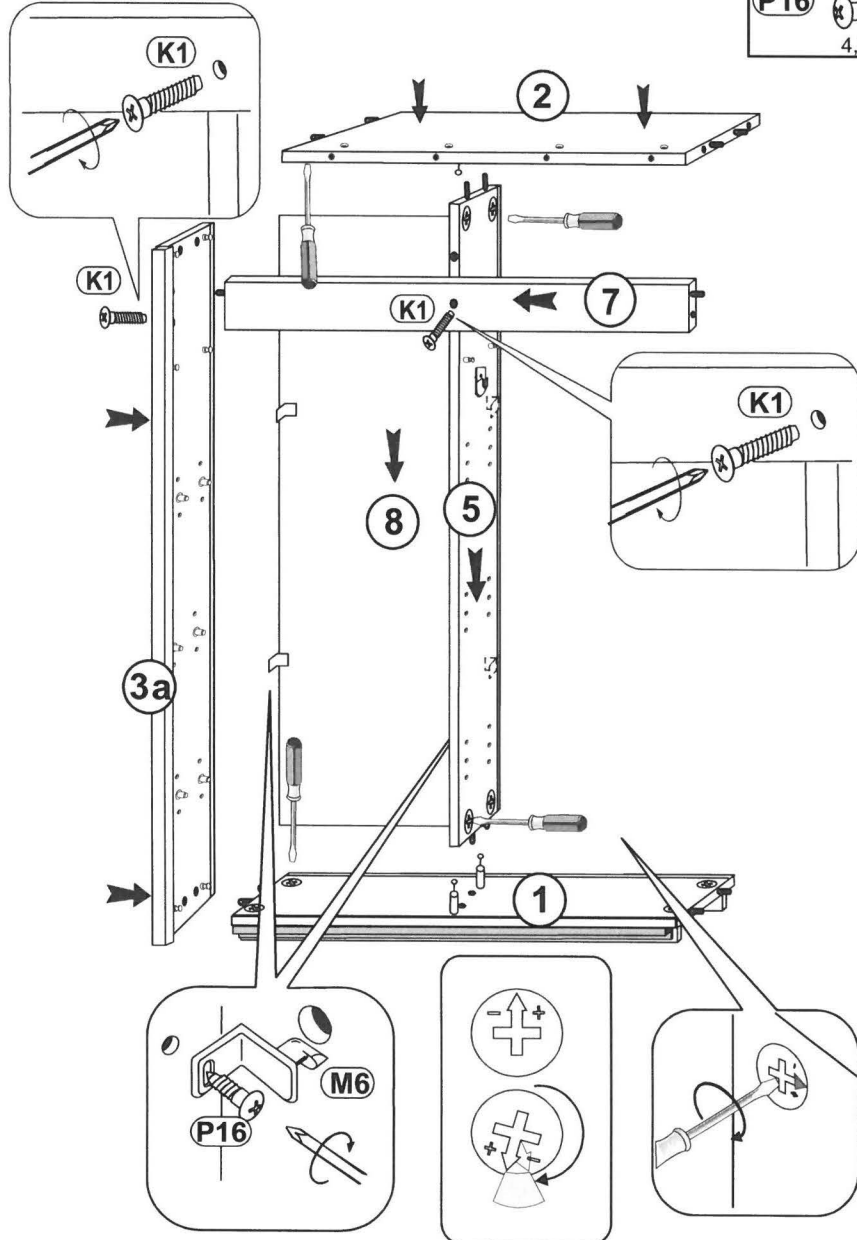


6a

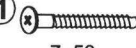
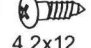



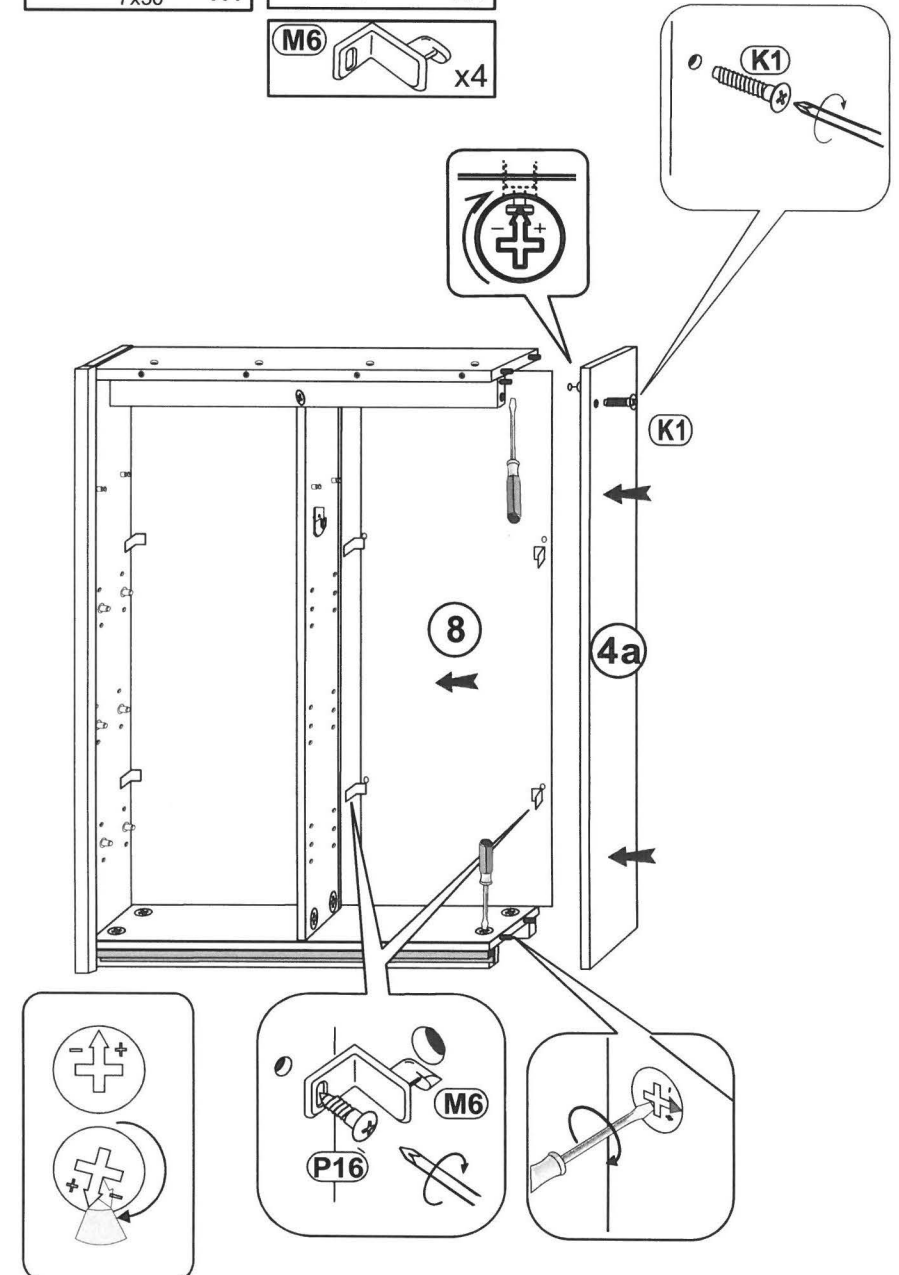
6 option "a"

- K1**  7x50 x2
- M6**  x4
- P16**  4,2x12 x4

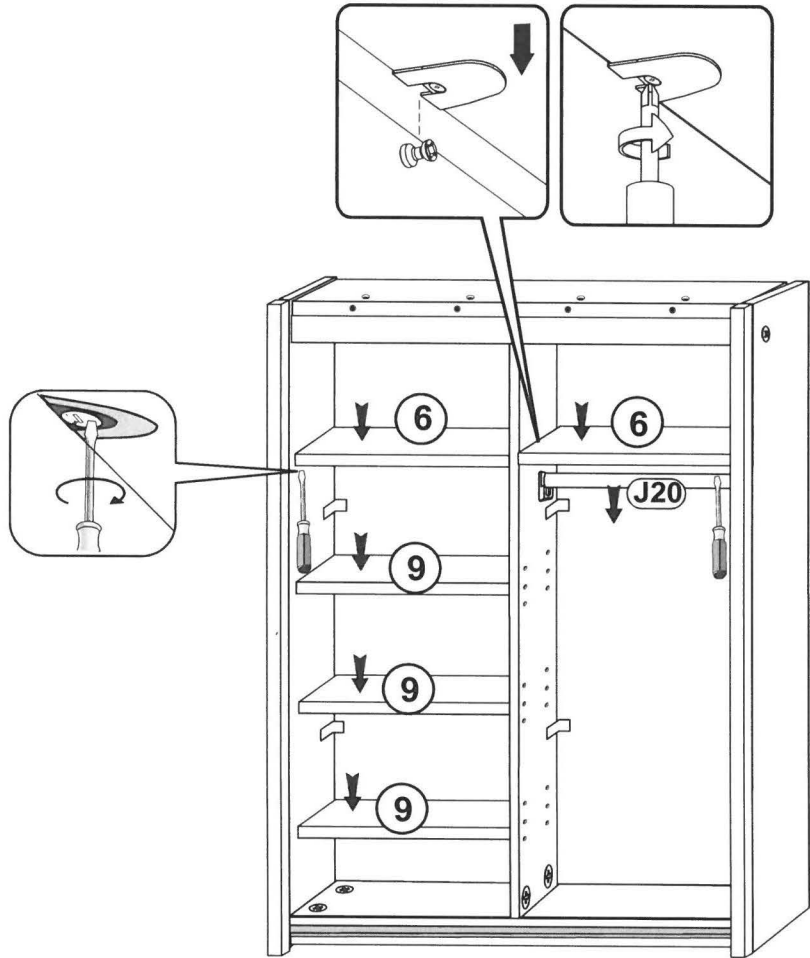
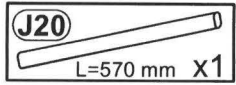


7

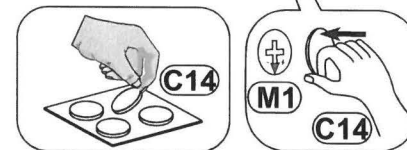
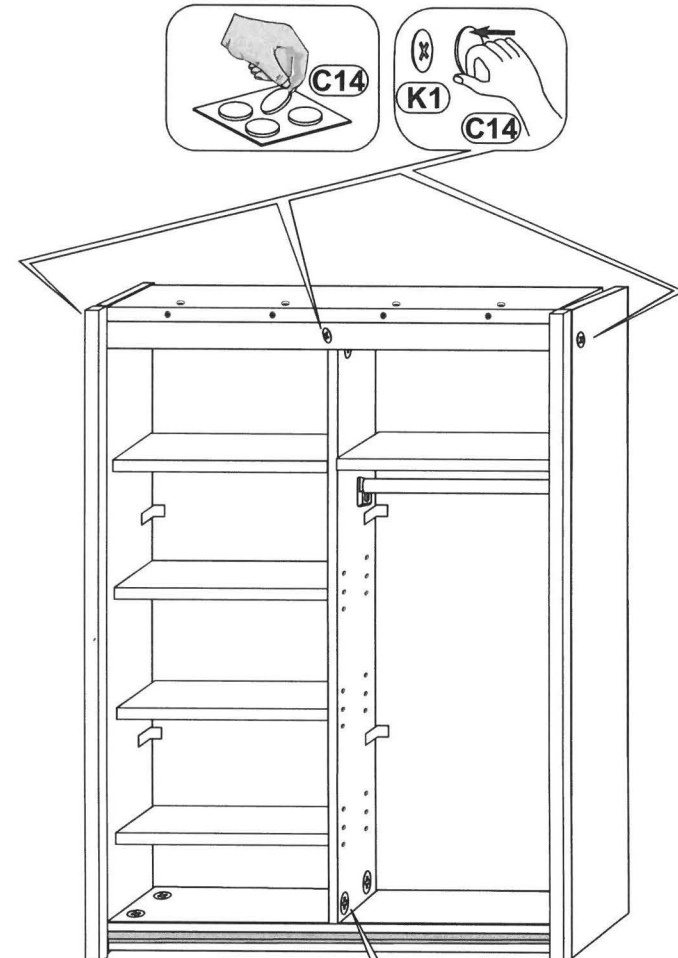
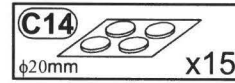
- K1**  7x50 x1
- P16**  4,2x12 x4
- M6**  x4



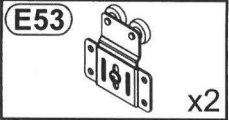
8



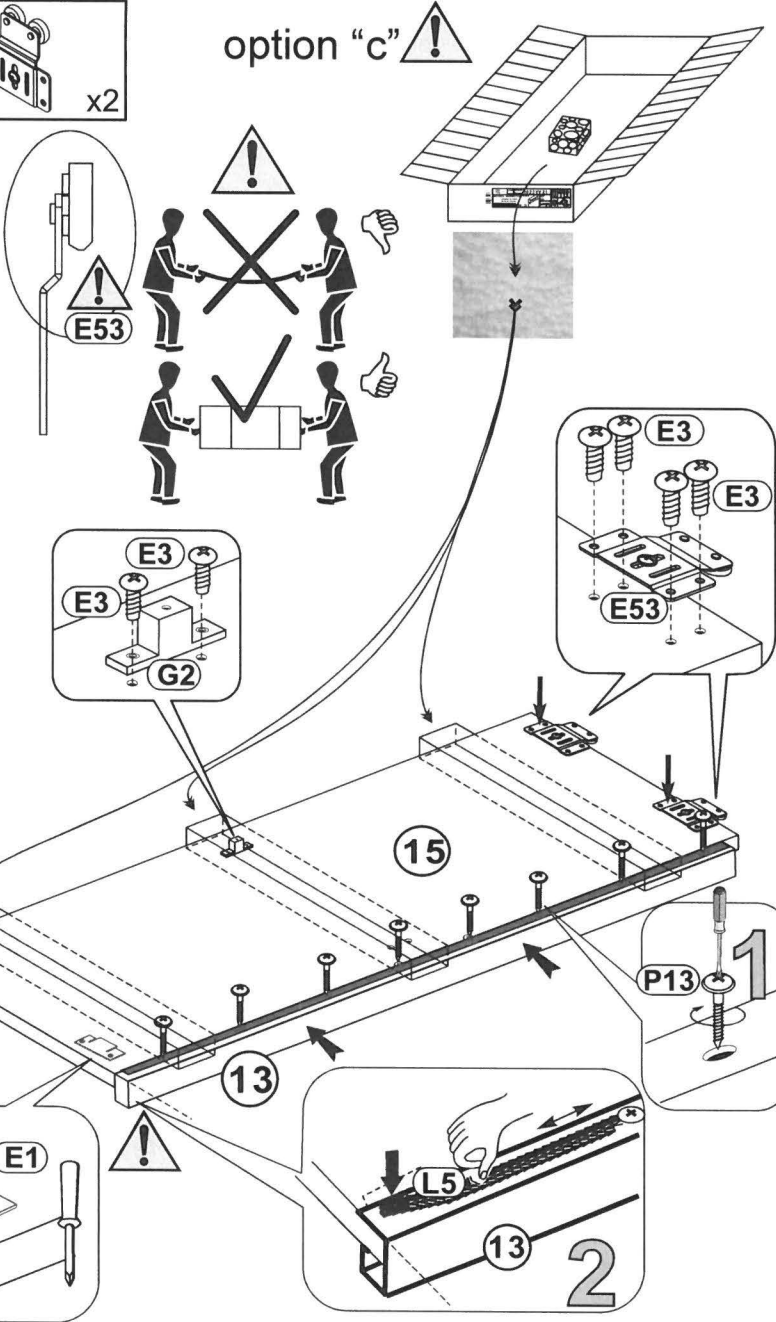
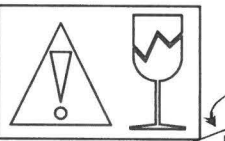
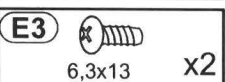
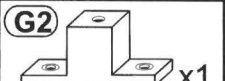
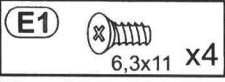
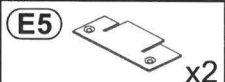
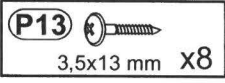
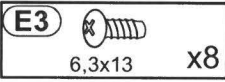
9



10



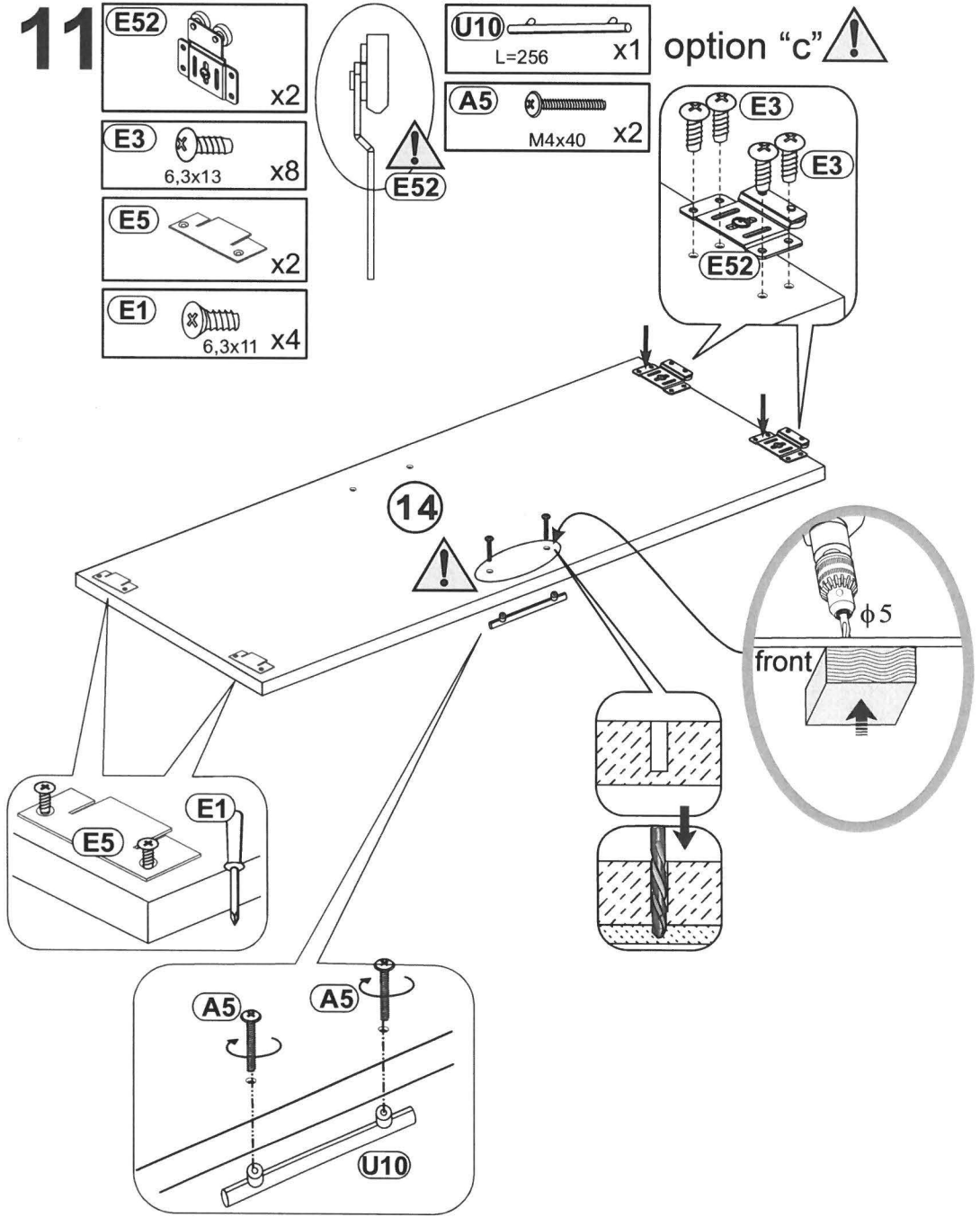
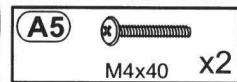
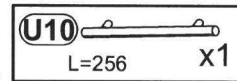
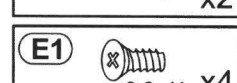
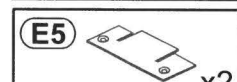
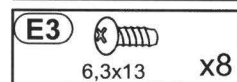
option "c"



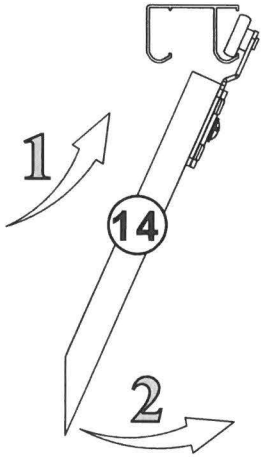
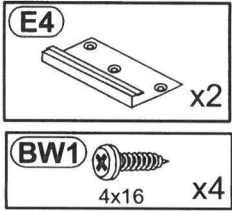
11



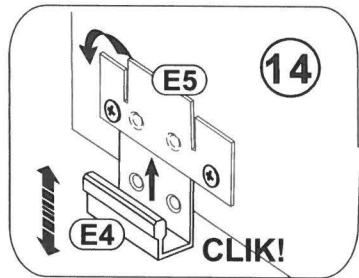
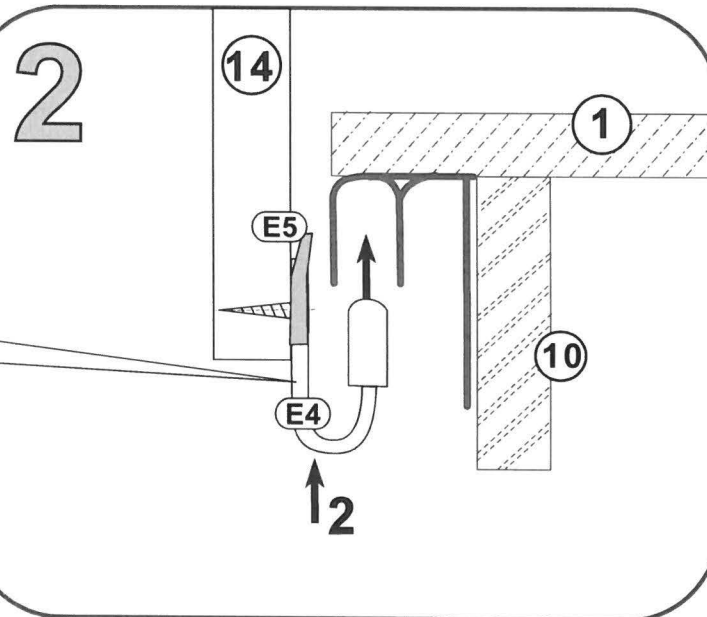
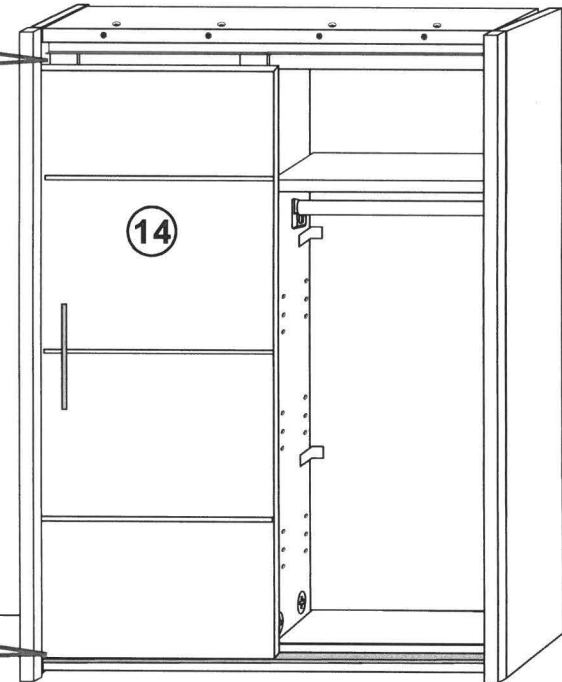
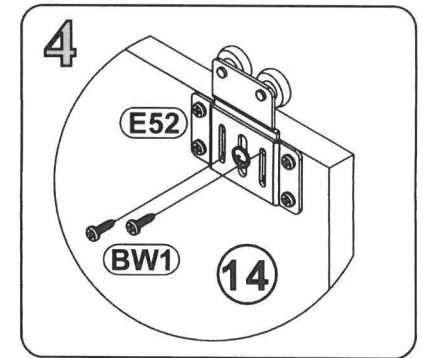
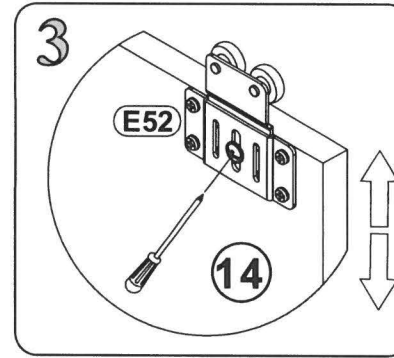
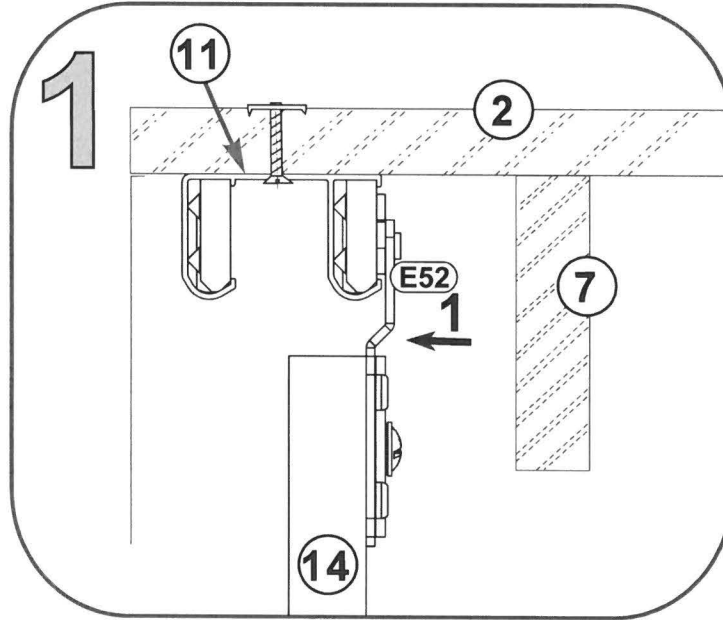
option "c"



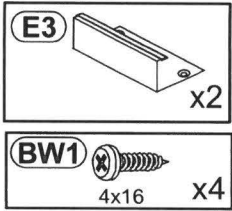
12



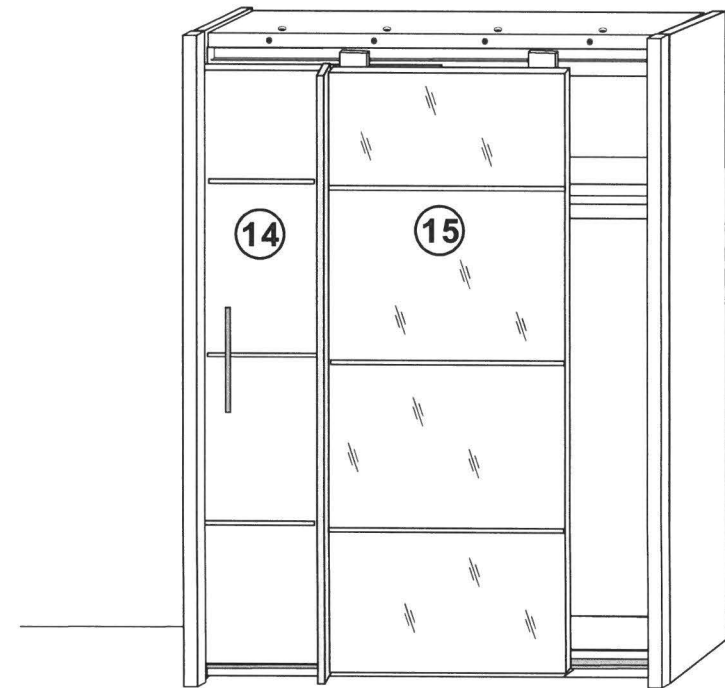
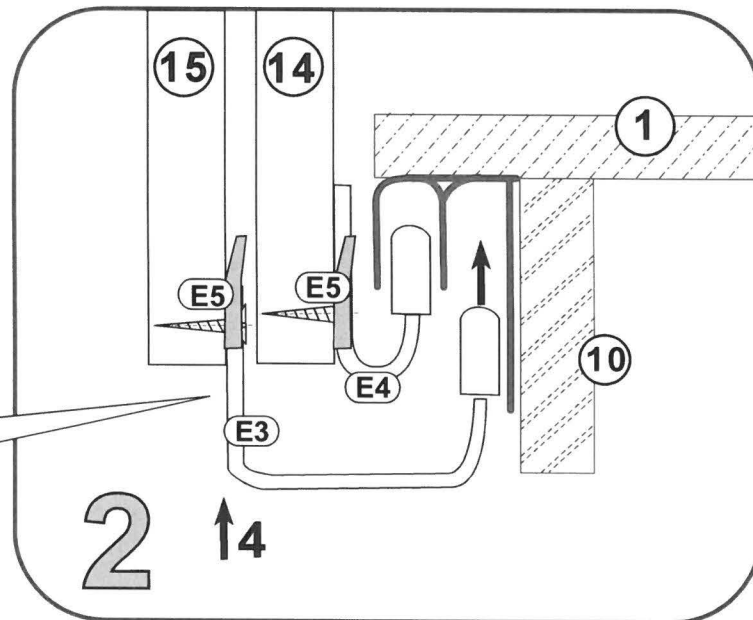
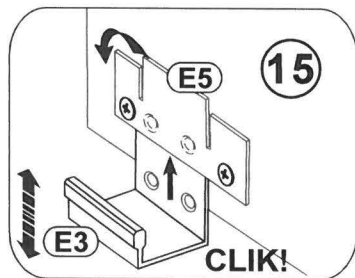
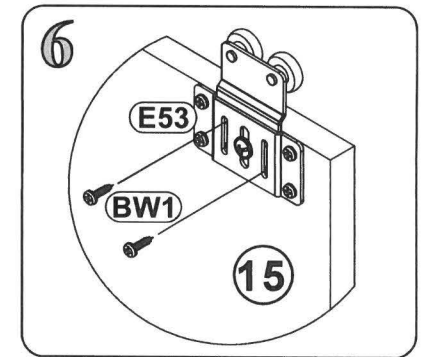
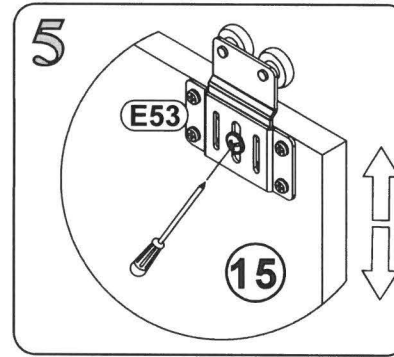
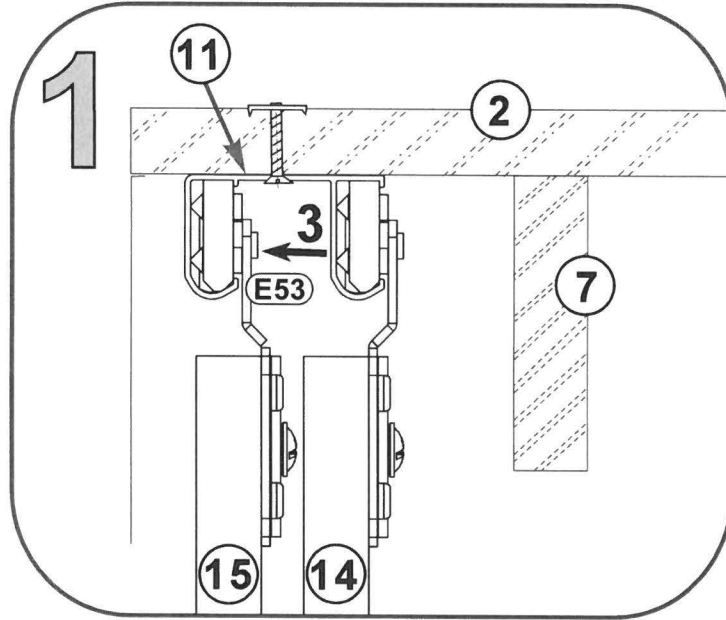
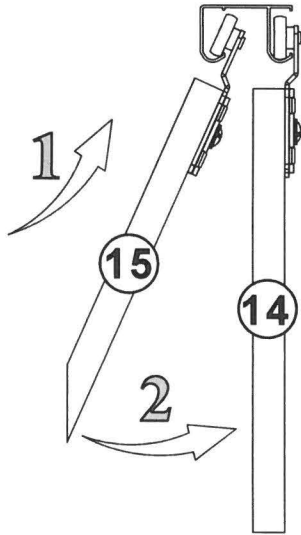
option "c"



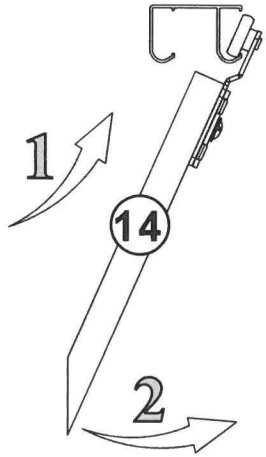
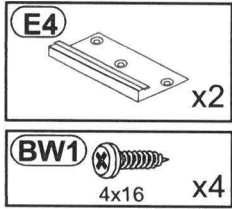
13



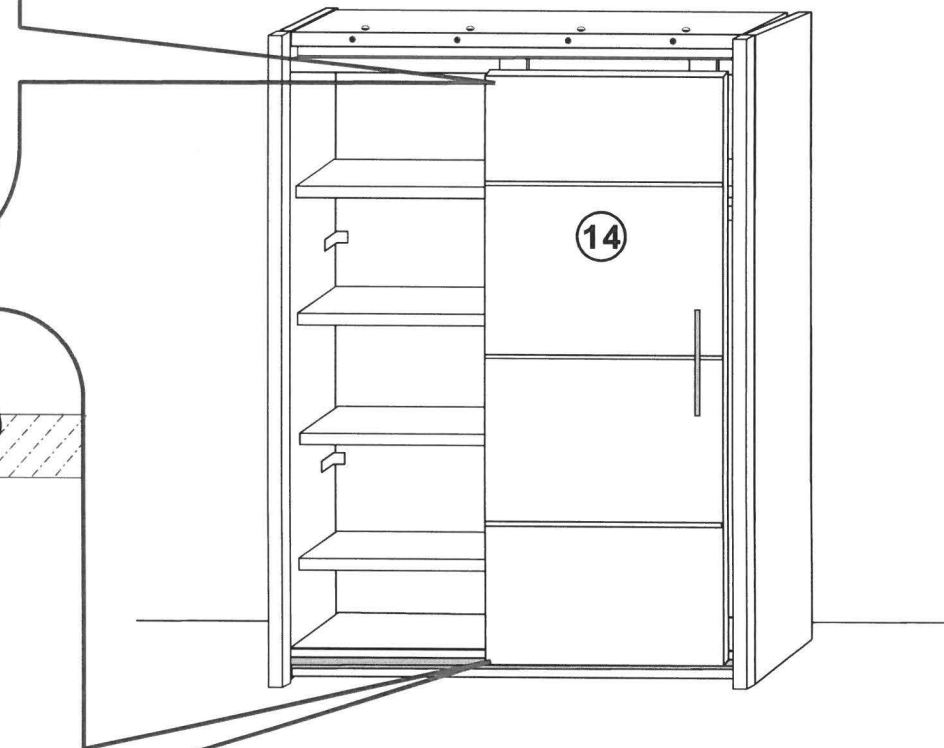
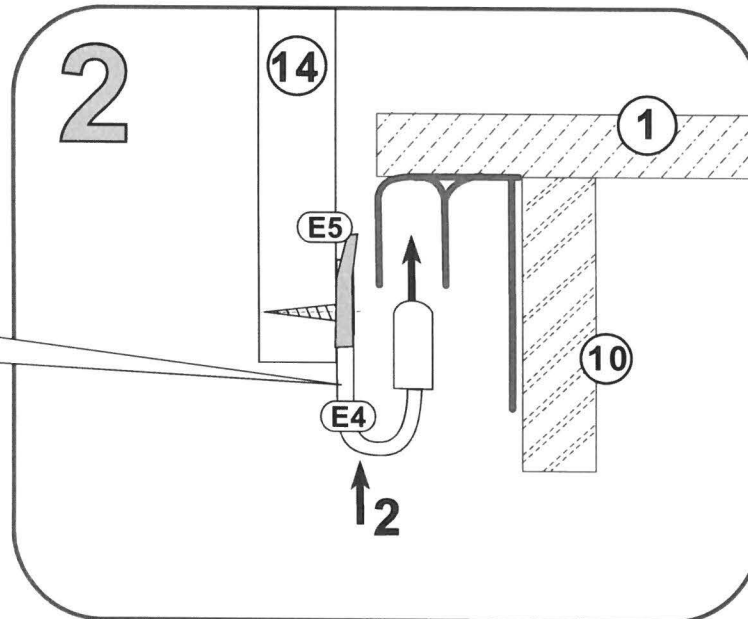
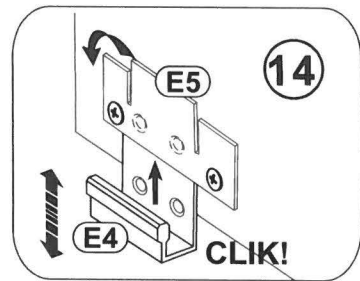
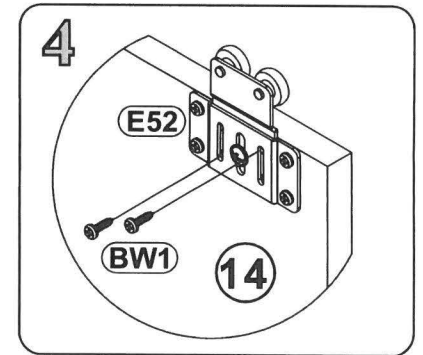
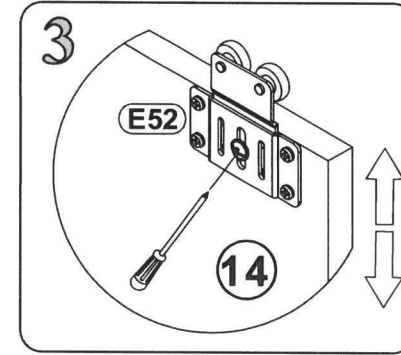
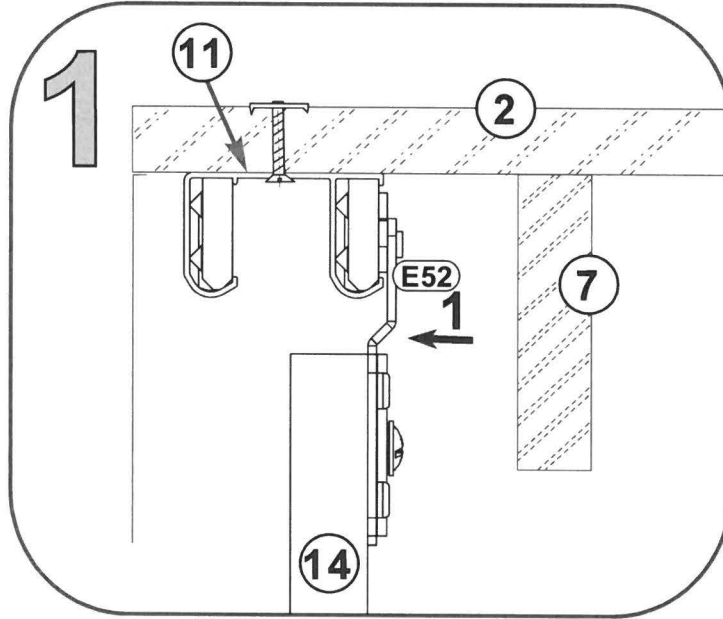
option "c" ⚠



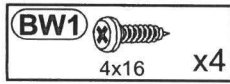
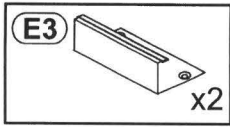
16



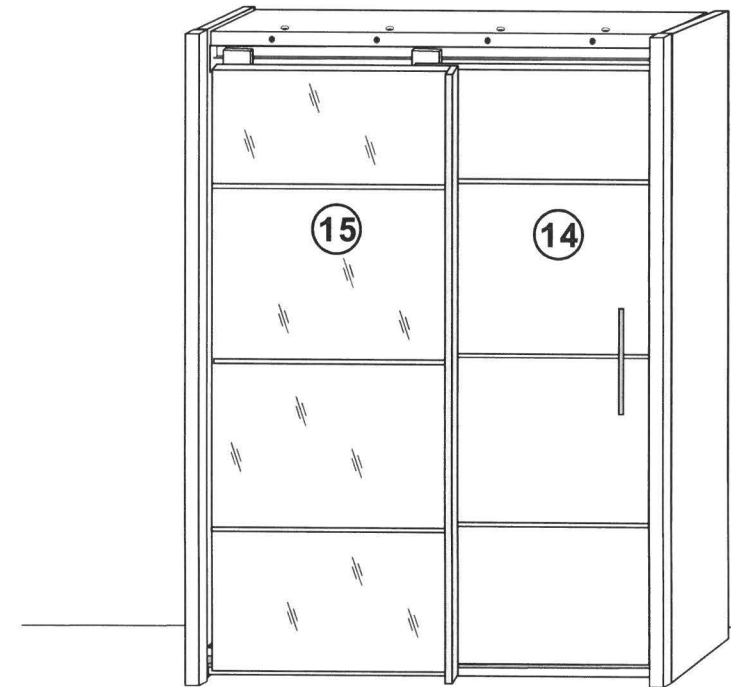
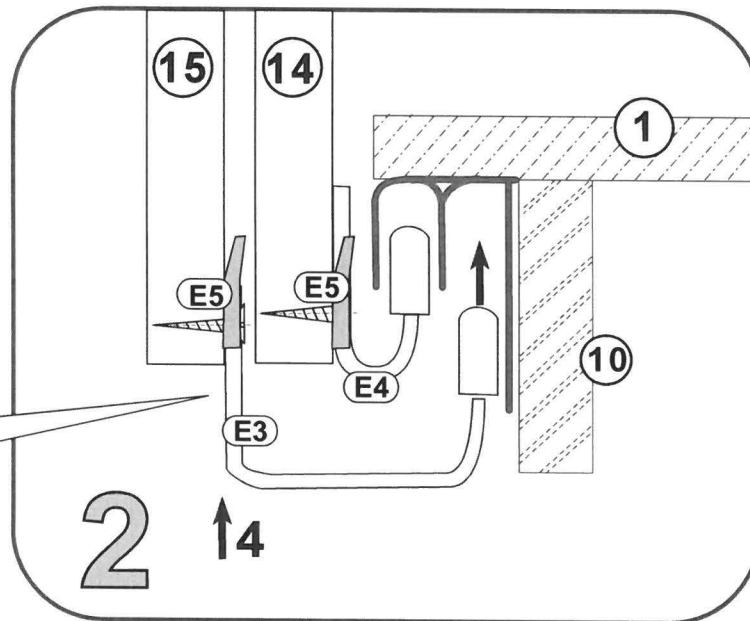
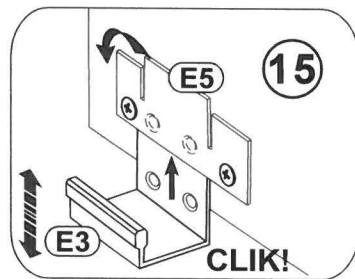
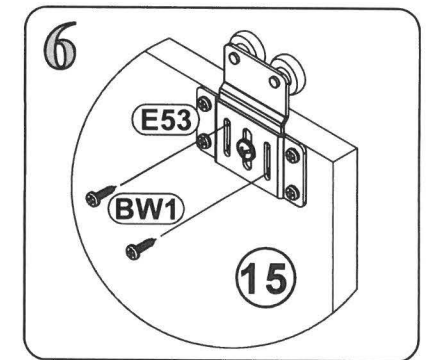
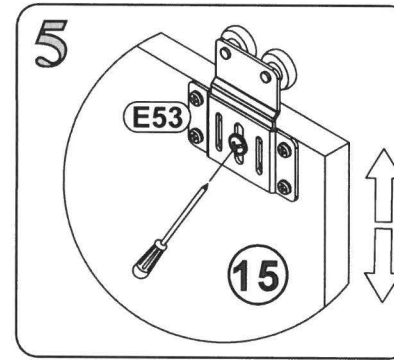
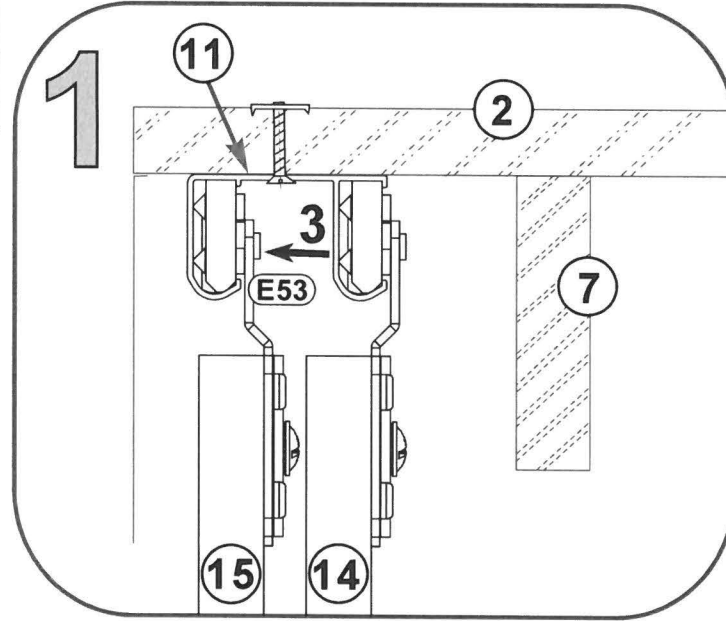
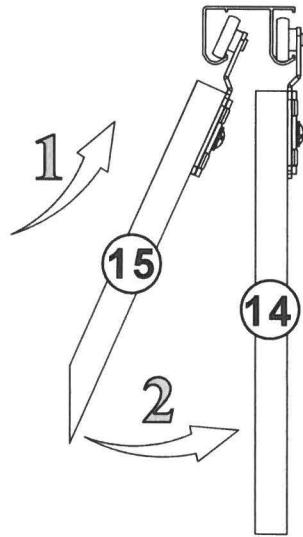
option "d" ⚠



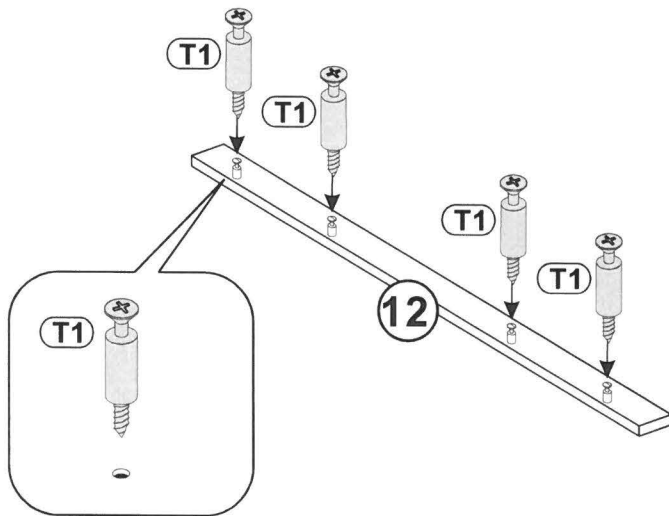
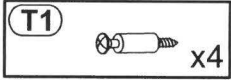
17



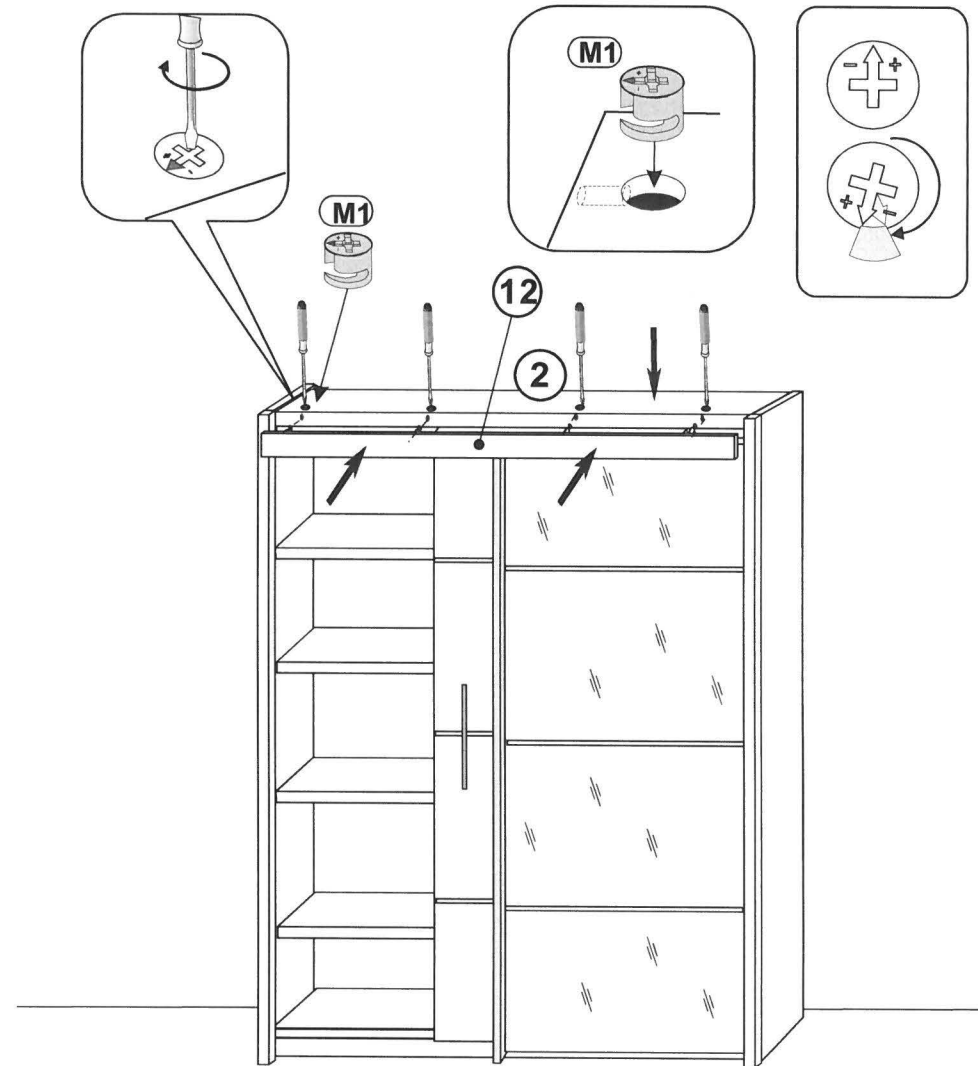
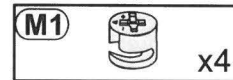
option "d" 






18



19



20

- L4**  x3
- J11**  x2
- P13**  3,5x13 mm X4

