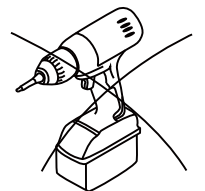
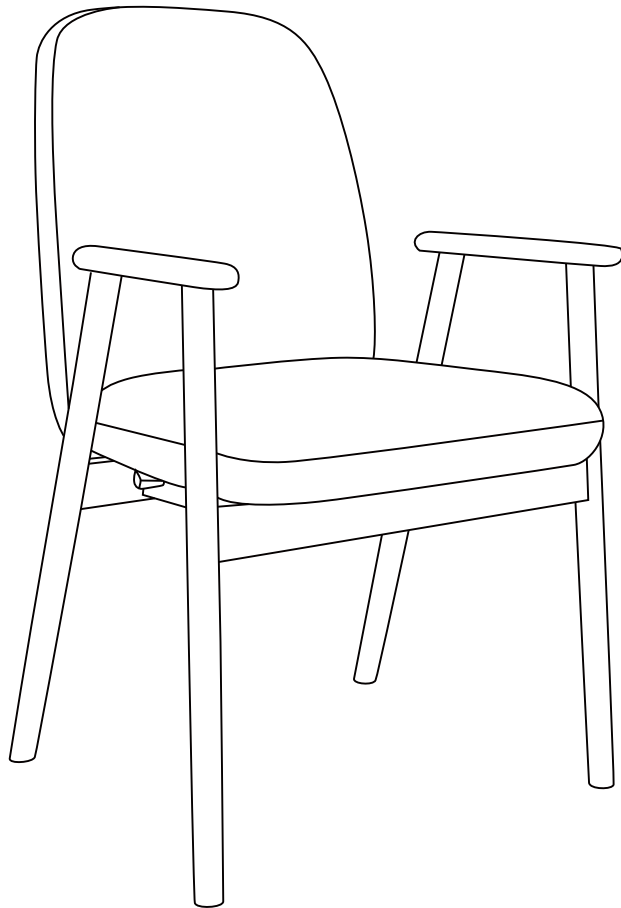
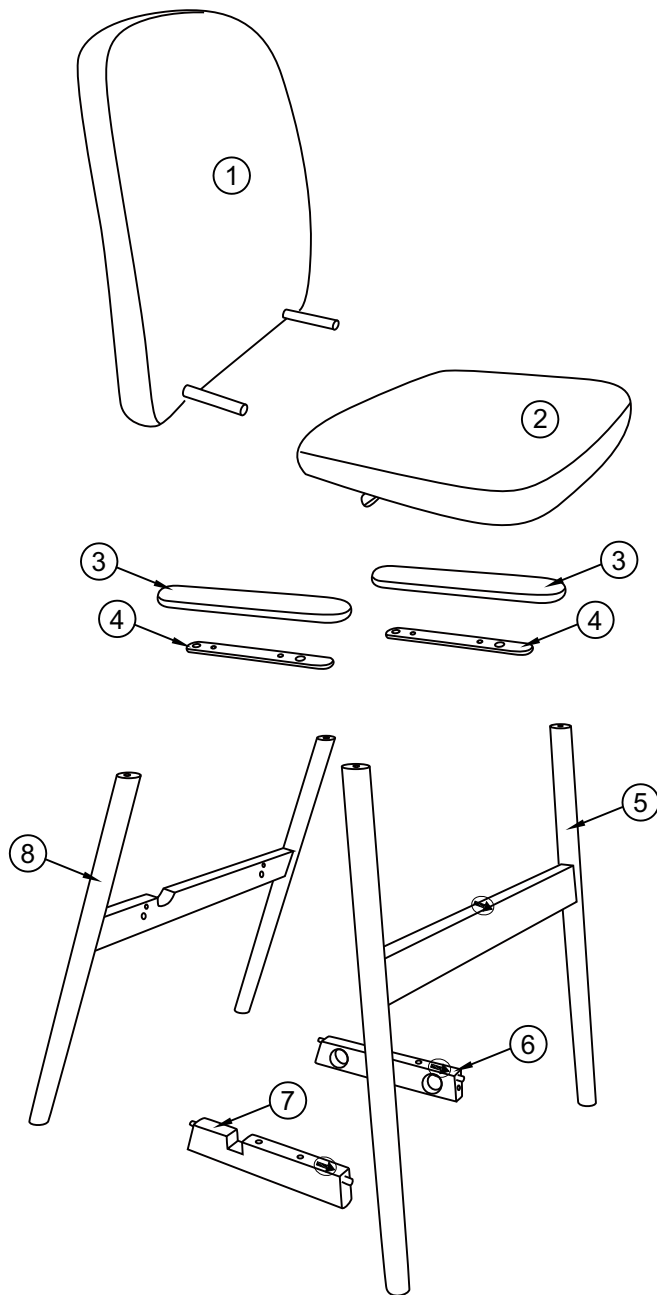
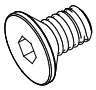
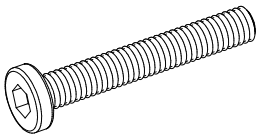
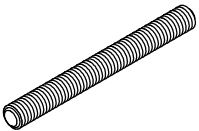
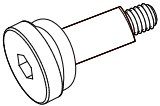

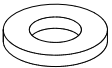
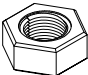
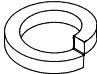
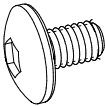
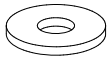


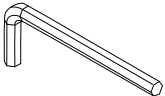



# CALVIN

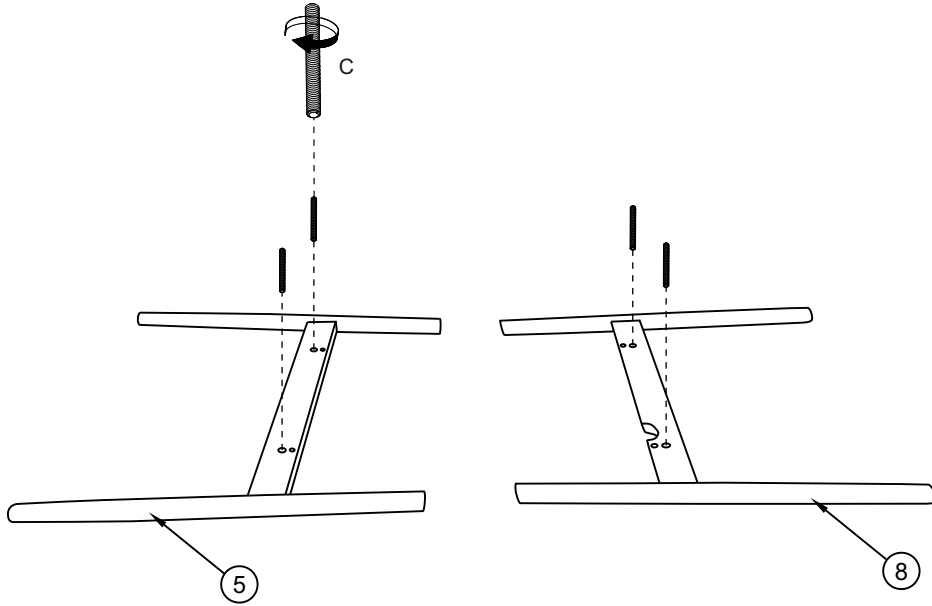
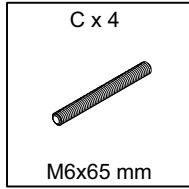


			✓
①	1	525x450x140	
②	1	450x500x115	
③	2	315x55x20	
④	2	240x30x4	
⑤	1	620x580x32	
⑥	1	300x25x50	
⑦	1	300x25x50	
⑧	1	645x550x32	



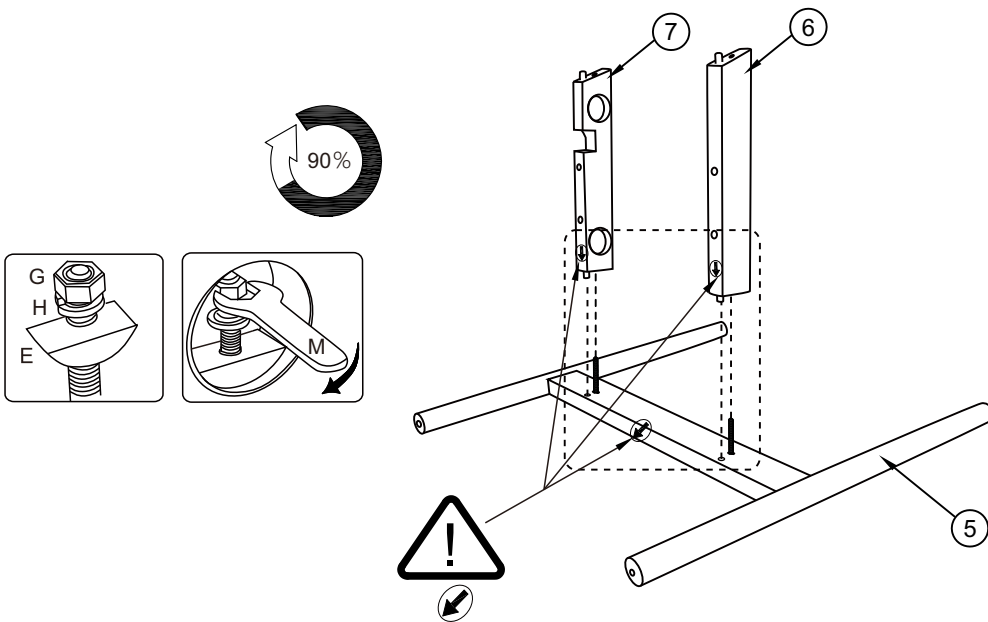
<p>A x 8</p>  <p>M6 x 14 mm</p>	<p>B x 4</p>  <p>M6 x 50 mm</p>	<p>C x 4</p>  <p>M6 x 65 mm</p>	<p>D x 1</p>  <p>Ø8xM6-14-10 mm</p>	<p>E x 4</p>  <p>27x12x6 mm</p>
<p>F x 4</p>  <p>Ø6/Ø13 mm</p>	<p>G x 4</p>  <p>M6/10 mm</p>	<p>H x 4</p>  <p>Ø6 mm</p>	<p>J x 4</p>  <p>M6 x 16 mm</p>	<p>K x 4</p>  <p>Ø6/Ø16 mm</p>
<p>L x 4</p>  <p>Ø25 x 5 mm</p>	<p>M x 1</p>  <p>10 mm</p>	<p>N x 1</p>  <p>5 mm</p>	<p>P x 1</p>  <p>4 mm</p>	

# 1


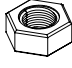
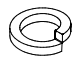



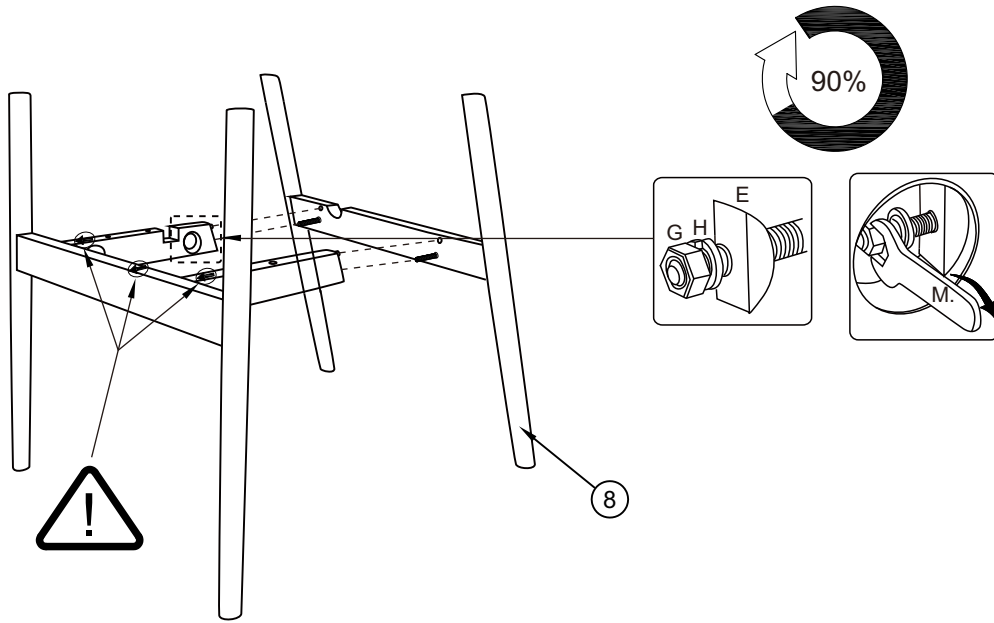
# 2

E x 2	G x 2	H x 2	M x 1
27x12x6 mm	M6/10 mm	Ø6 mm	10 mm





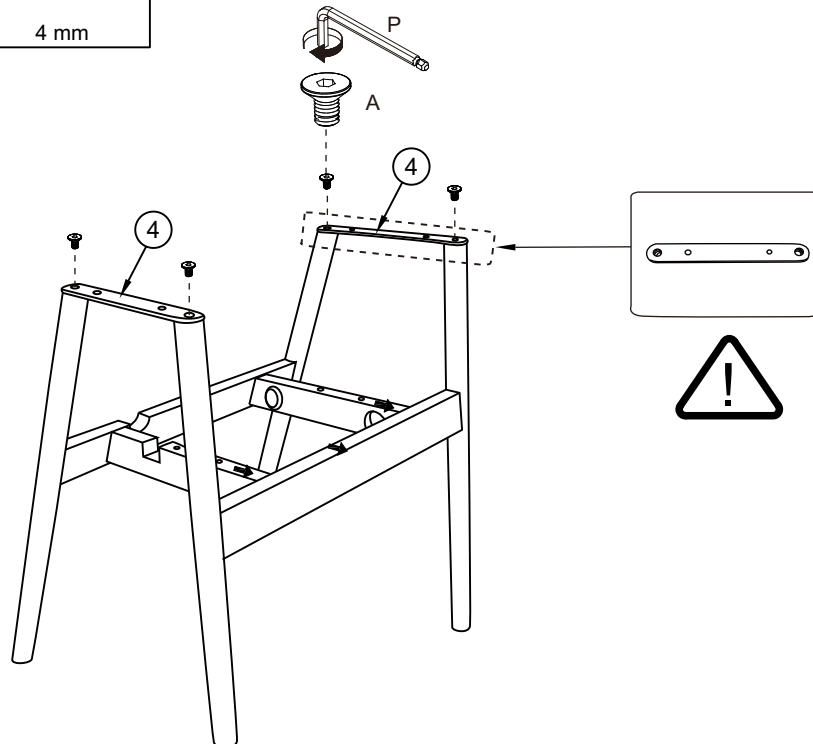
# 3

E x 2  27x12x6 mm	G x 2  M6/10 mm	H x 2  Ø6 mm	M x 1  10 mm
--	--	---	---

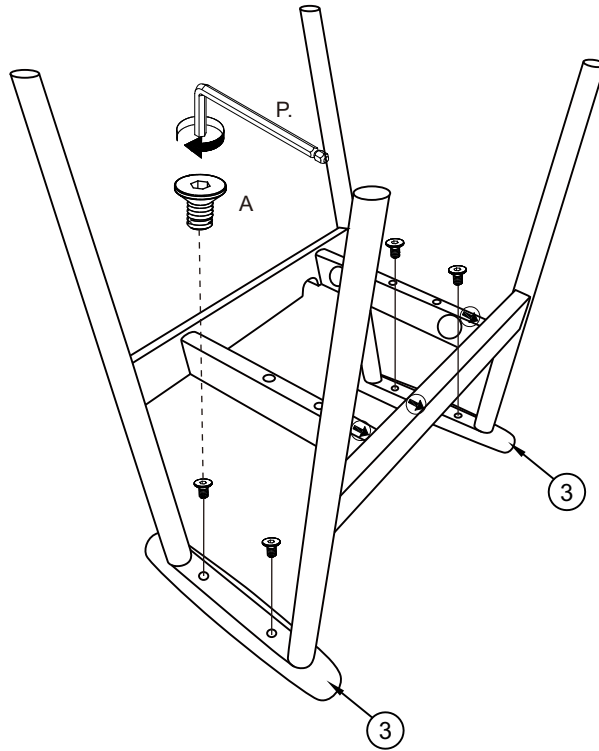
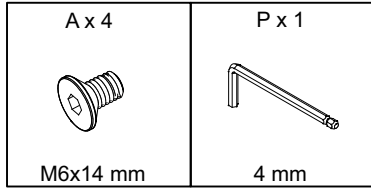


# 4

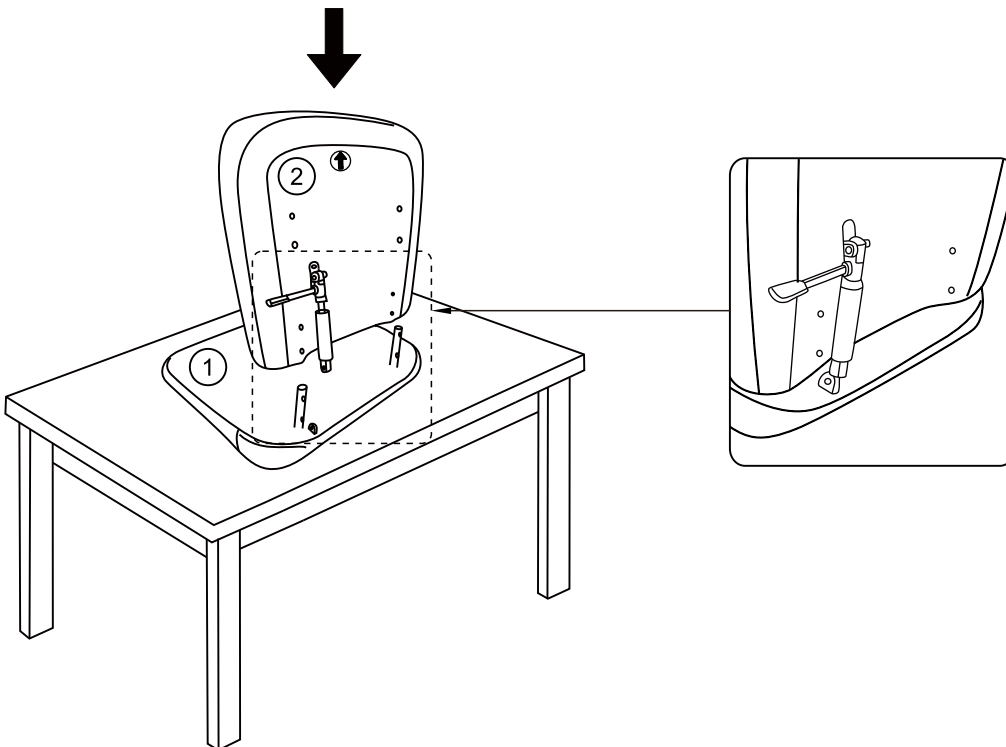
A x 4  M6x14 mm	P x 1  4 mm
--	--






# 5

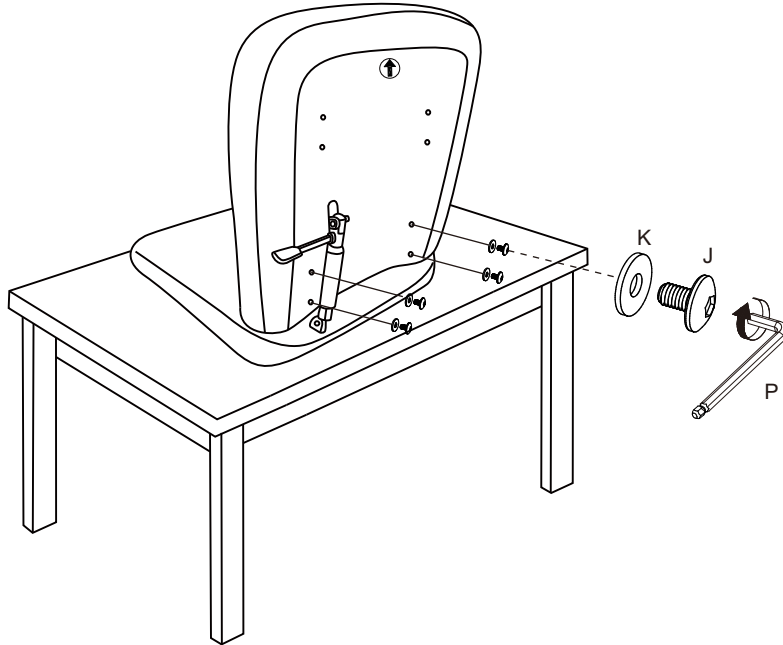


# 6

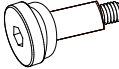



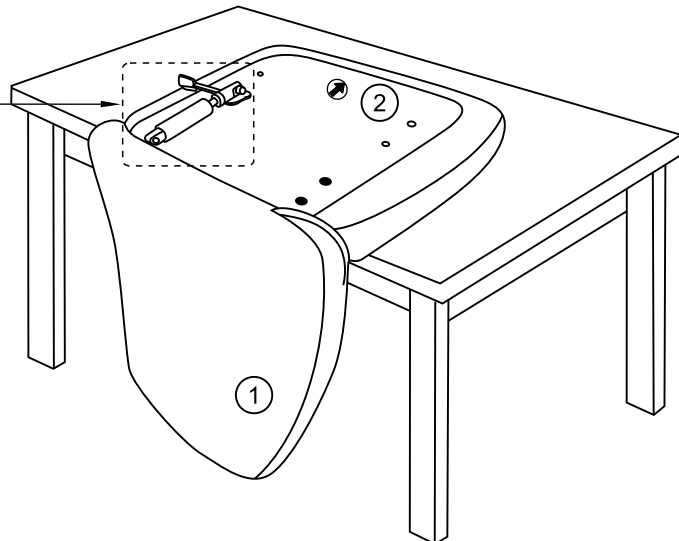
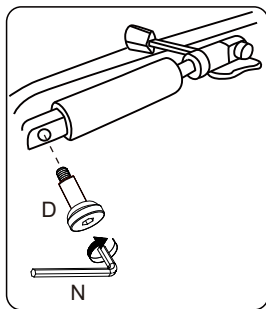
# 7

J x 4  M6x16 mm	K x 4  Ø6/Ø16 mm	P x 1  4 mm
--	---	--

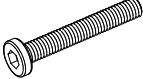


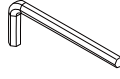


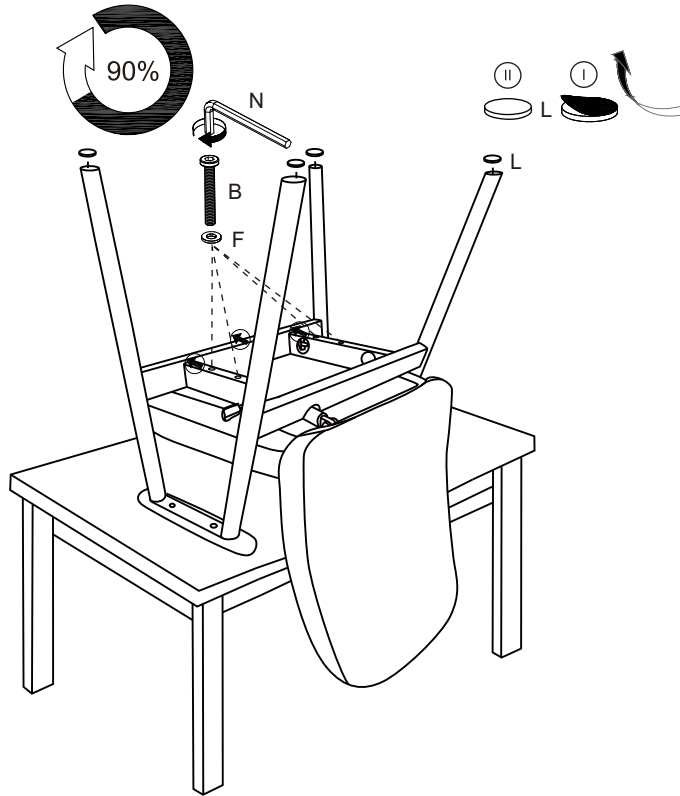
# 8

D x 1  Ø8xM6-14-10 mm	N x 1  5 mm
--	--

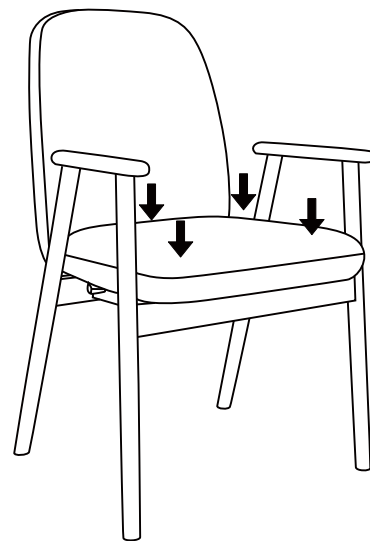
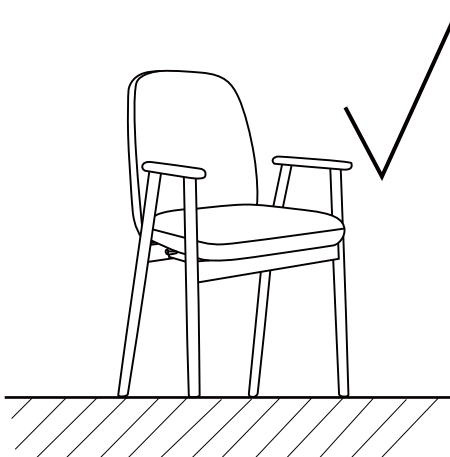
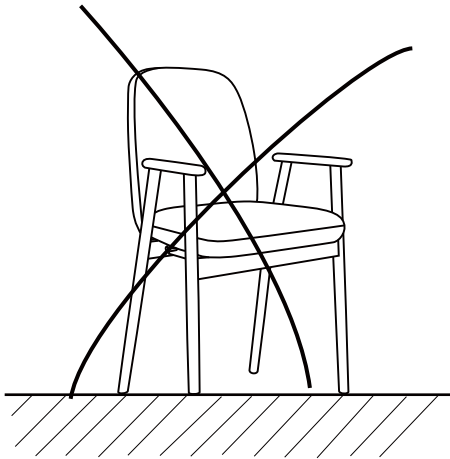


# 9



B x 4  M6x50 mm	F x 4  Ø6/Ø13 mm	L x 4  Ø25x5 mm	N x 1  5 mm
--	---	--	--

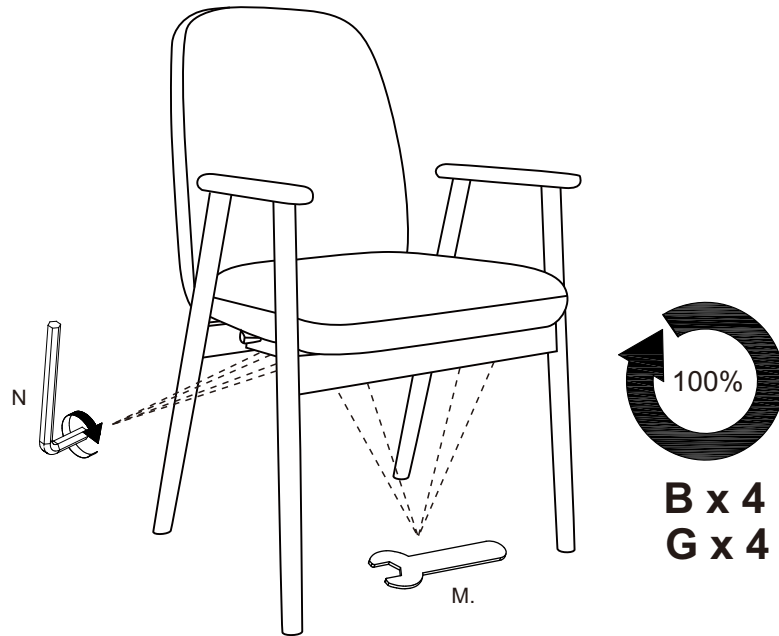


# 10

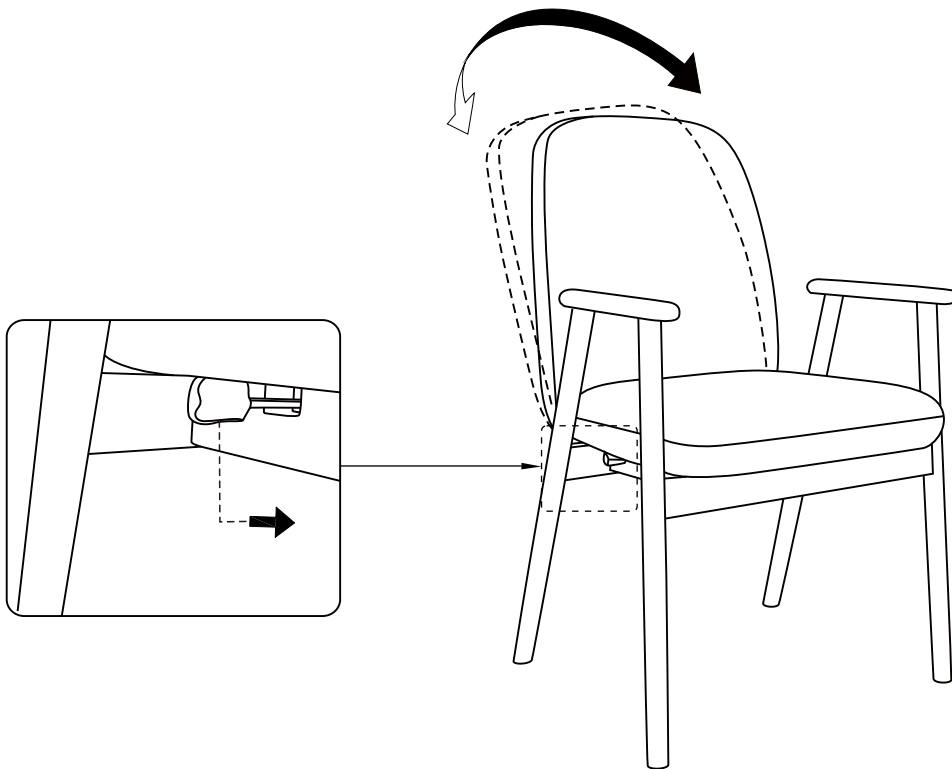


# 11

M x 1	N x 1
	
10 mm	5 mm



# 12



13

