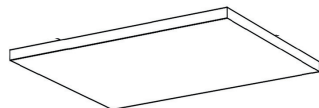
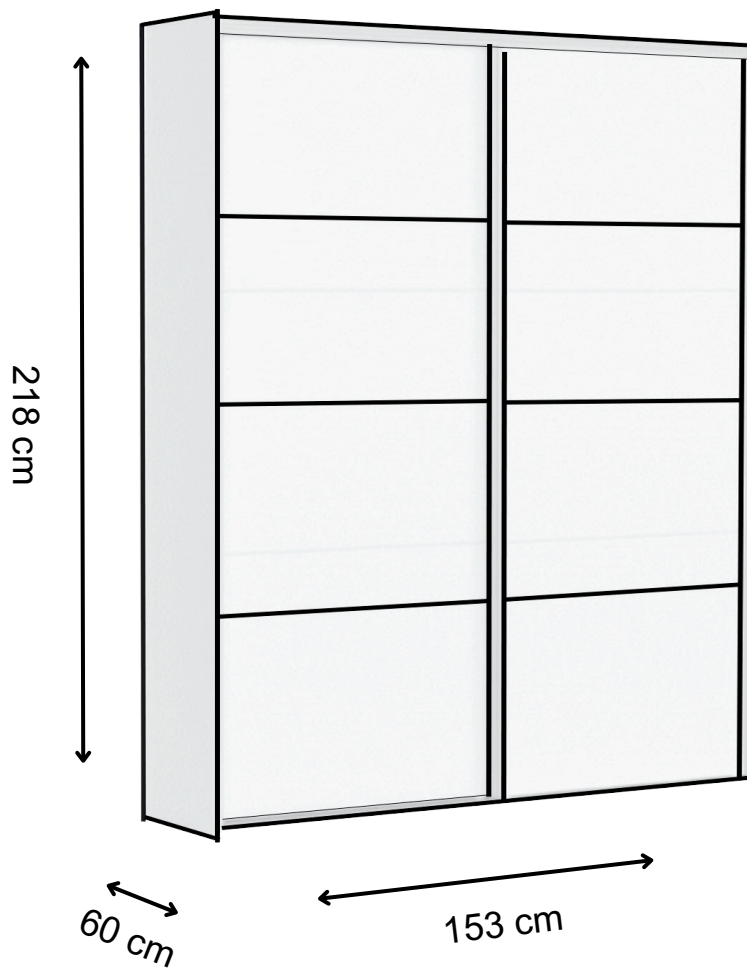


153 cm

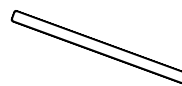
SHAPE

MONTERINGSANVISNING

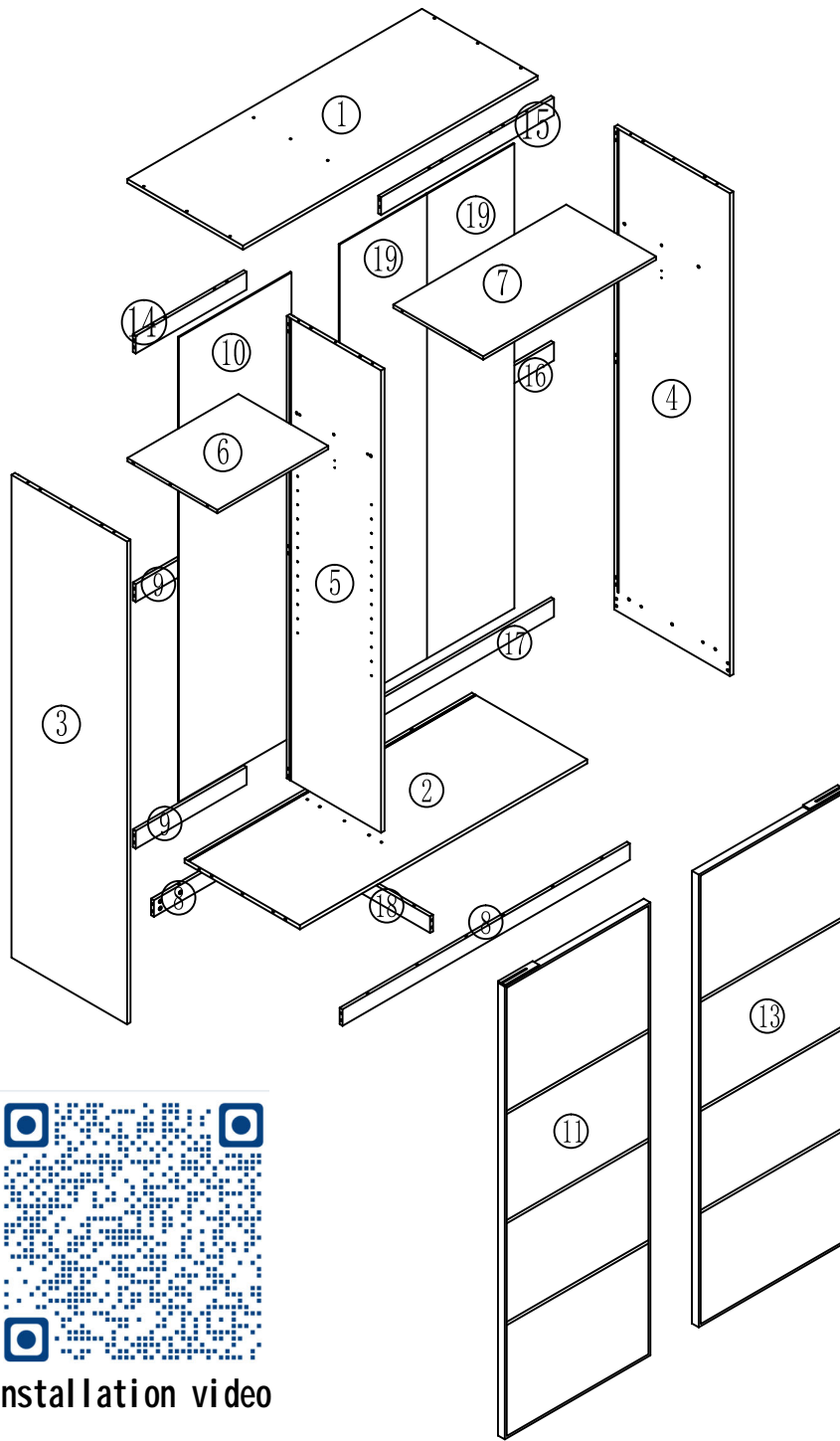
Installation manual



2x Hattehyller
2x Topshelves



2x Garderobestenger
2x Wardrobe rods



BOX 1

⑪	2035x750x35	1 PC
⑬	2035x750x35	1 PC

BOX 2

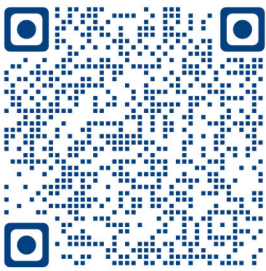
③	2170x600x18	1 PC
④	2170x600x18	1 PC

BOX 3

⑤	2078x490x18	1 PC
⑥	576x467x15	1 PC
⑦	898x467x15	1 PC
⑩	2088x585x5	1 PC
⑲	2088x453.5x5	2 PCS

BOX 4

①	1530x600x18	1 PC
②	1492x599x18	1 PC
⑧	1492x74x15	2 PCS
⑨	576x80x15	2 PCS
⑭	576x80x15	1 PC
⑮	898x80x15	1 PC
⑯	898x80x15	1 PC
⑰	898x80x15	1 PC
⑱	565x74x15	1 PC



Installation video

Ax66



Bx66



Cx25



M8x40

Dx4



Ex45



M3.5x14

Fx15



M7x50

Gx1



M5

Hx1



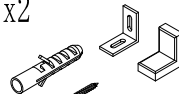
L=570mm

Ix1



L=892mm

Jx2



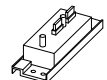
Kx35



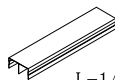
Lx8



Mx2



Nx1



L=1491mm

Ox1



L=1491mm

Qx20



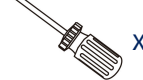
M3.5x16

Rx1



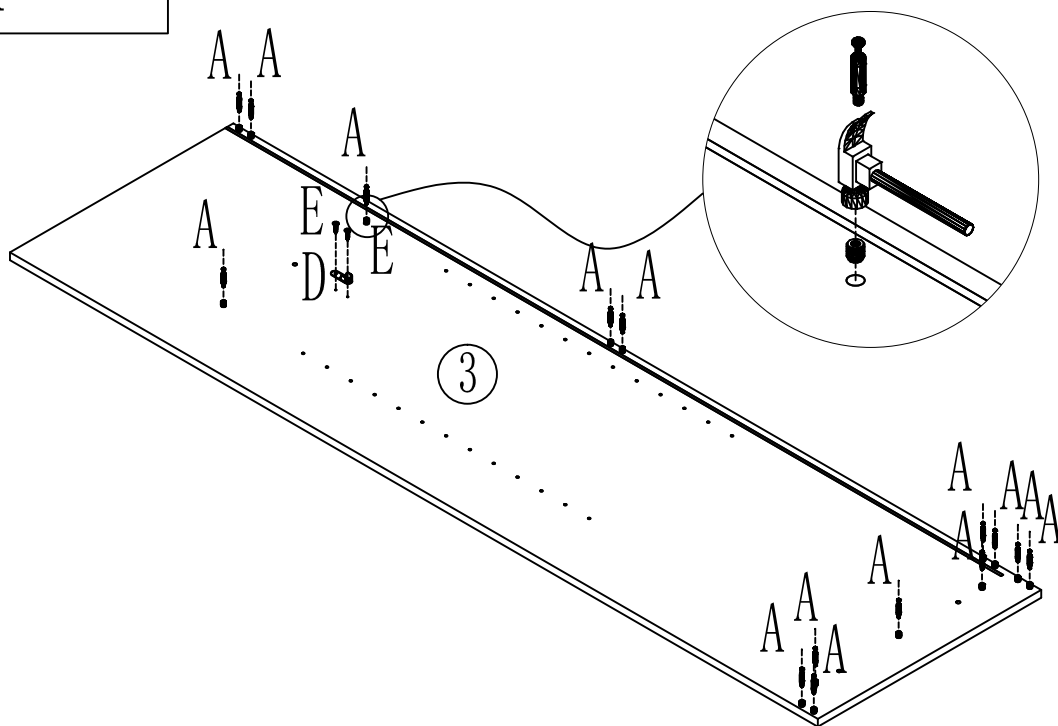
Extra wheel

Sx1



x1

Step 1



Ax15



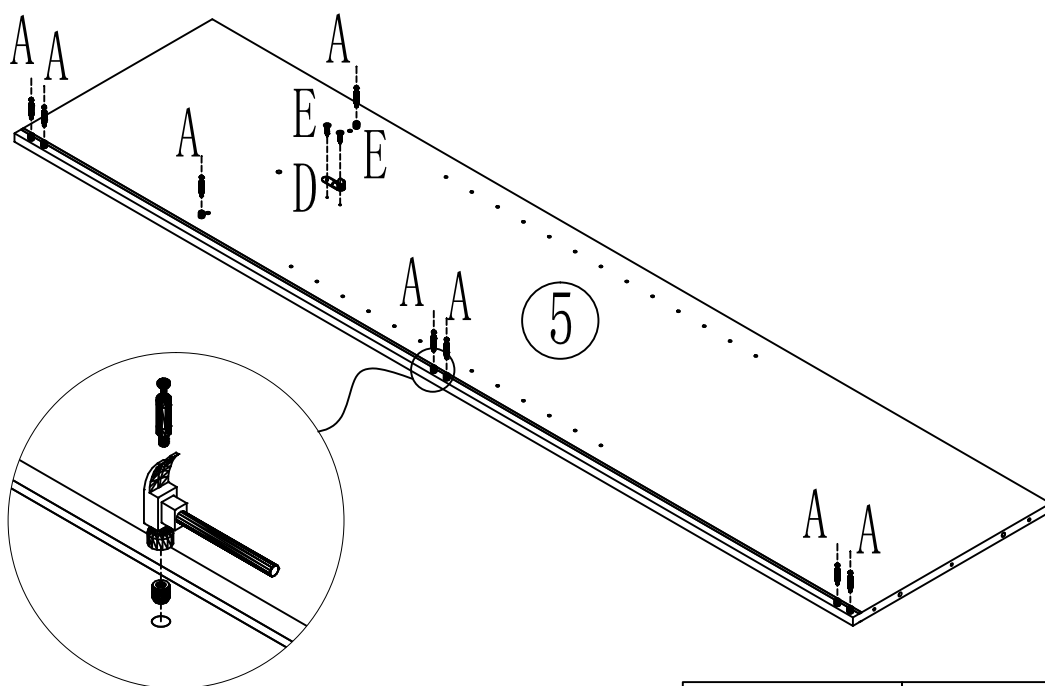
Dx1



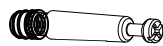
Ex2



Step 2



Ax8



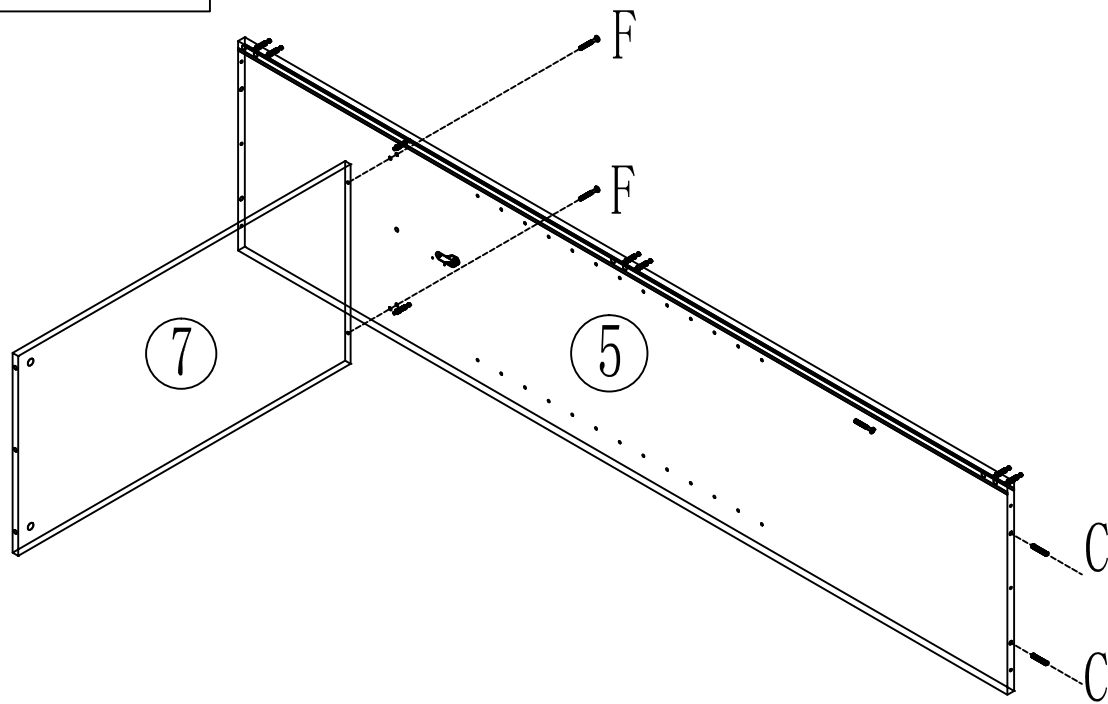
Dx1



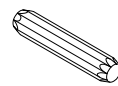
Ex2



Step 3



Cx2



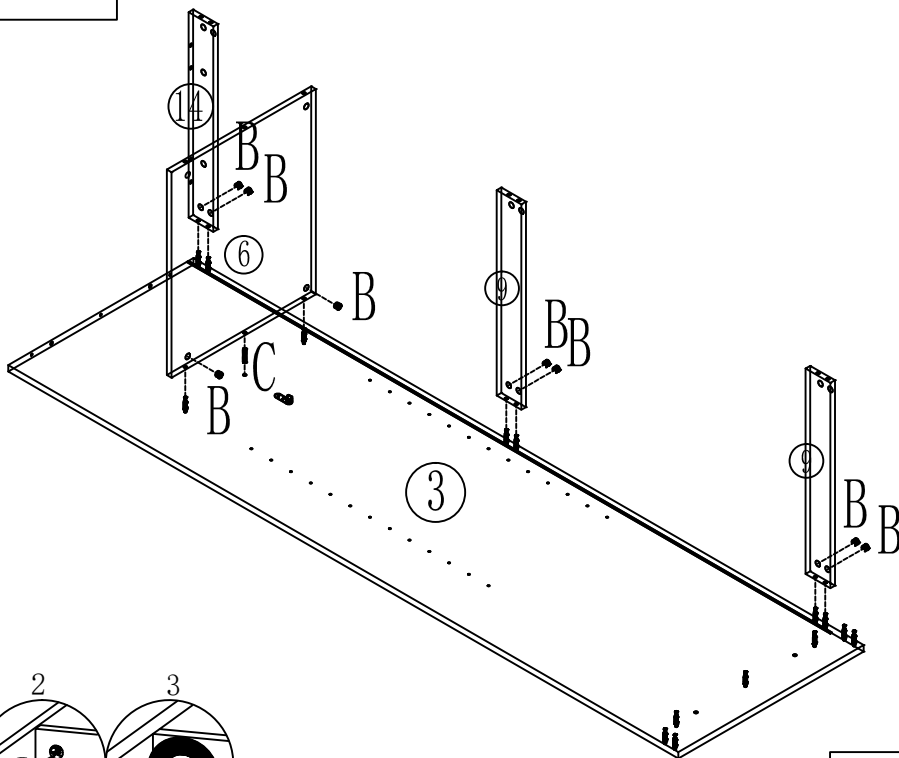
M8x40

Fx2



M7x50

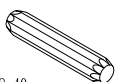
Step 4



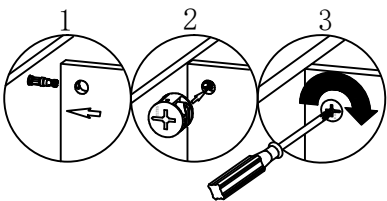
Bx8



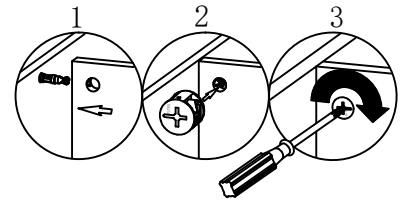
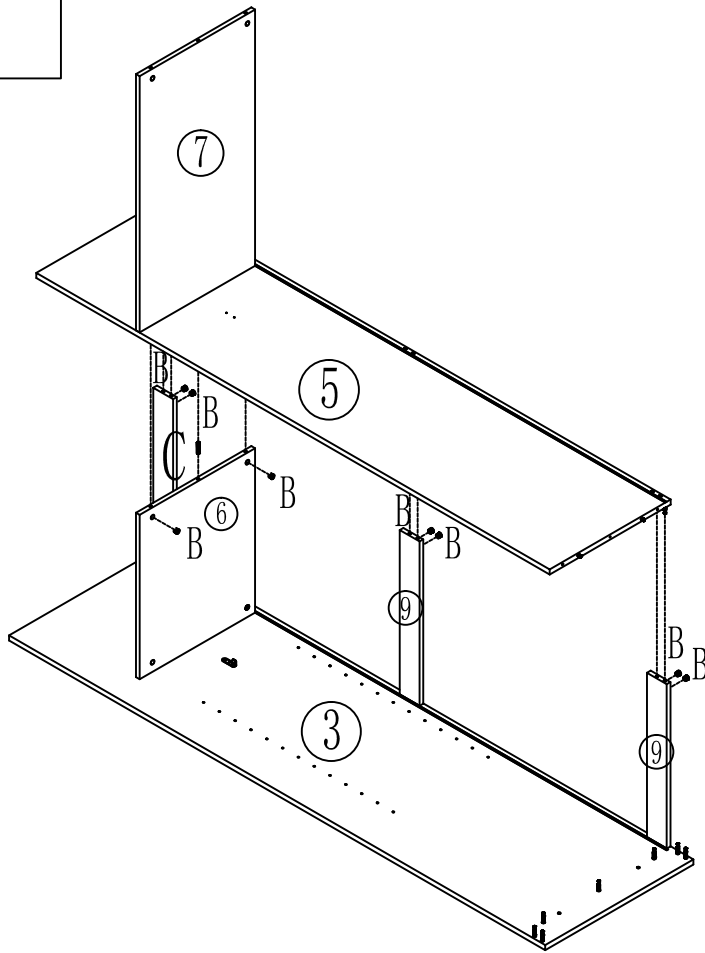
Cx1


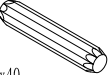


M8x40

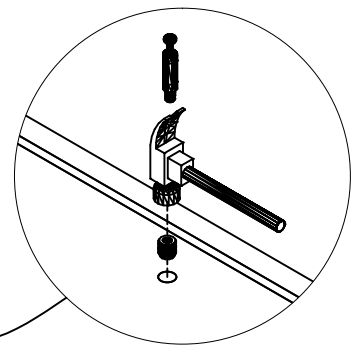
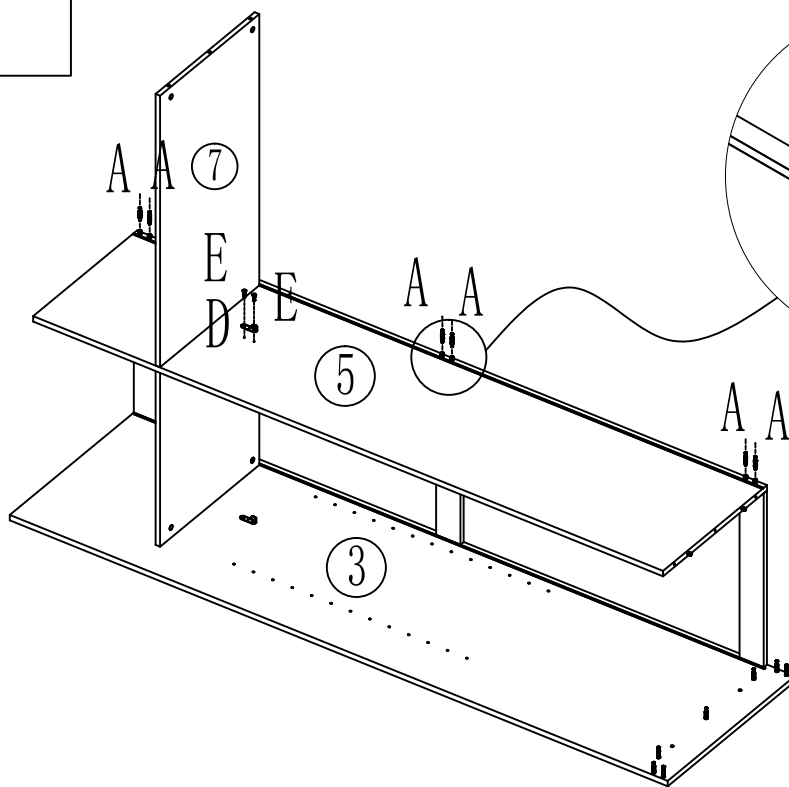





Step 5



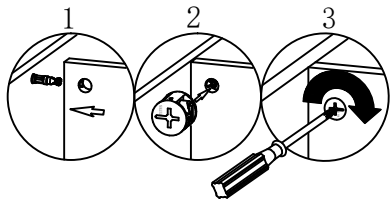
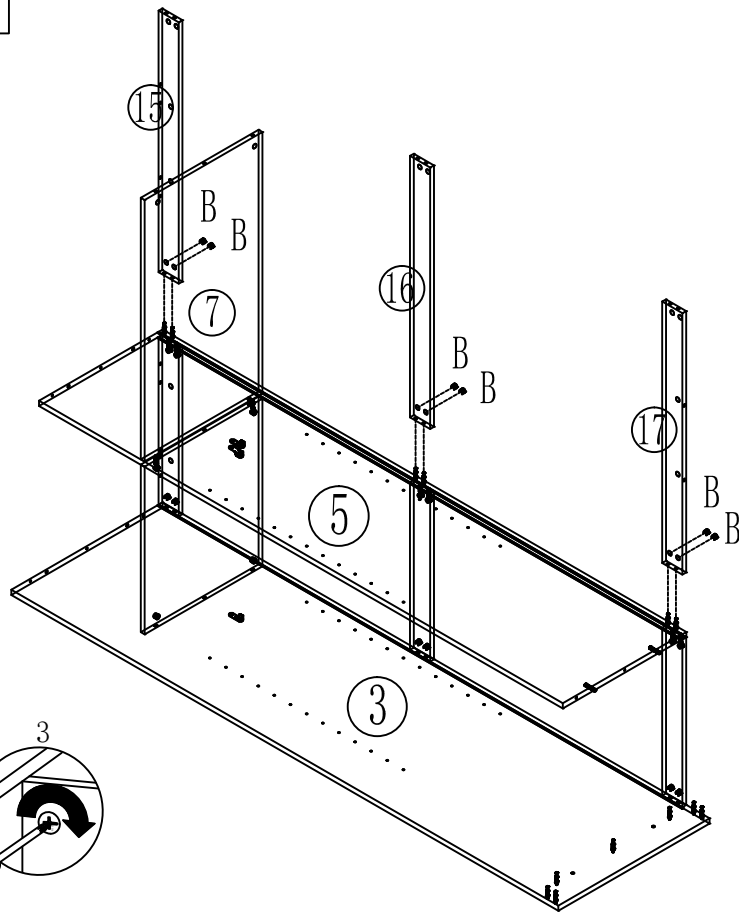
Bx8	Cx1
	
	M8x40

Step 6



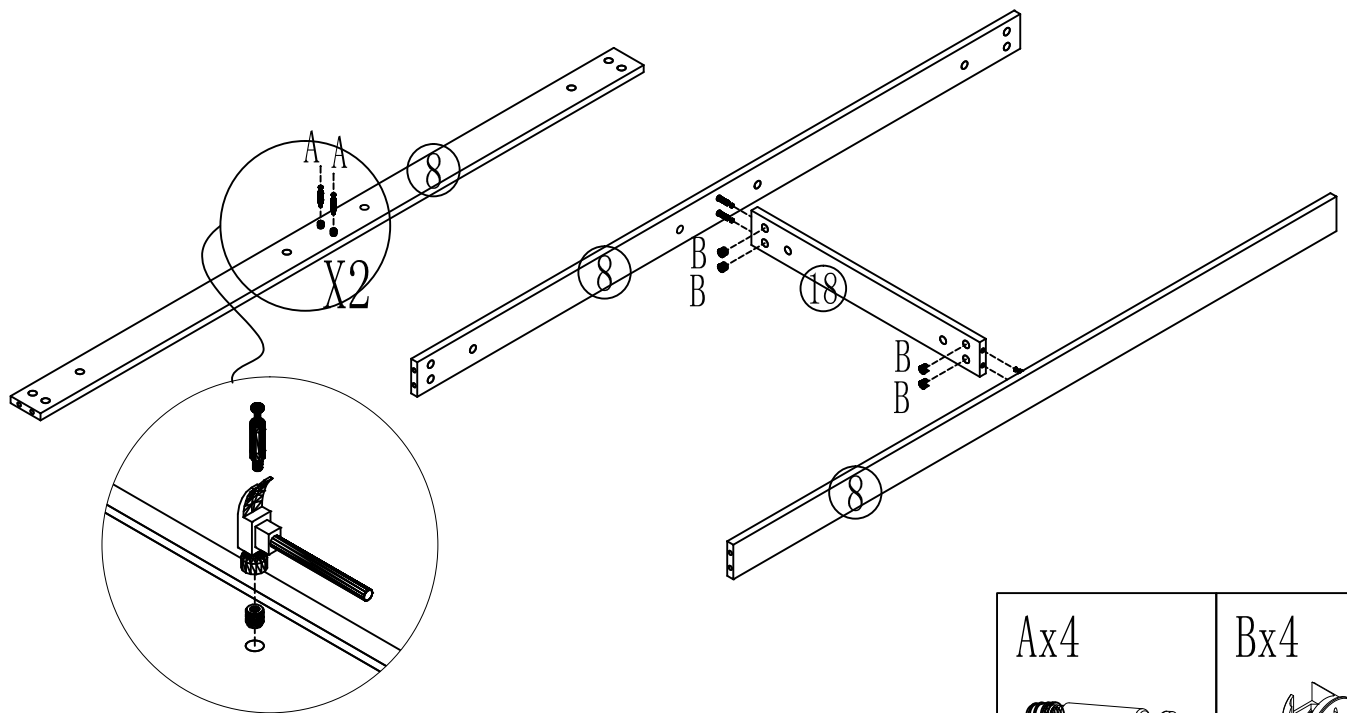
Ax6	Dx1	Ex2
		
		M3.5x14

Step 7



Bx6

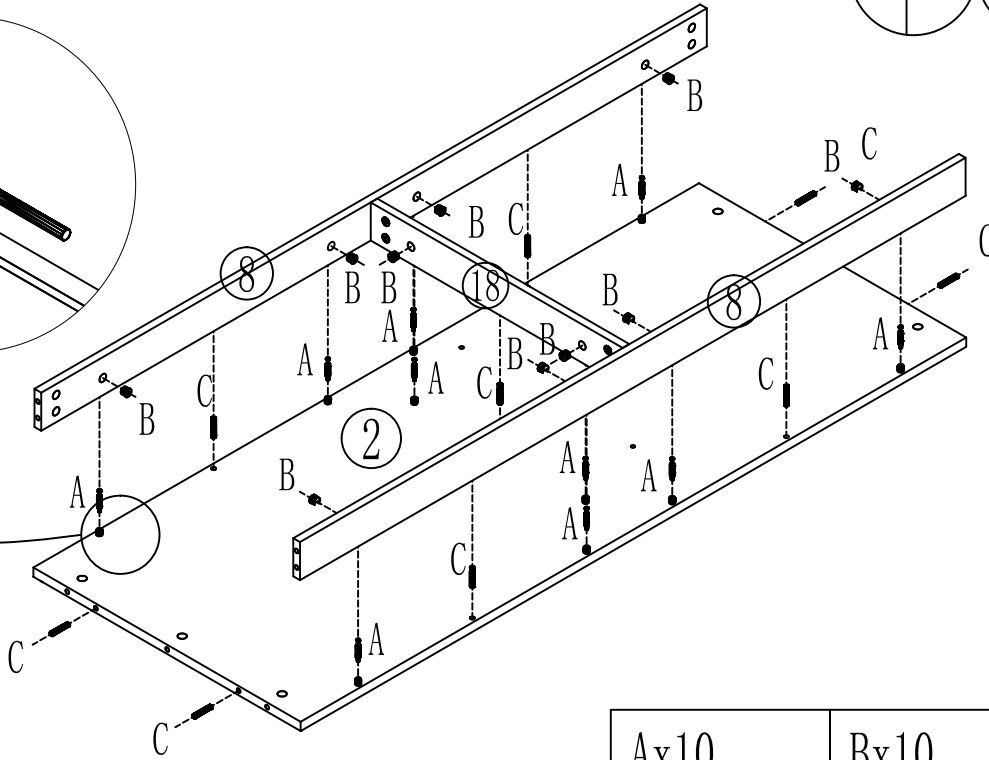
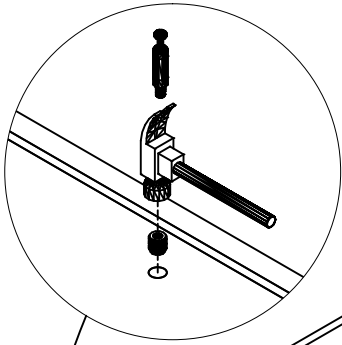
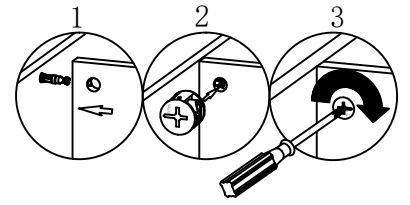
Step 8



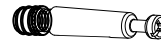
Ax4

Bx4

Step 9



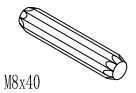
Ax10



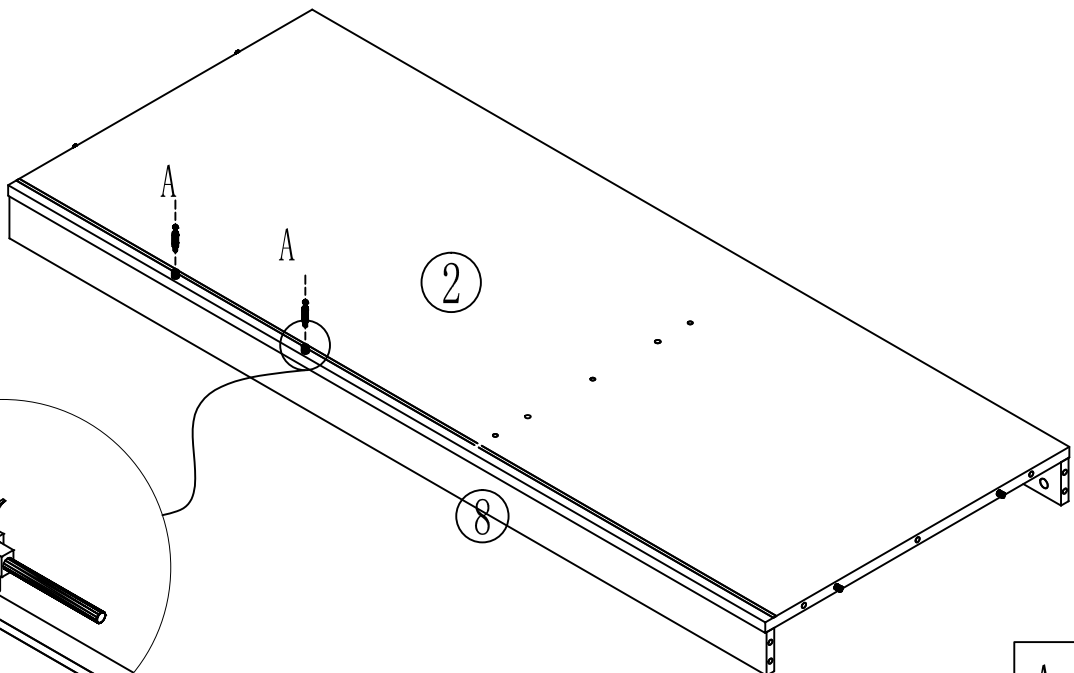
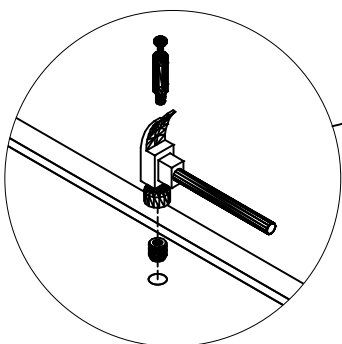
Bx10



Cx9



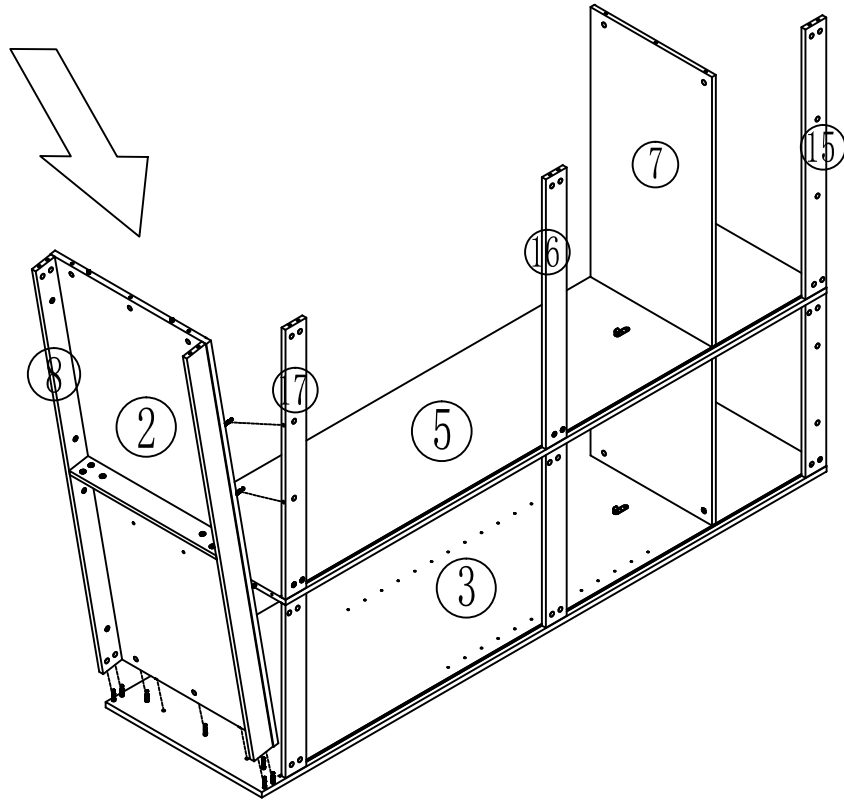
Step 10



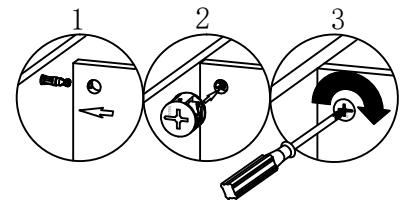
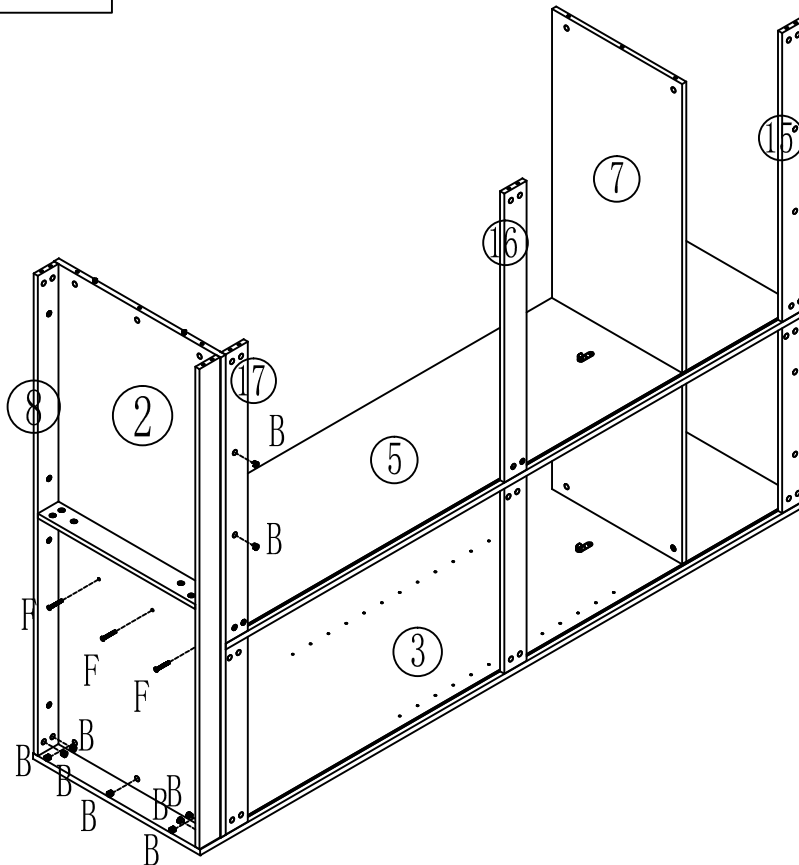
Ax2



Step 11



Step 12



Bx9

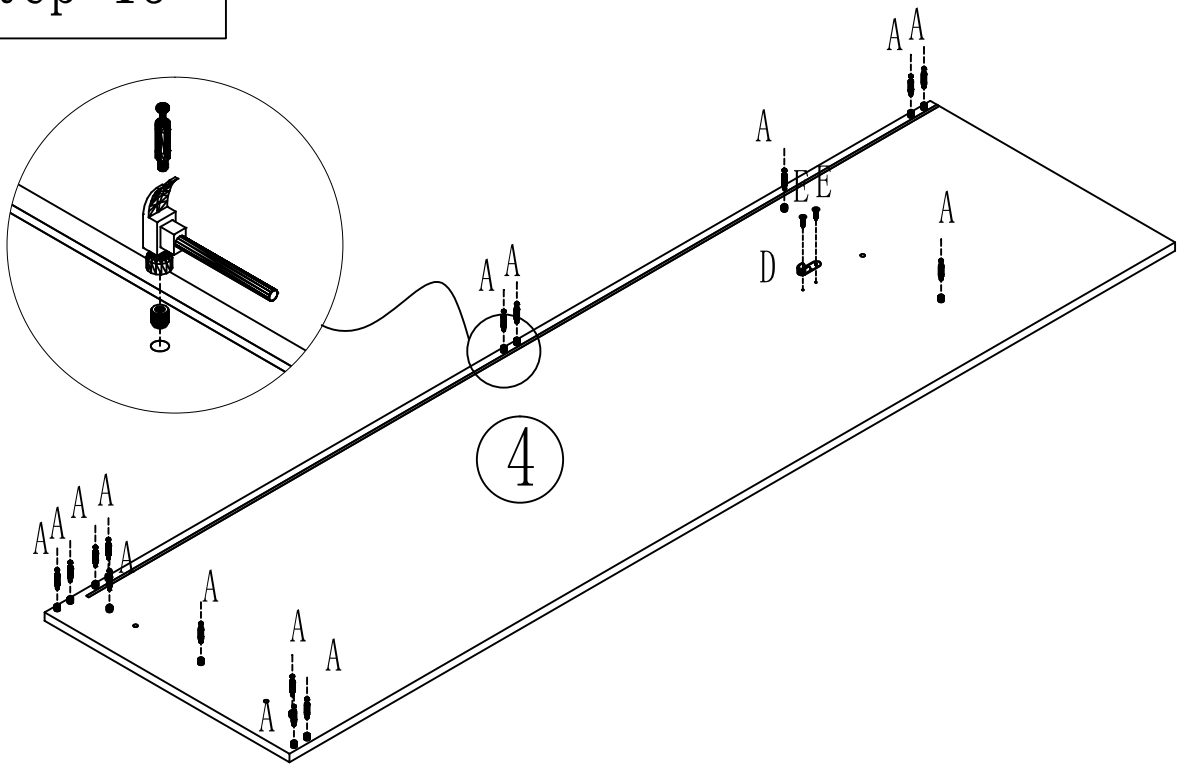


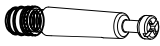


Fx3



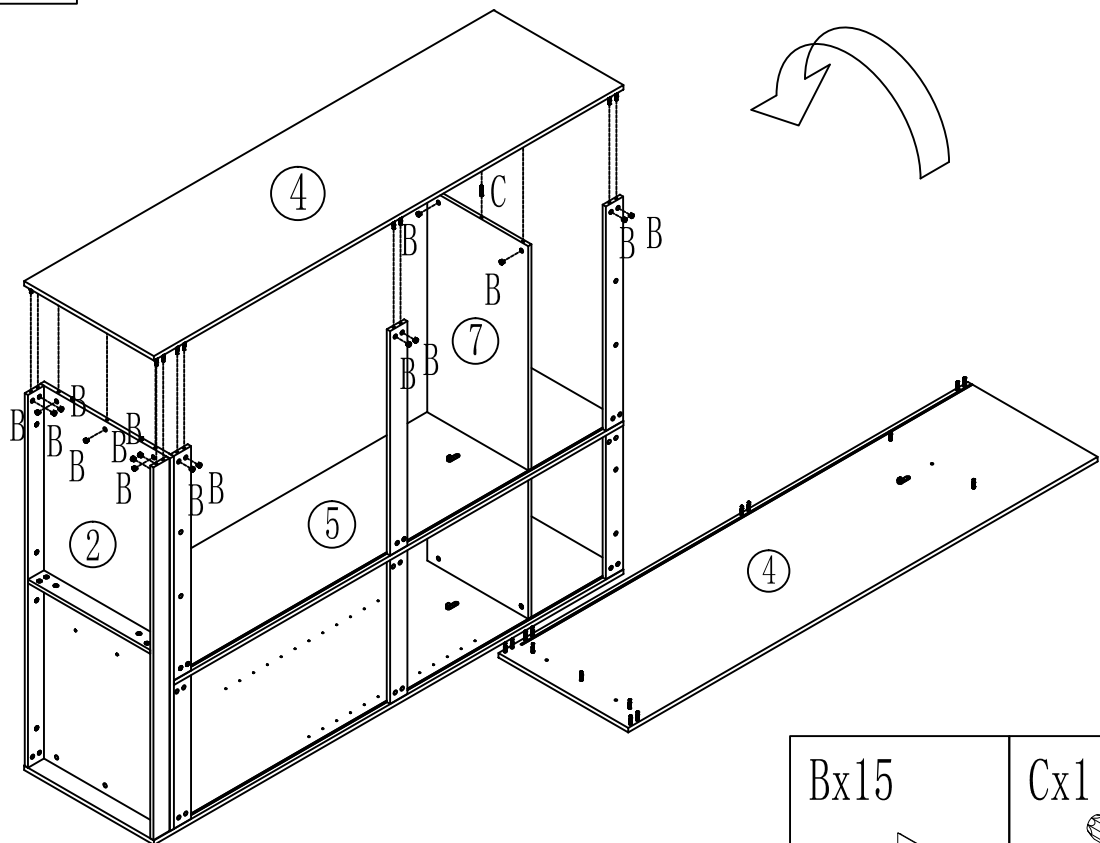
M7x50


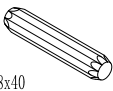
Step 13



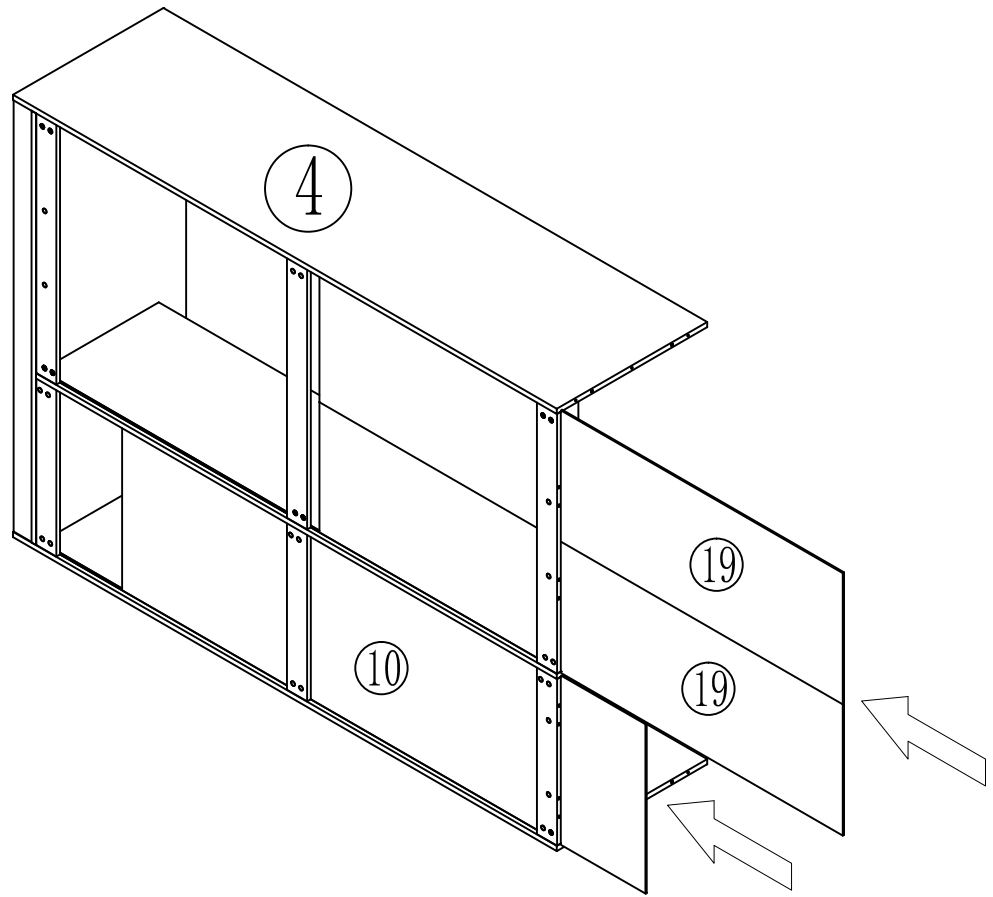
Ax15 	Dx1 	Ex2  M3, 5x14
--	--	---

Step 14

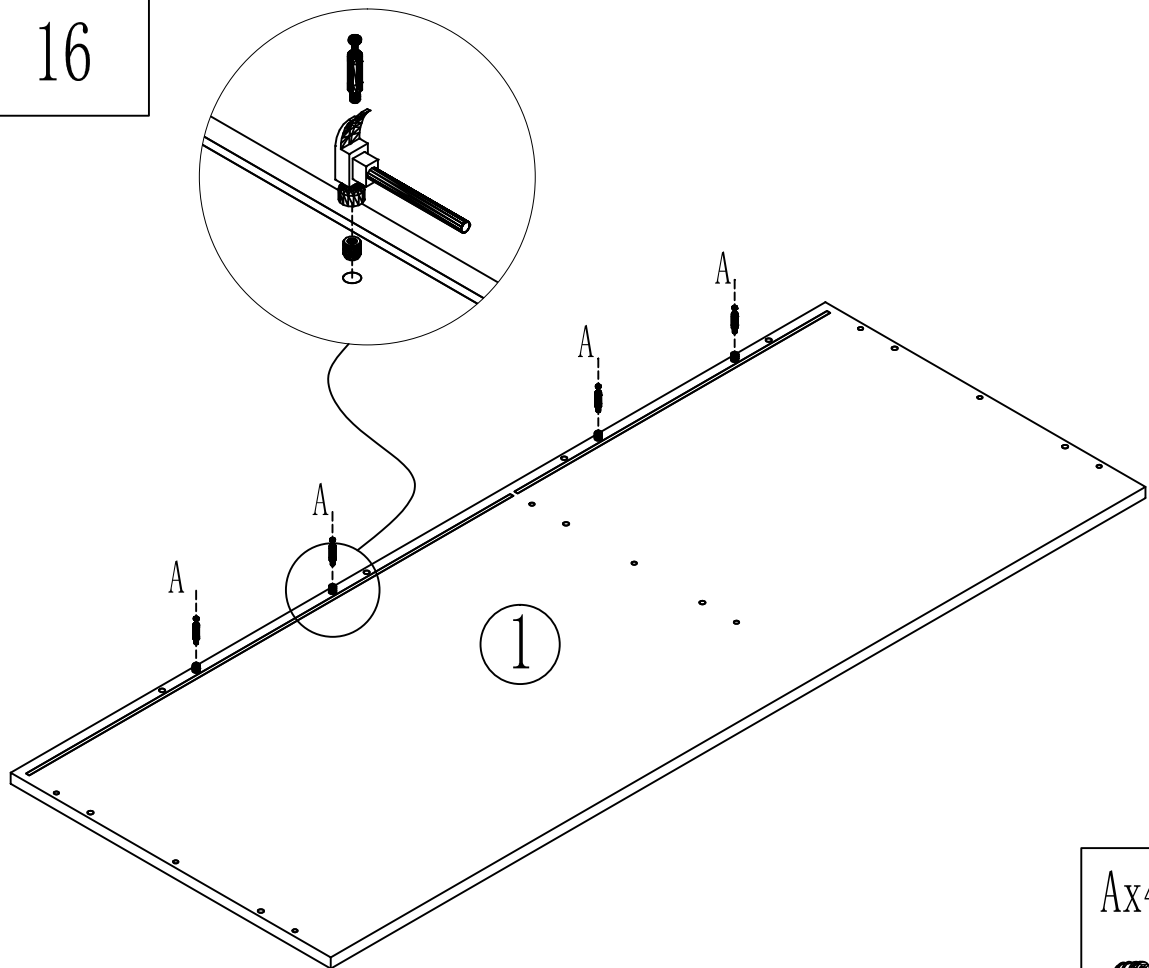


Bx15 	Cx1  M8x40
---	---

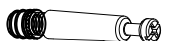
Step 15



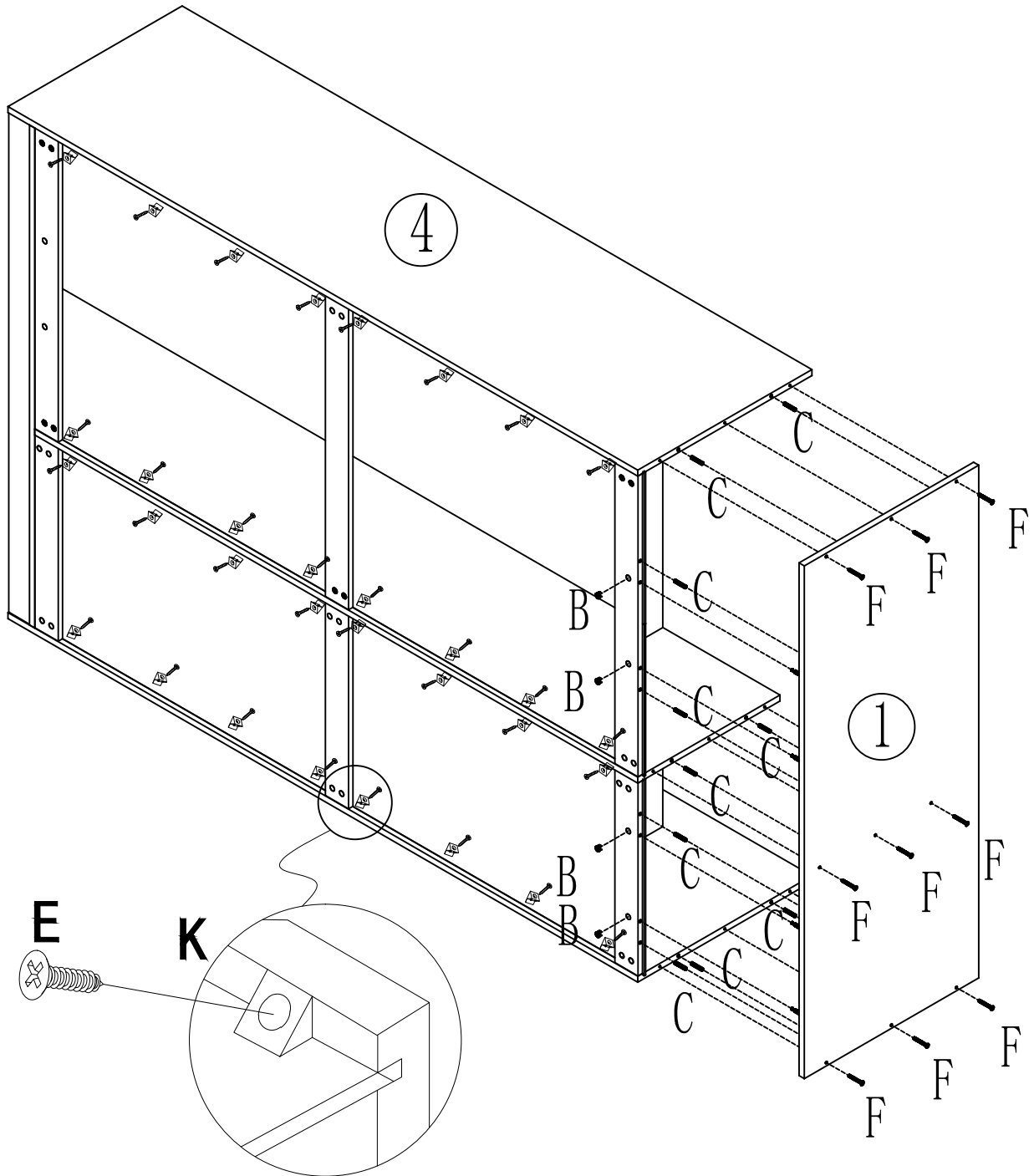
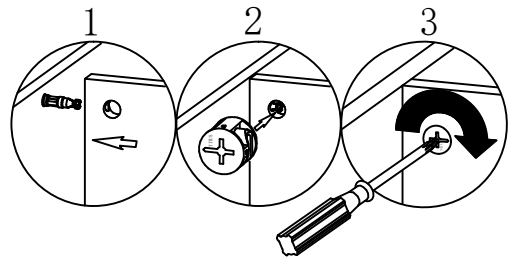
Step 16

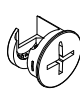
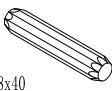


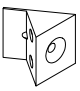


Ax4

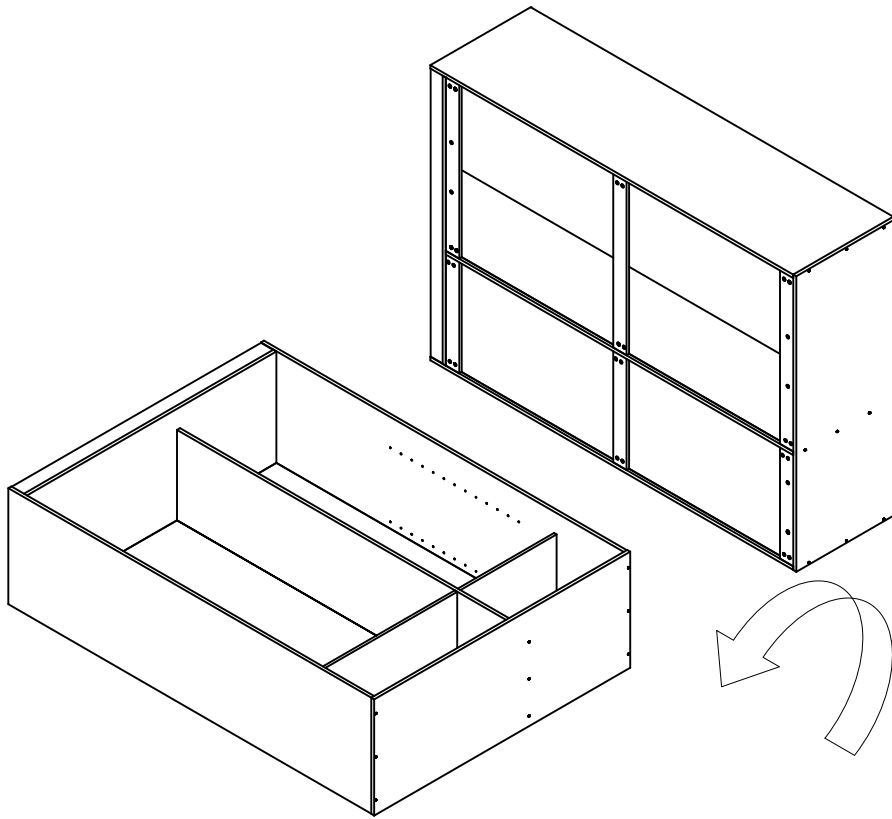


Step 17

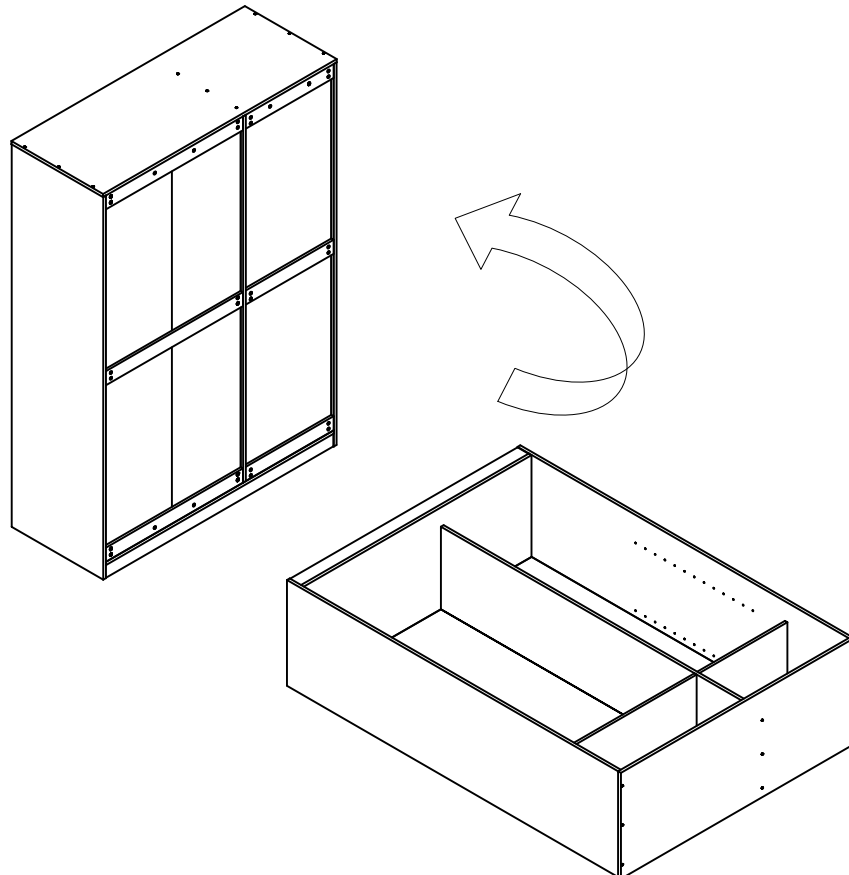


<p>Bx4</p> 	<p>Cx10</p>  <p>M8x40</p>	<p>Ex32</p>  <p>M3.5x14</p>	<p>Fx9</p>  <p>M7x50</p>	<p>Kx32</p> 
--	--	---	---	---

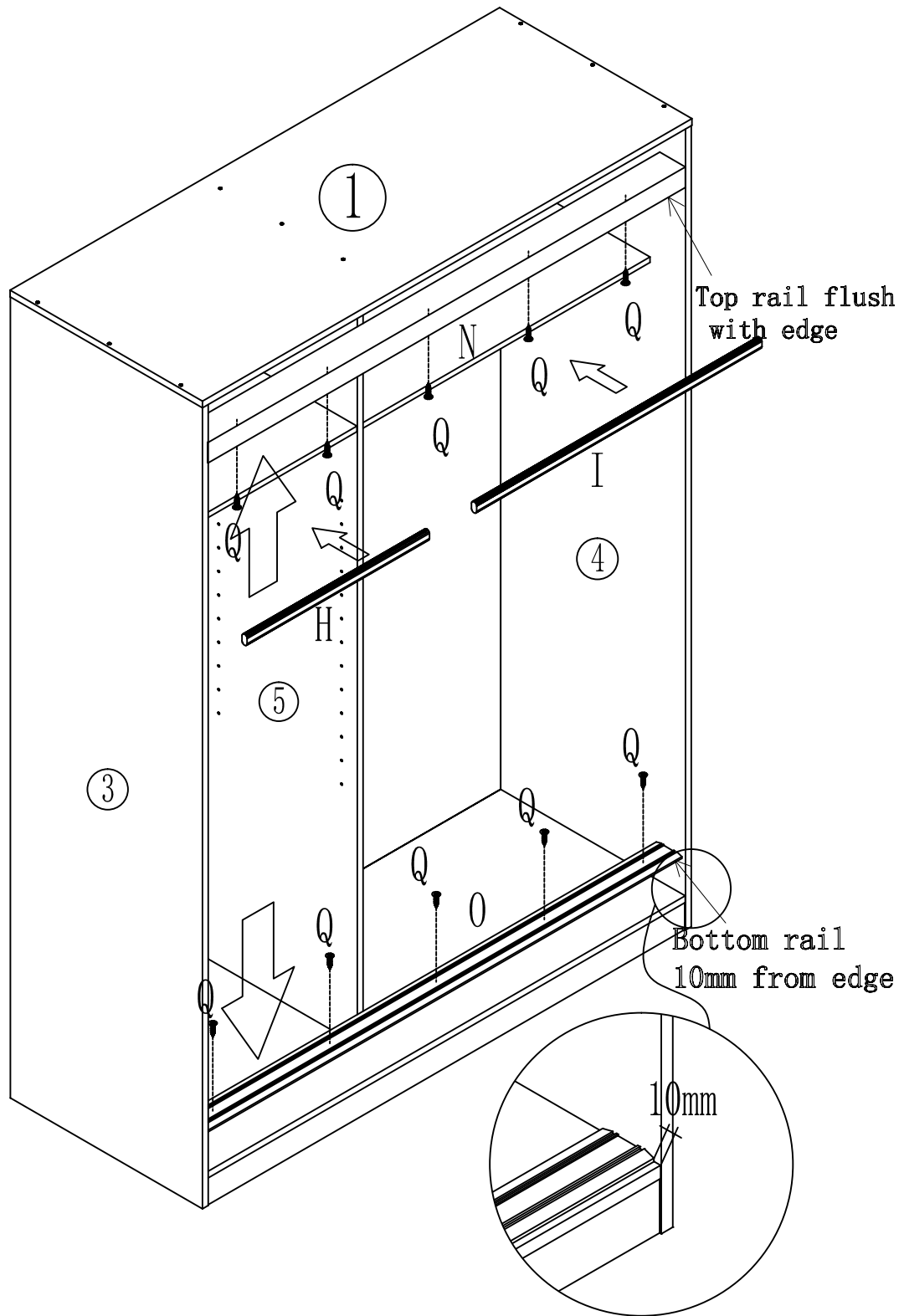
Step 18




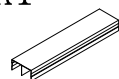



Step 19

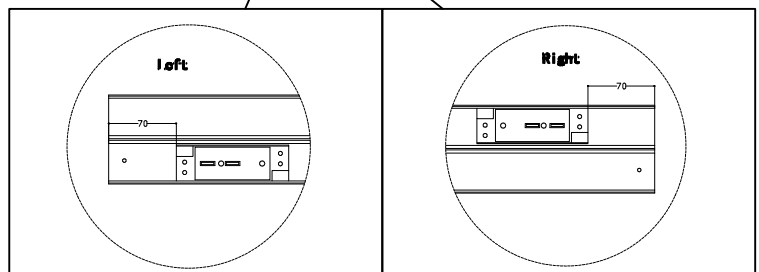
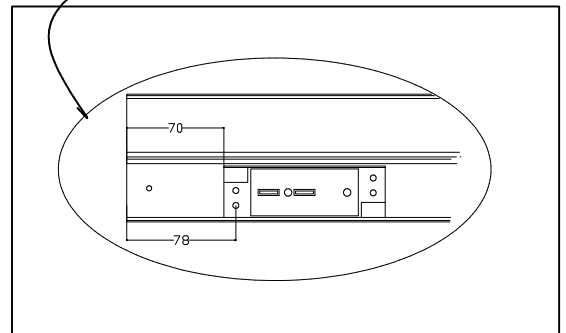
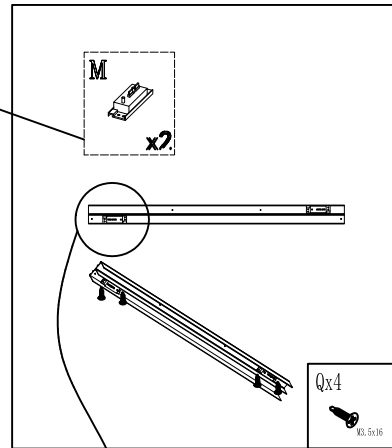
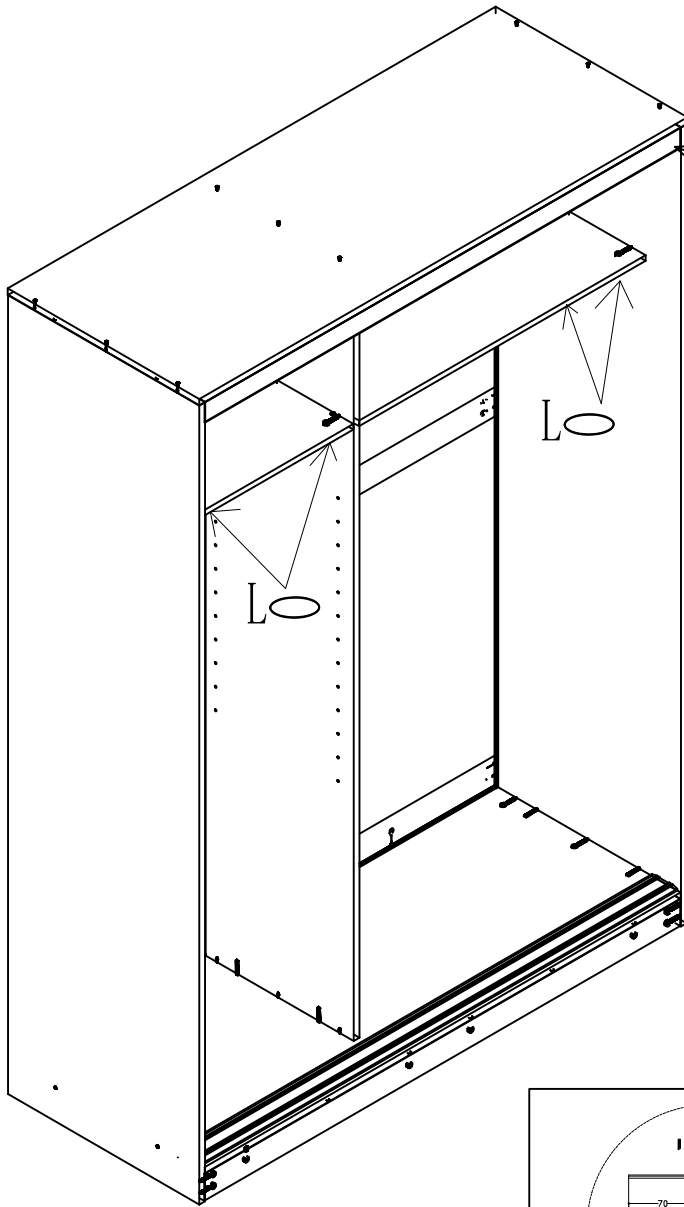




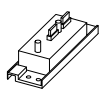
Step 20



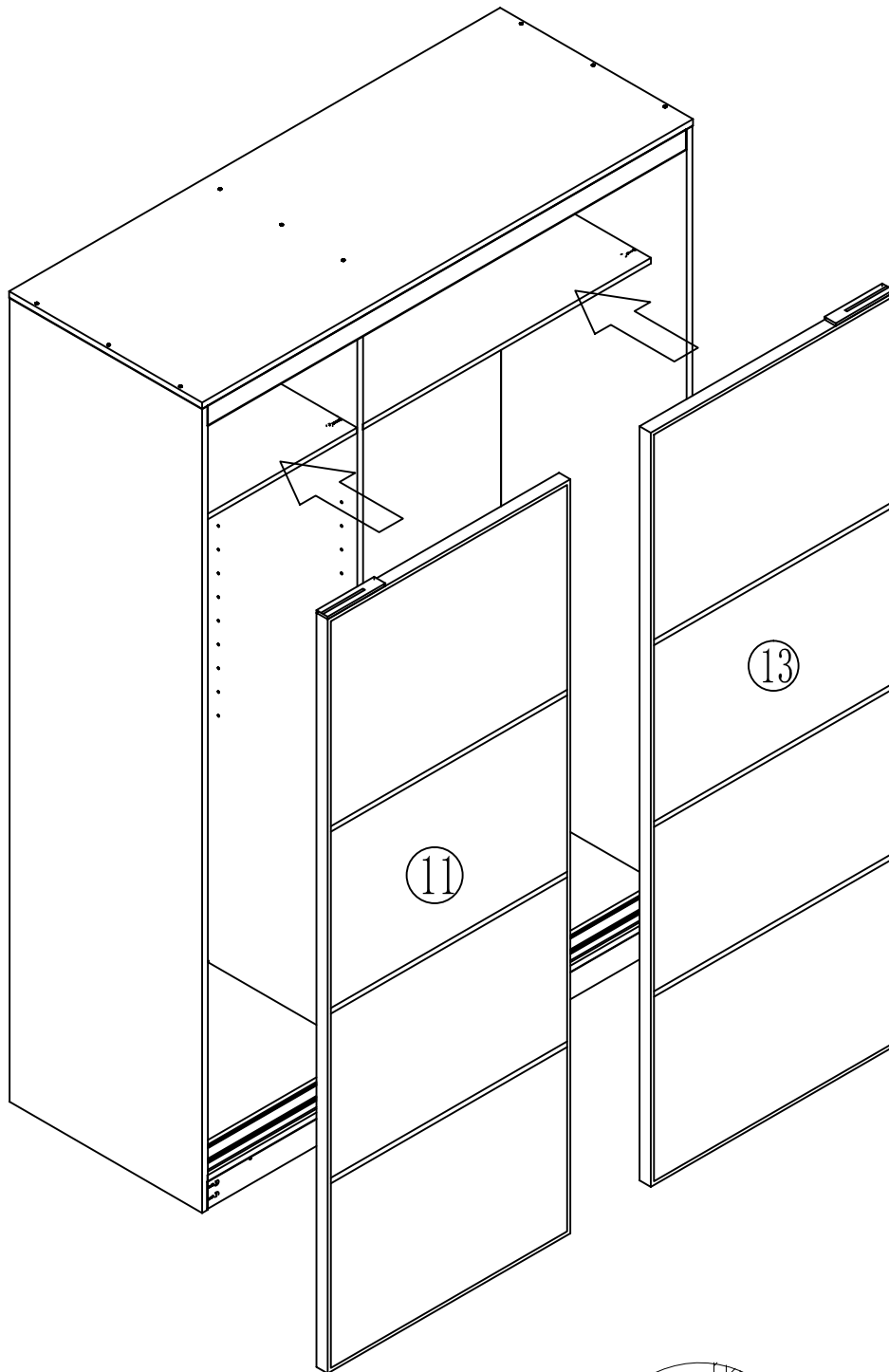
<p>Qx10</p>  <p>M3.5x16</p>	<p>Hx1</p>  <p>L=570mm</p>	<p>Ix1</p>  <p>L=892mm</p>	<p>Nx1</p>  <p>L=1166mm</p>	<p>Ox1</p>  <p>L=1166mm</p>
--	---	--	--	--

Step 21

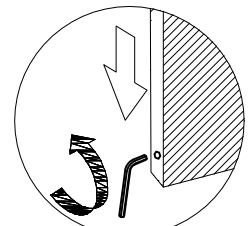
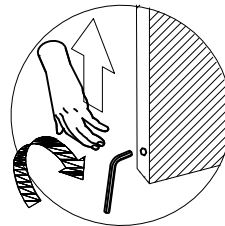


Qx4  M3.5x16	Lx6 	Mx2 
--	--	--

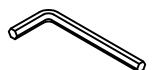
Step 22



Lift the sliding door with your hand,
Turn the wrench clockwise to adjust
it upward, and counterclockwise
to adjust it downward.

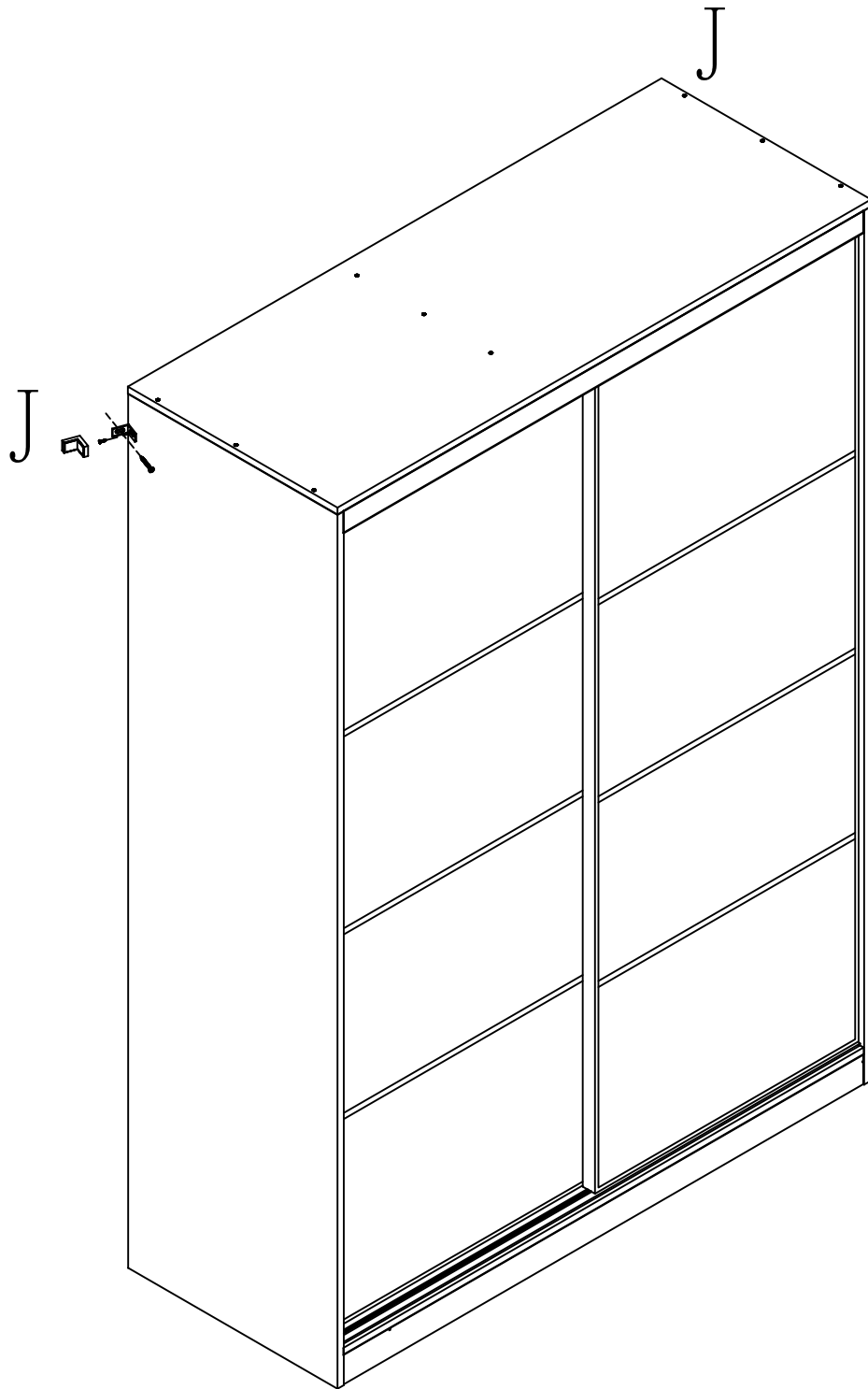


Gx1

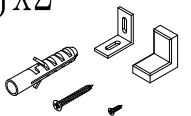


M5

Step 23



Jx2



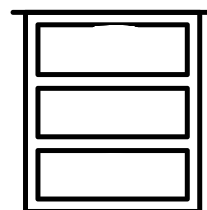
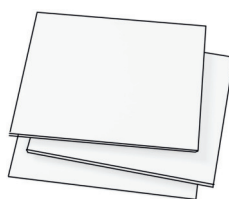
FAQ

Har du spørsmål? Ta kontakt på info@flexiform.no eller finn mer informasjon på flexiform.no eller flexislide.no

Do you have any questions? Contact us at info@flexiform.no or find more information at flexiform.no or flexislide.no.

Scan qr koden nedenfor for ekstra veiledning.

Scan the QR code below for additional guidance.



Ønsker du å oppgradere garderobeskapet ditt med ekstra hyller og skuffer, kan du kjøpe dette hos våre forhandlere.

If you would like to upgrade your wardrobe with additional shelves and drawers, you can purchase these from our retailers.