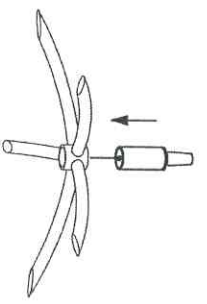


CM79557B

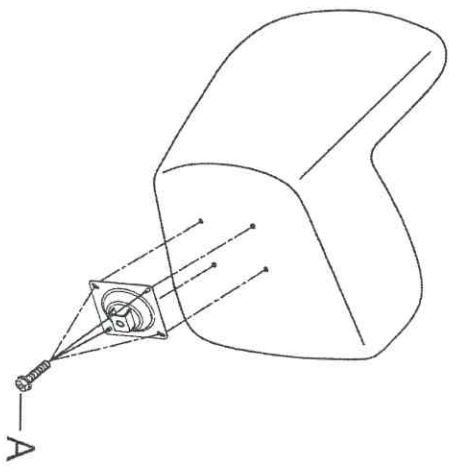
25mm  
A  
X4

4mm  
X1

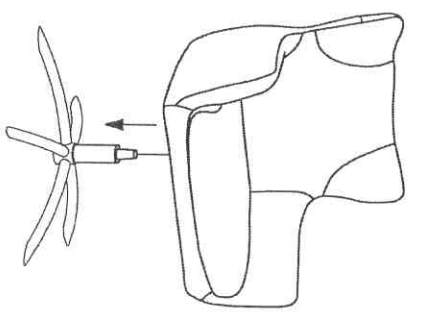
1.



2.



3.



4.

