
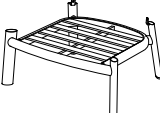
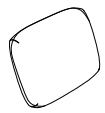
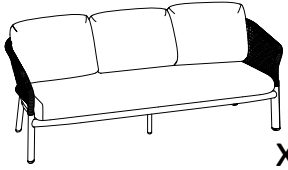

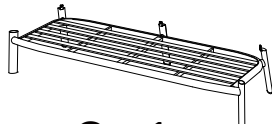
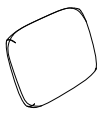

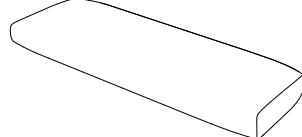



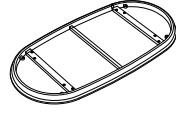
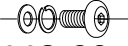
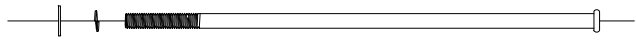


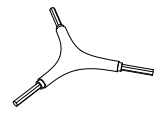
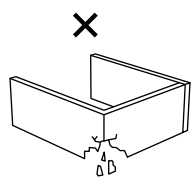

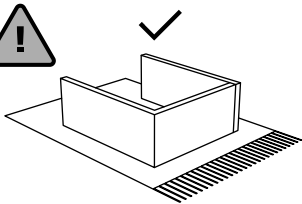
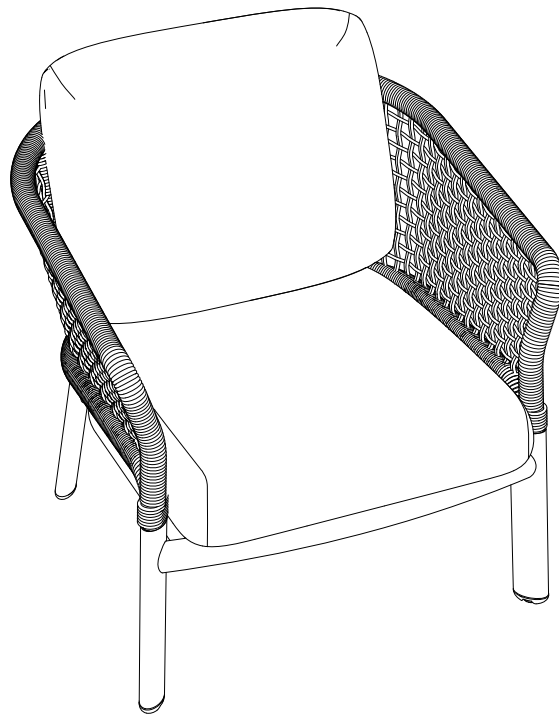
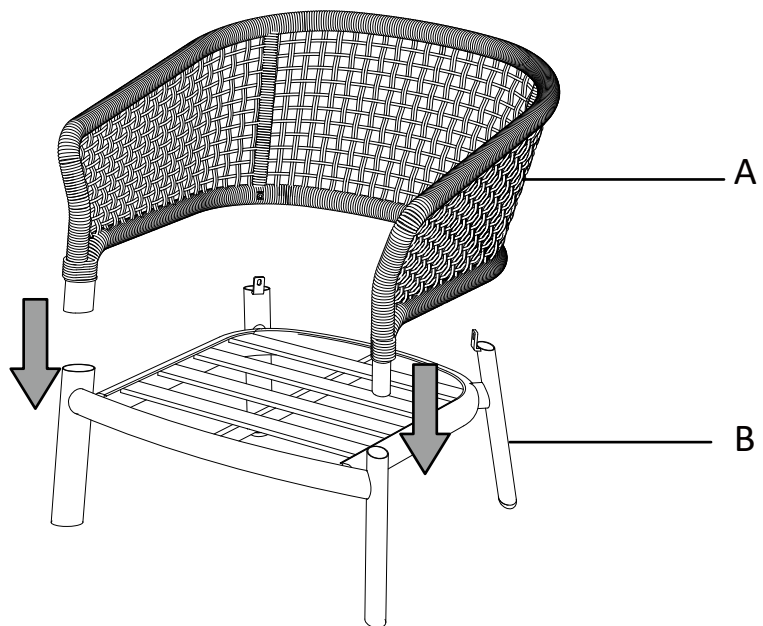
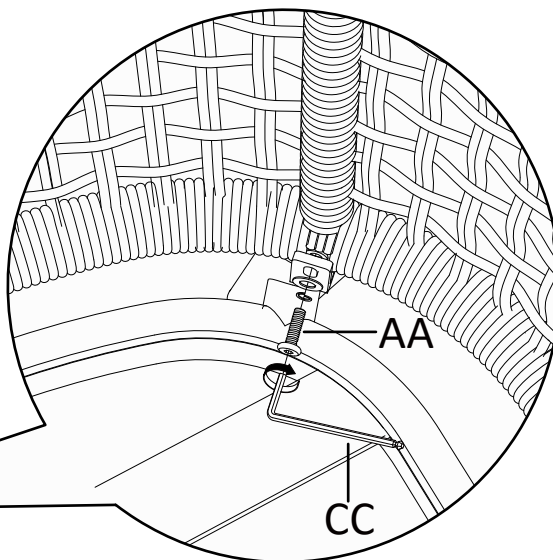
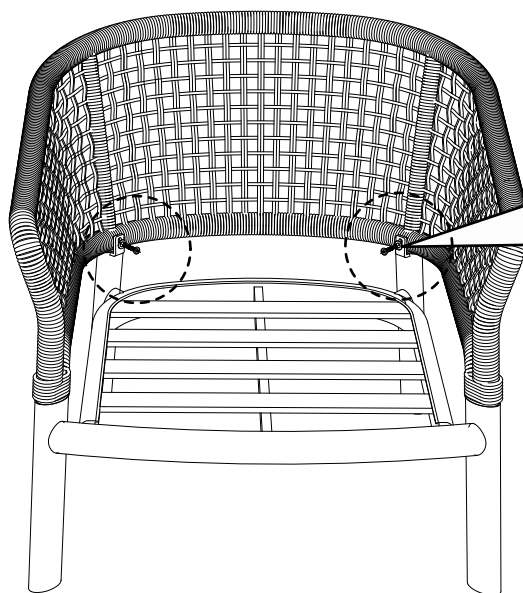
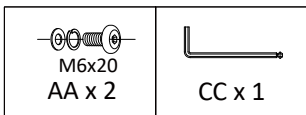
 <p>x2</p>	 <p>A x 2</p>	 <p>B x 2</p>	 <p>C x 2</p>
 <p>x1</p>	 <p>F x 1</p>	 <p>G x 1</p>	 <p>H x 3</p>
 <p>x1</p>	 <p>I x 1</p>	 <p>J x 2</p>	 <p>K x 1</p>
 <p>L x 4</p>	 <p>M x 1</p>	 <p>M6x20 AA x 22</p>	 <p>M8x250 BB x 6</p>
 <p>x2</p>	 <p>CC x 1</p>	 <p>DD x 1</p>	  



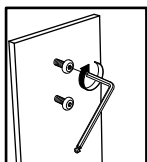
1



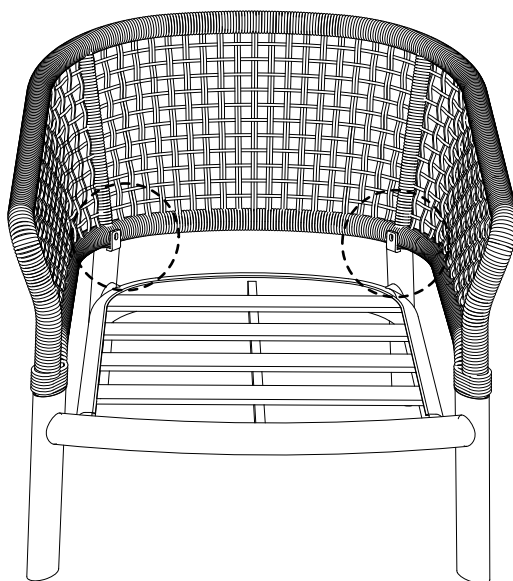
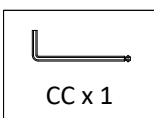
2



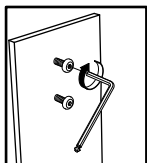
50%



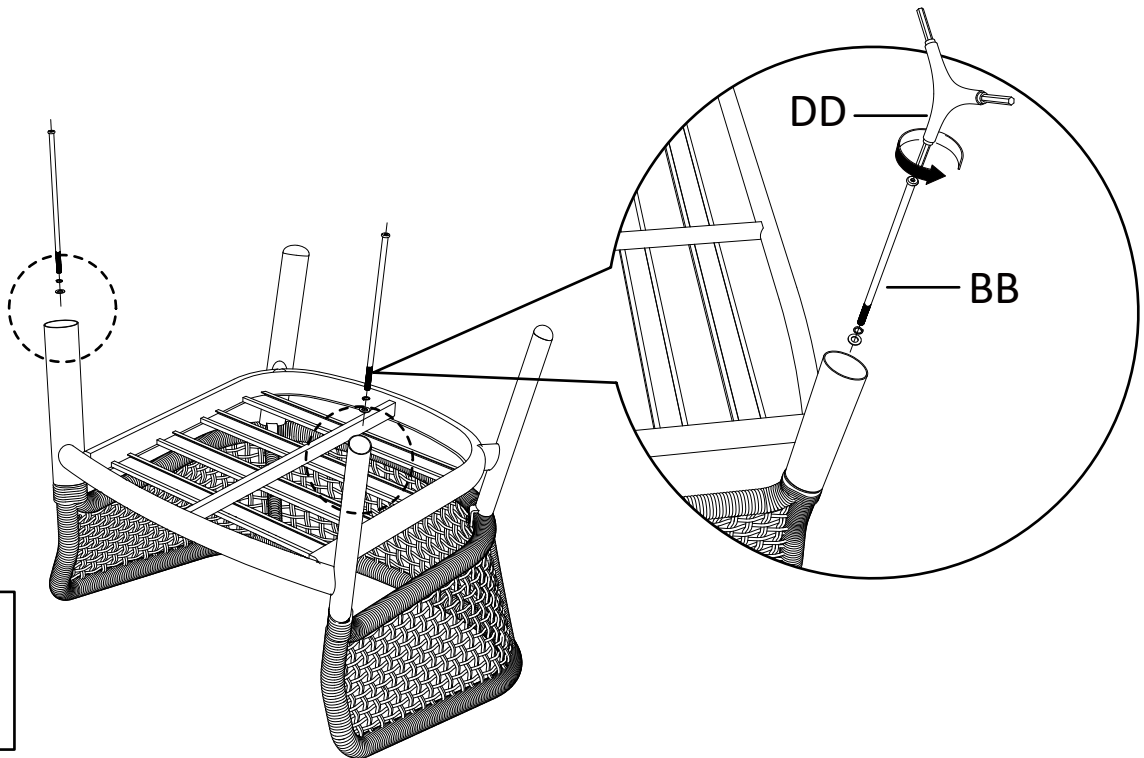
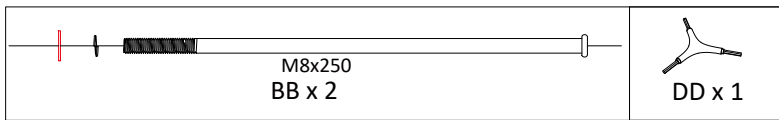
3



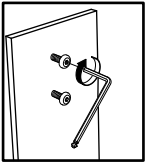
100%



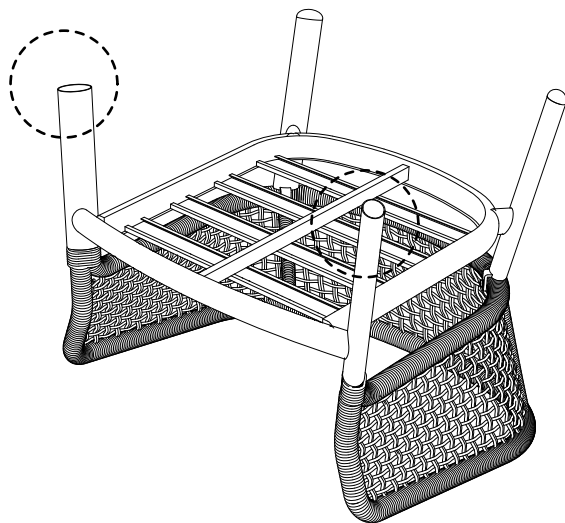
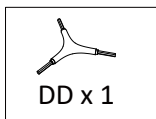
4



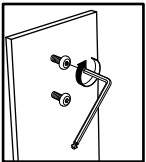
50%



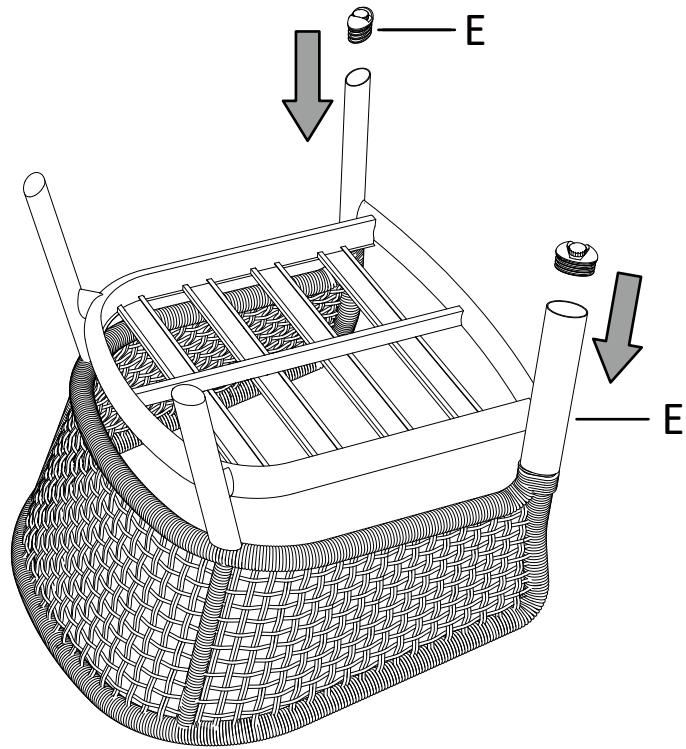
5



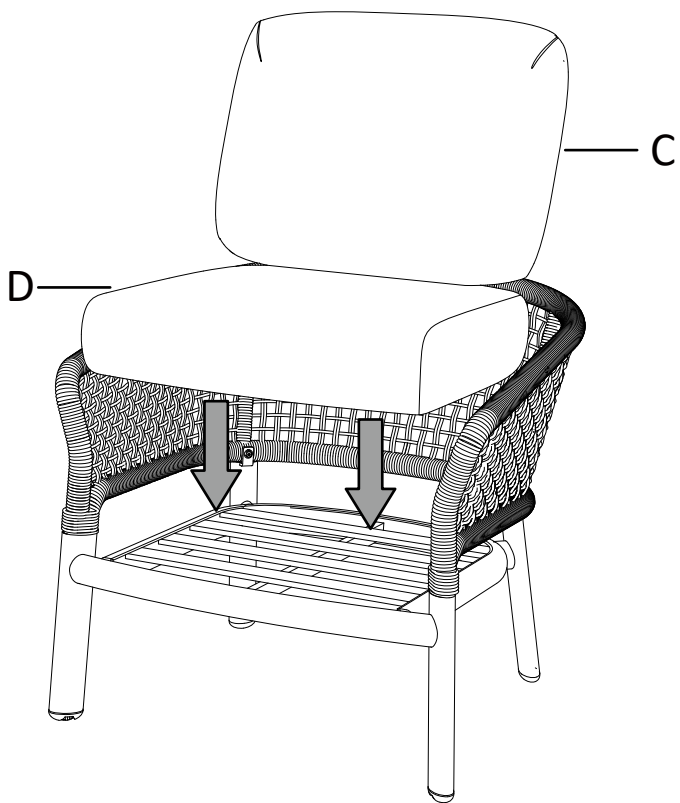
100%



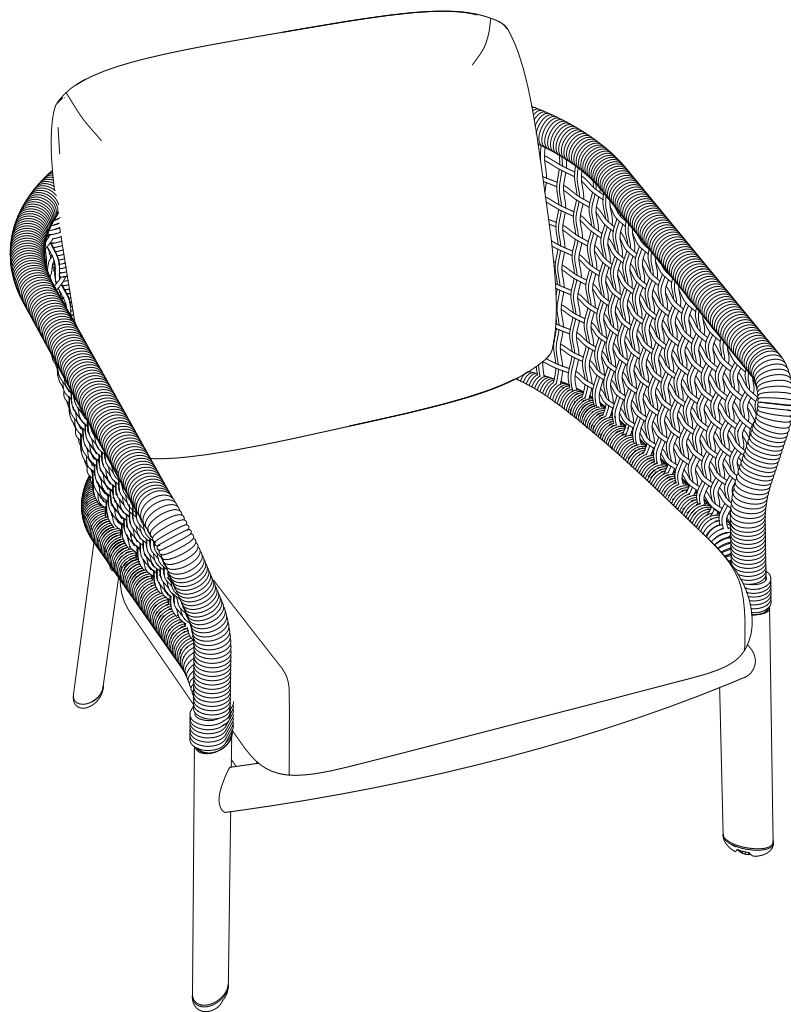
6

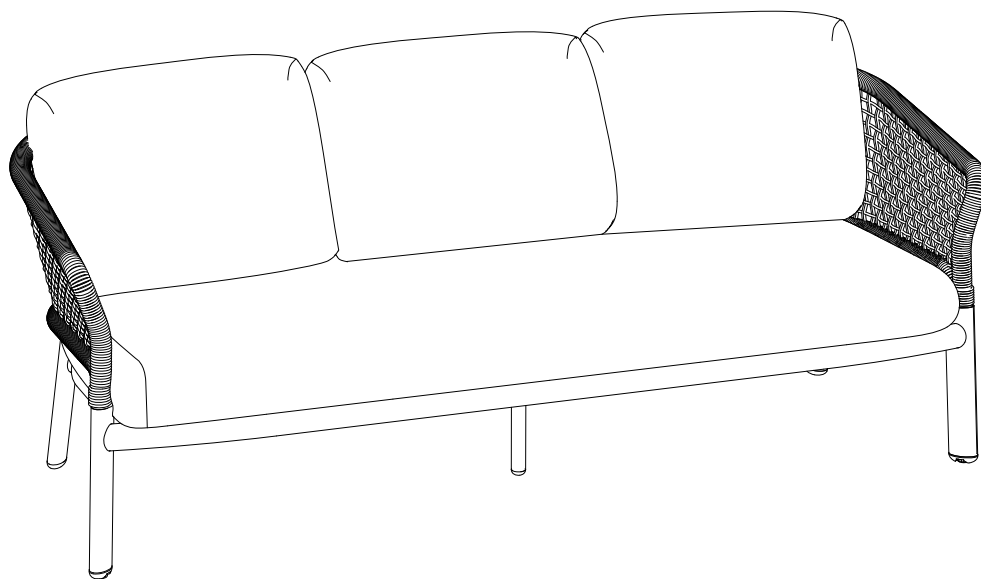


7

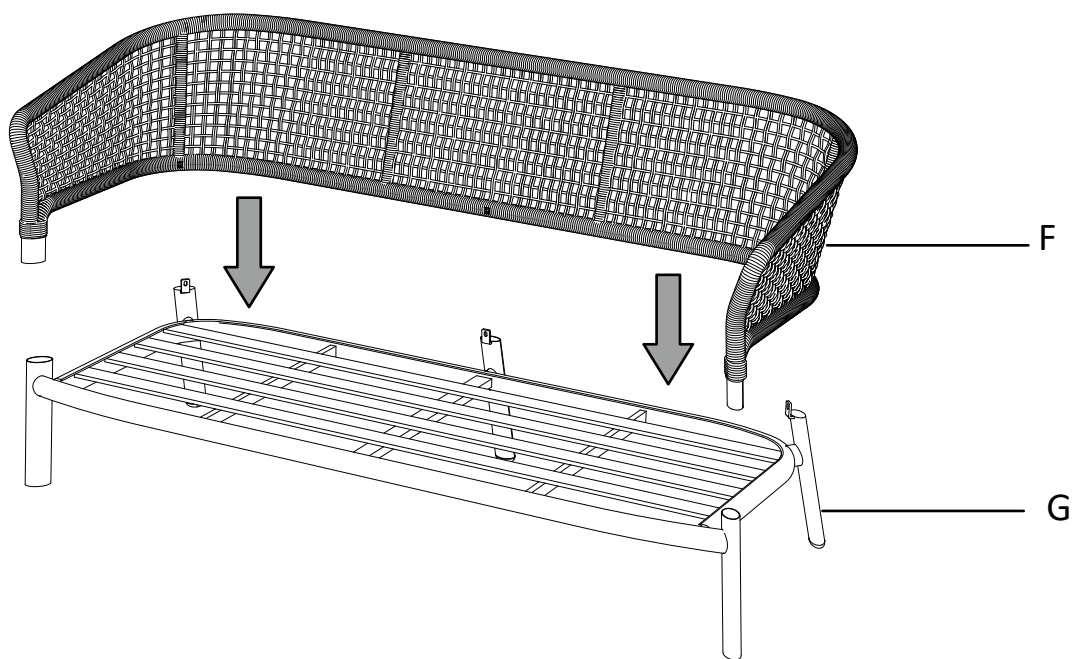


8

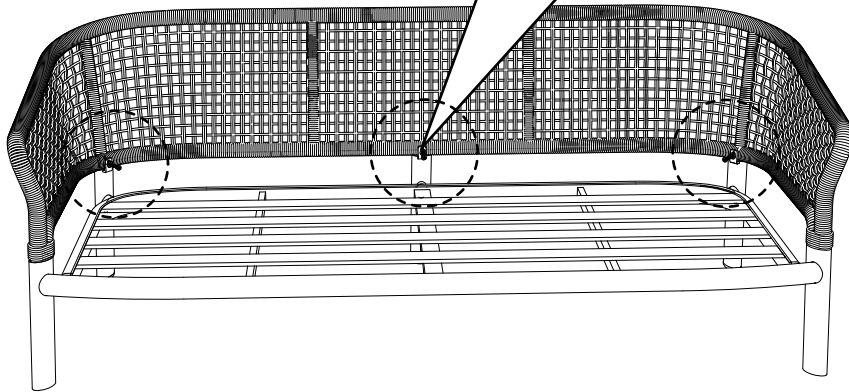
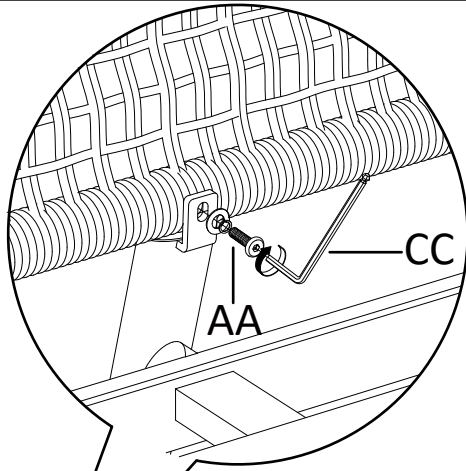
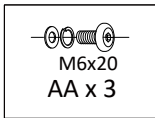




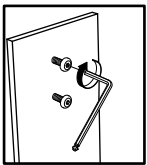
1



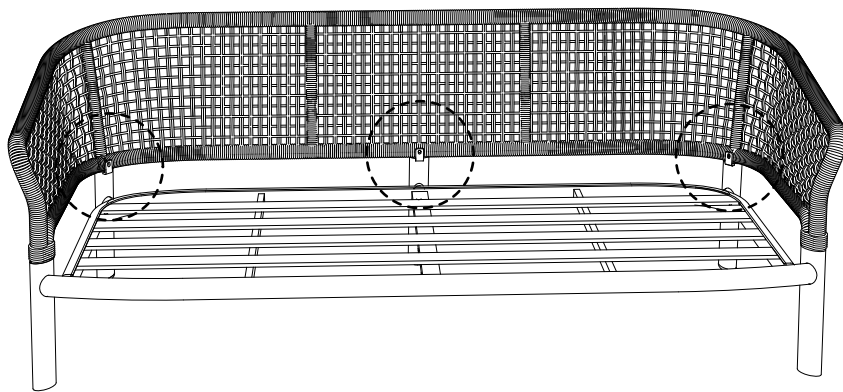
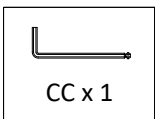
2



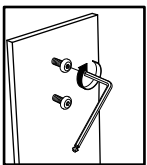
50%



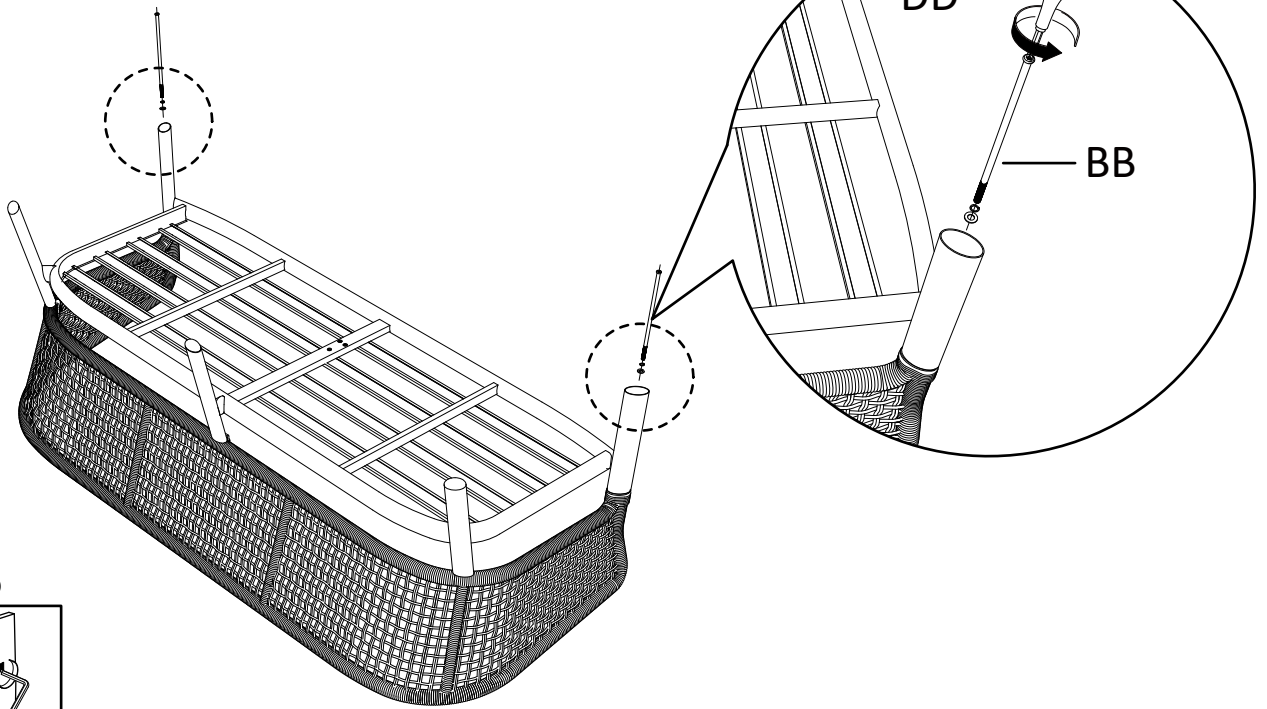
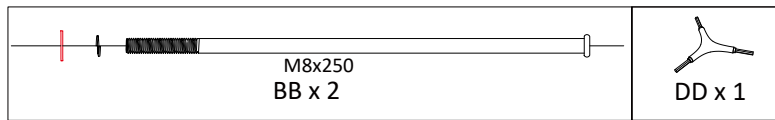
3



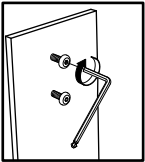
100%



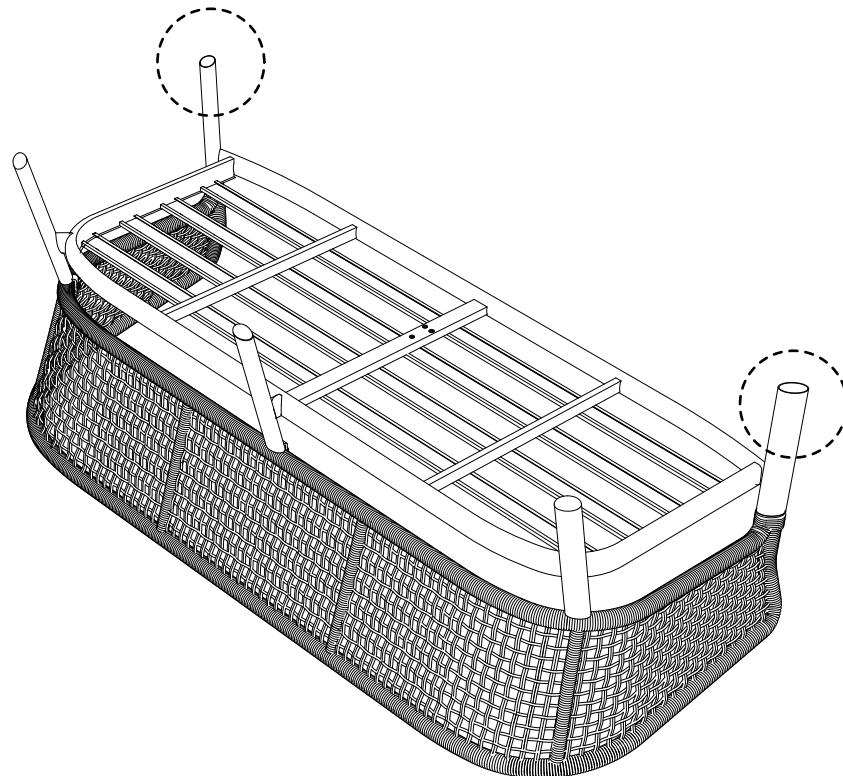
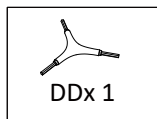
4



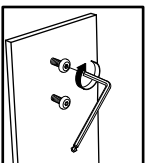
50%



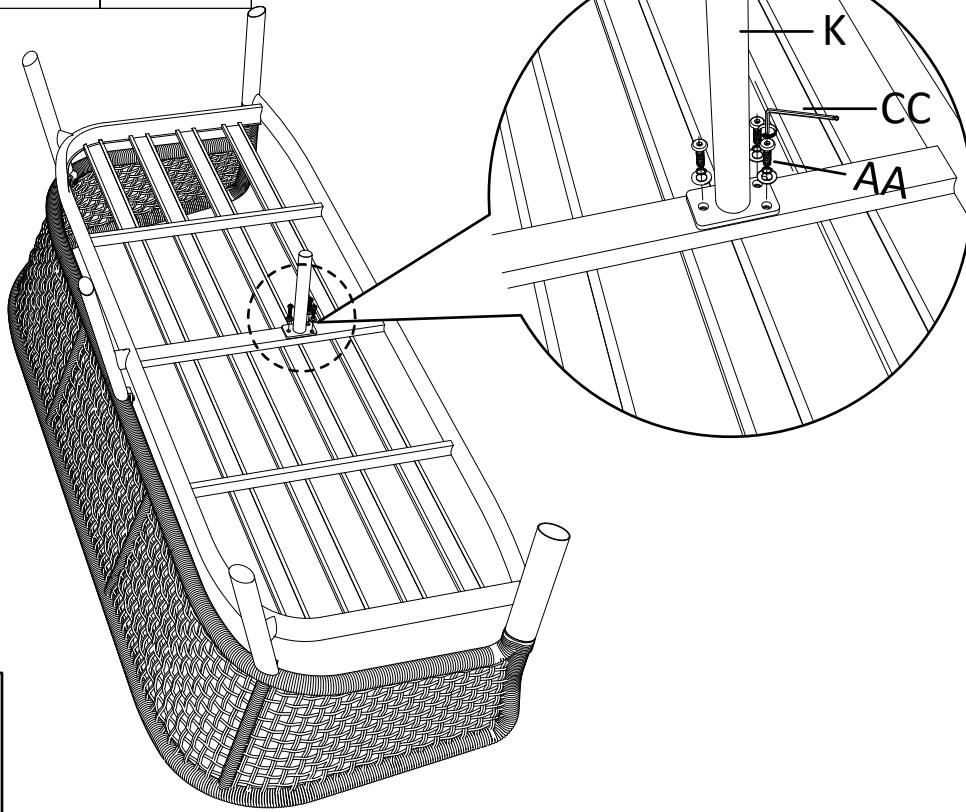
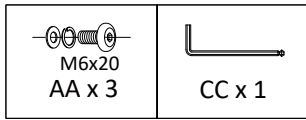
5



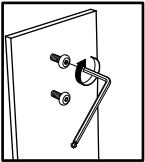
100%



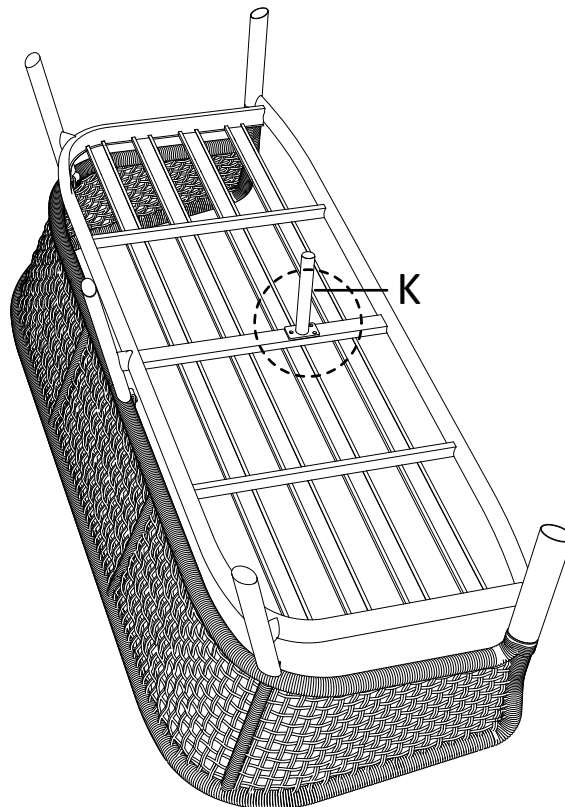
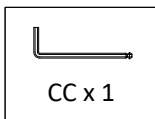
6



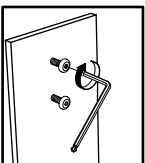
50%



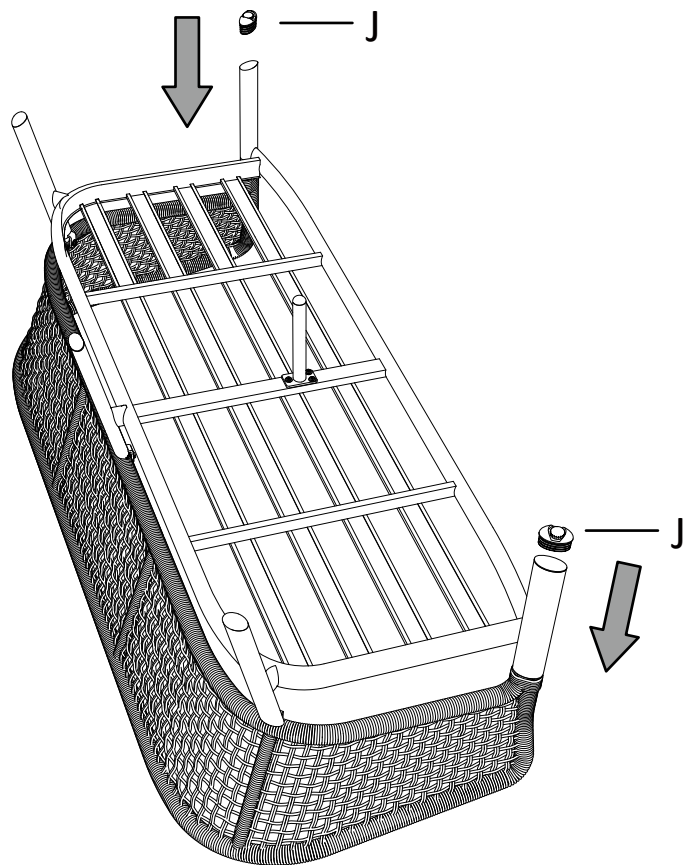
7



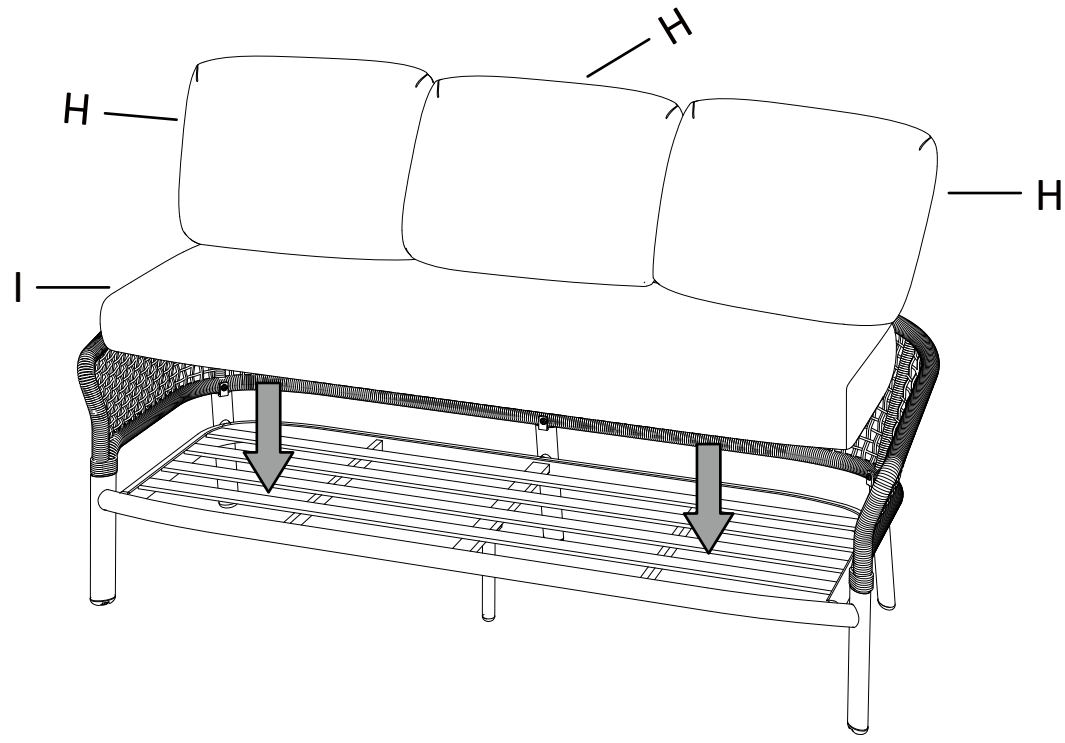
100%



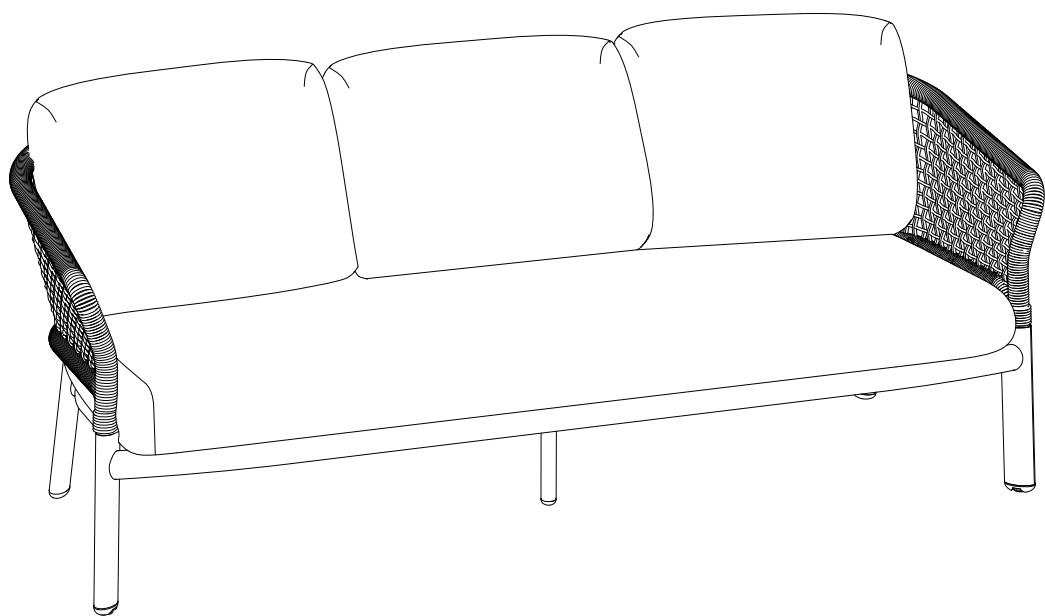
8

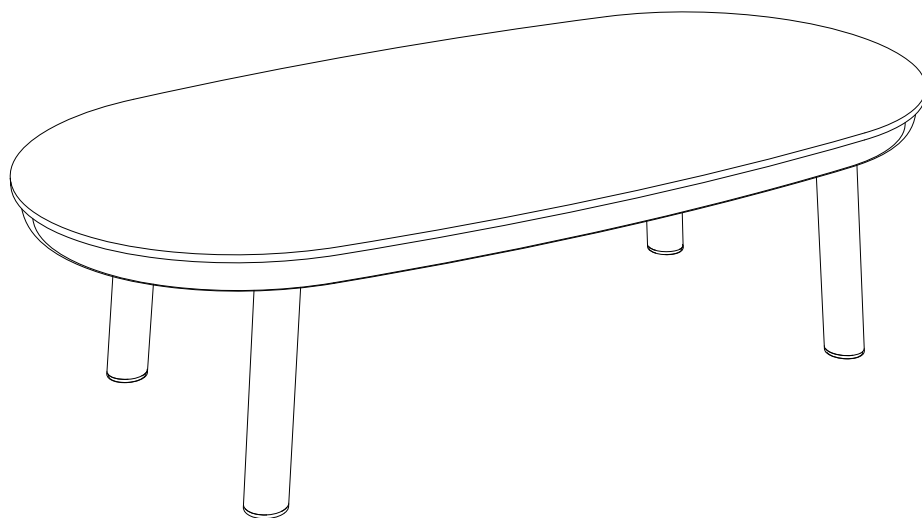


9

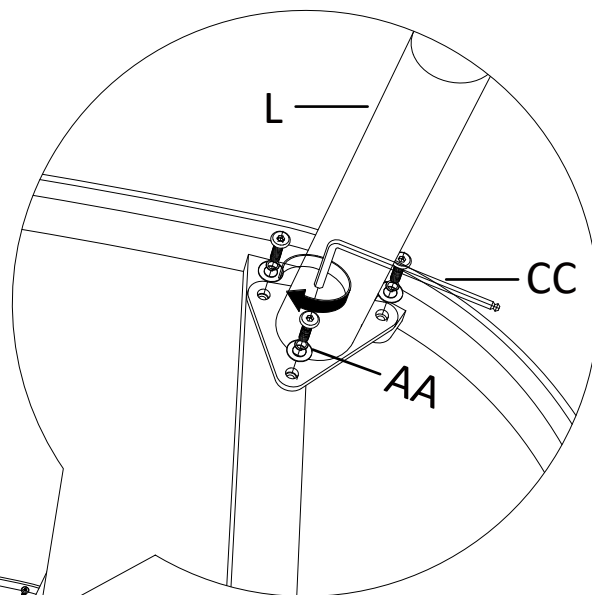
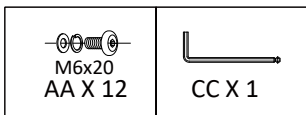


10

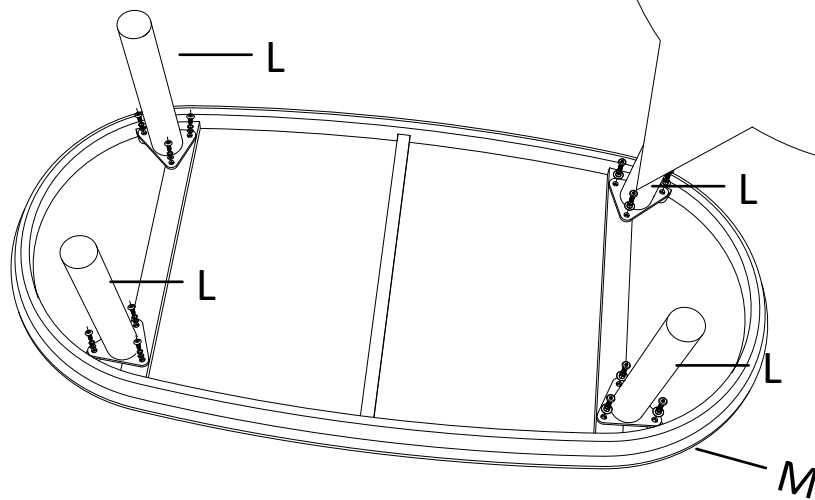
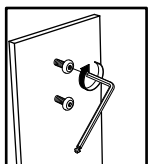




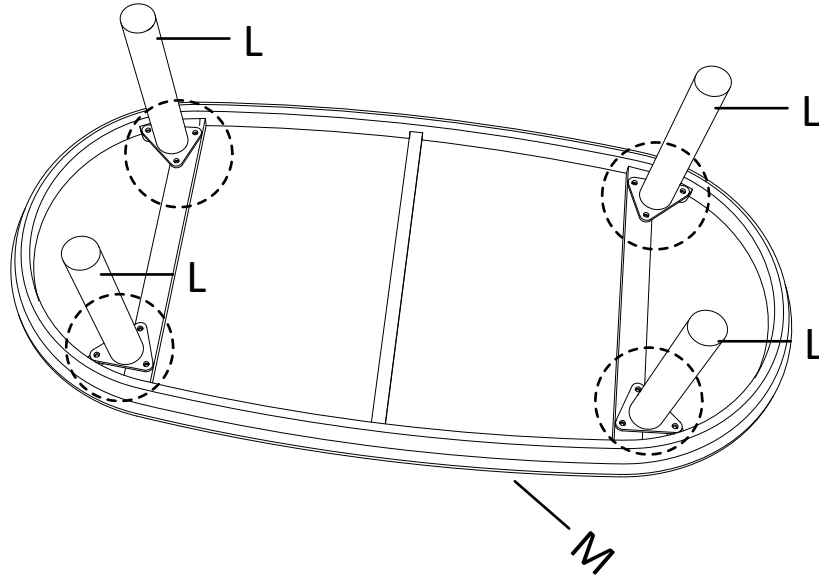
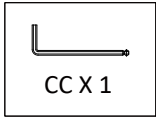
1



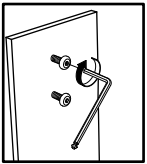
50%



2



100%



3

