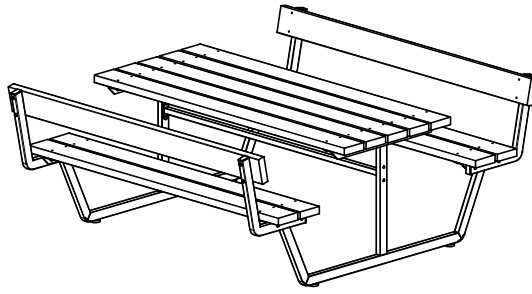


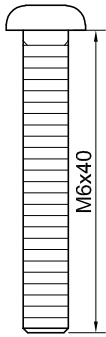
SNAPPARP PICNIC FRAME LOW

MONTERINGSANVISNING - ASSEMBLY INSTRUCTIONS MONTAGE
MONTAGEANLEITUNG KASAUSOHJEET



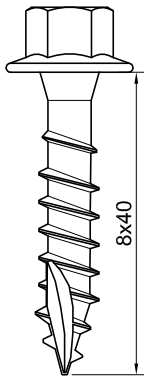
A

4x



B

36x



C

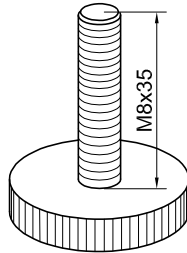
4x



M6

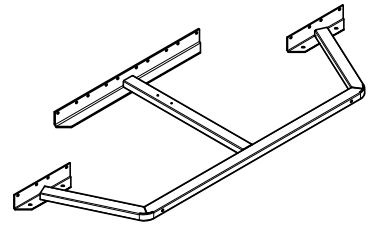
D

4x



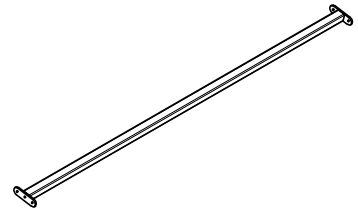
E

2x



F

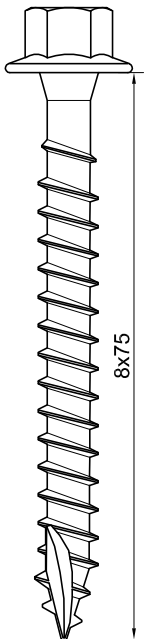
1x



OPTIONAL

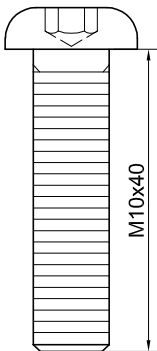
G

8x



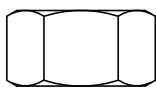
H

8x



I

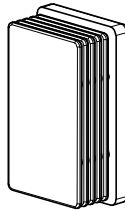
8x



M10

L

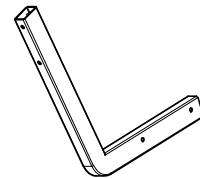
8x



50x30

M

4x



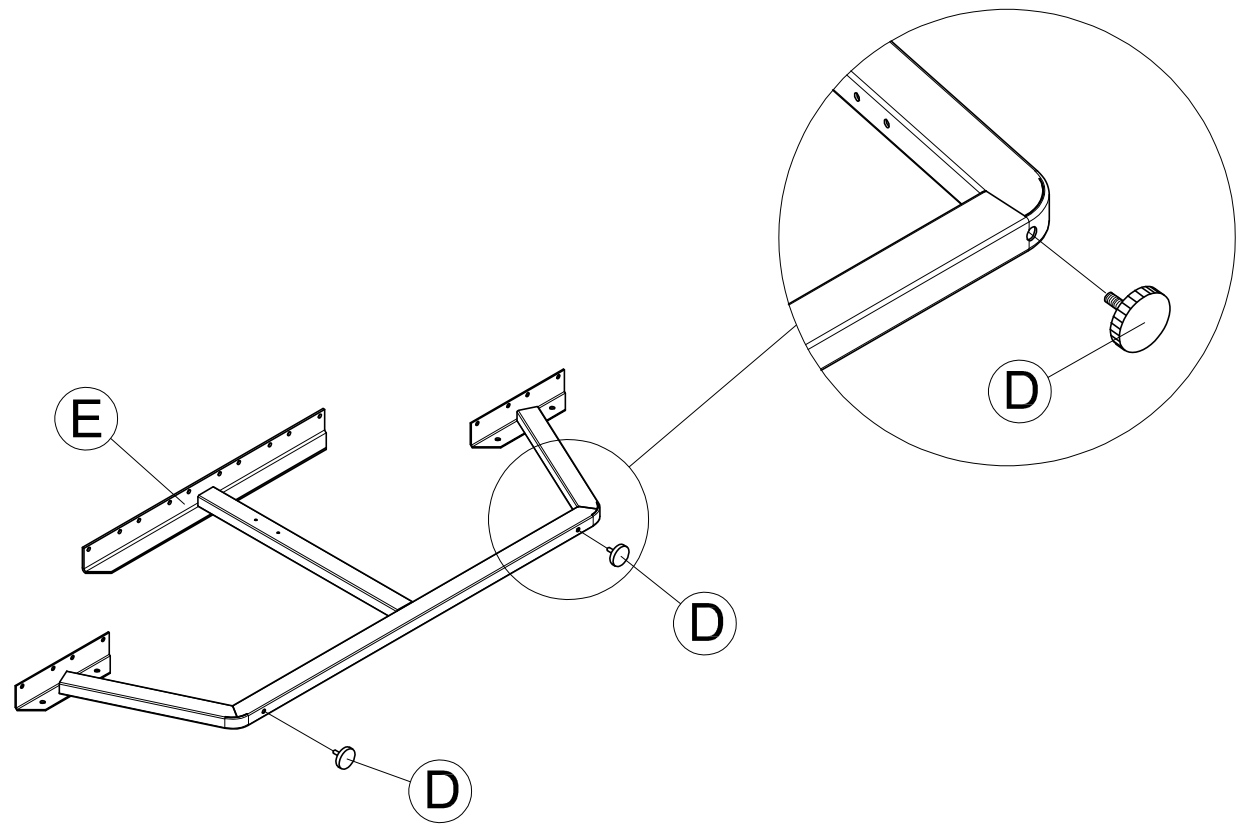
Istr. **836**

Rev.00

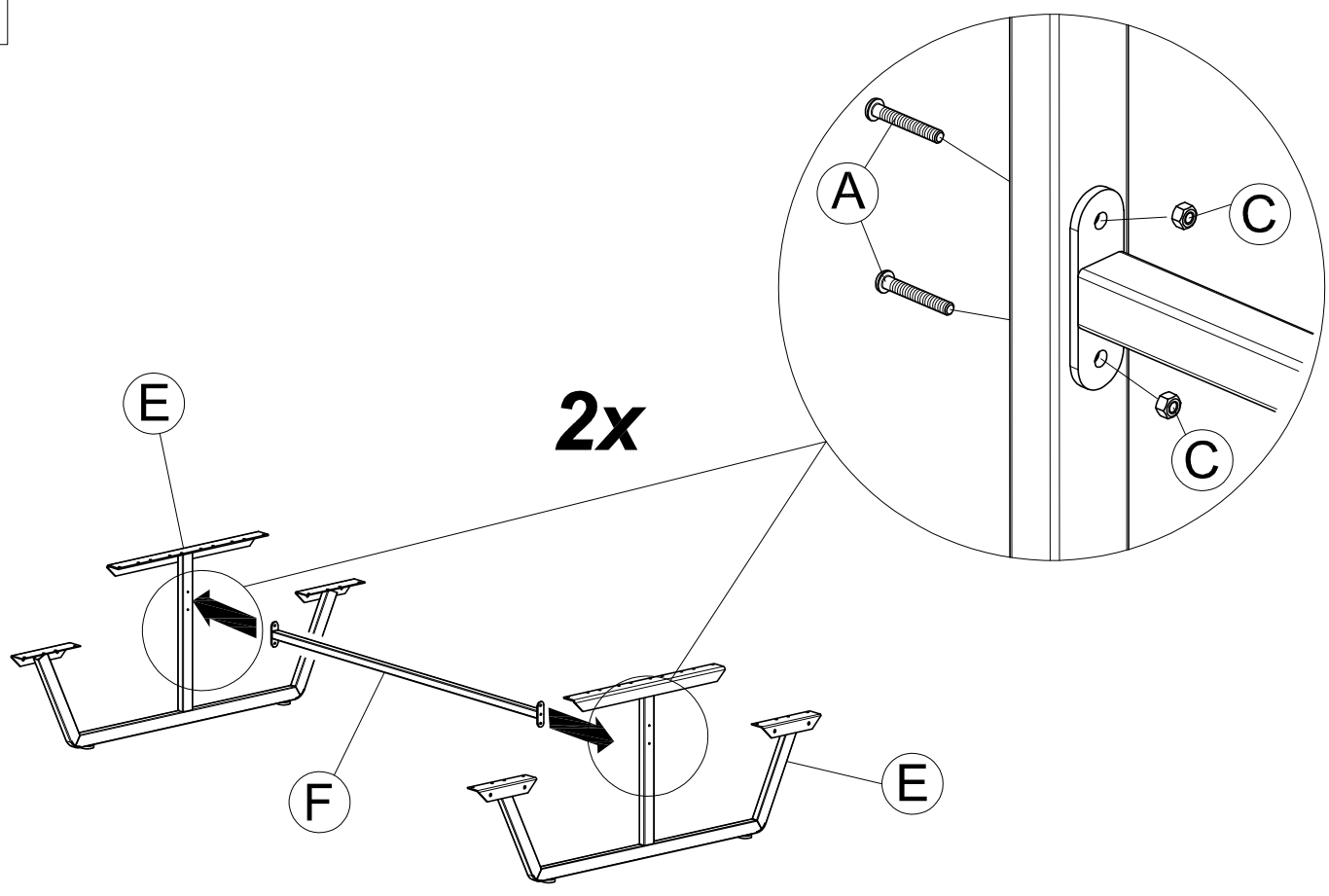
26/02/2020

Pag.1/4

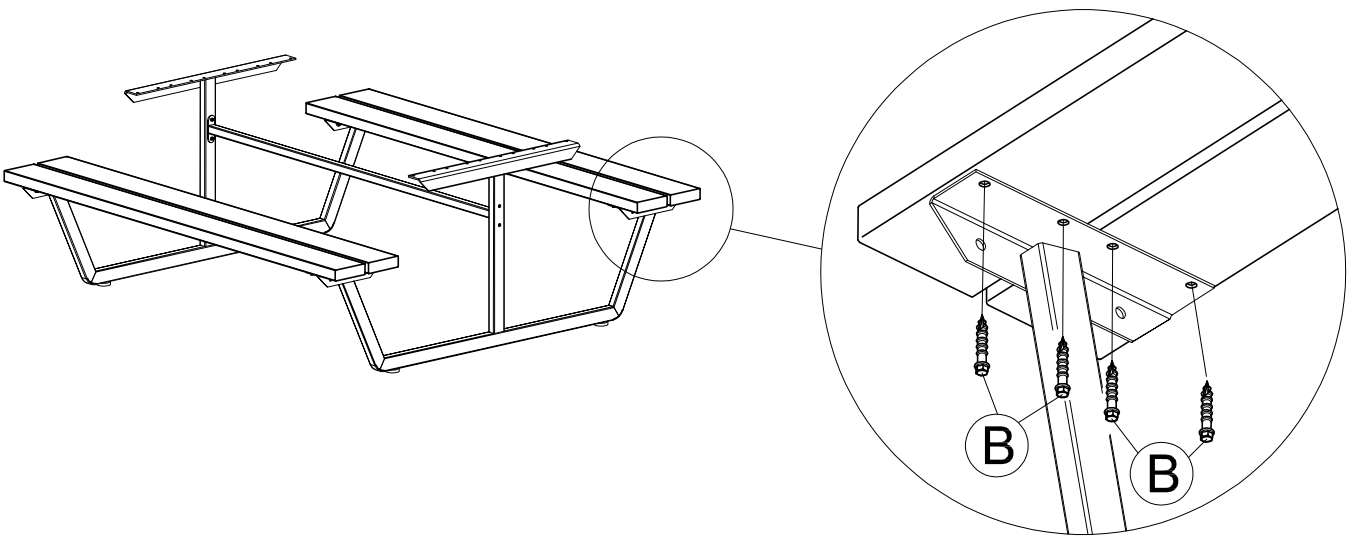
1



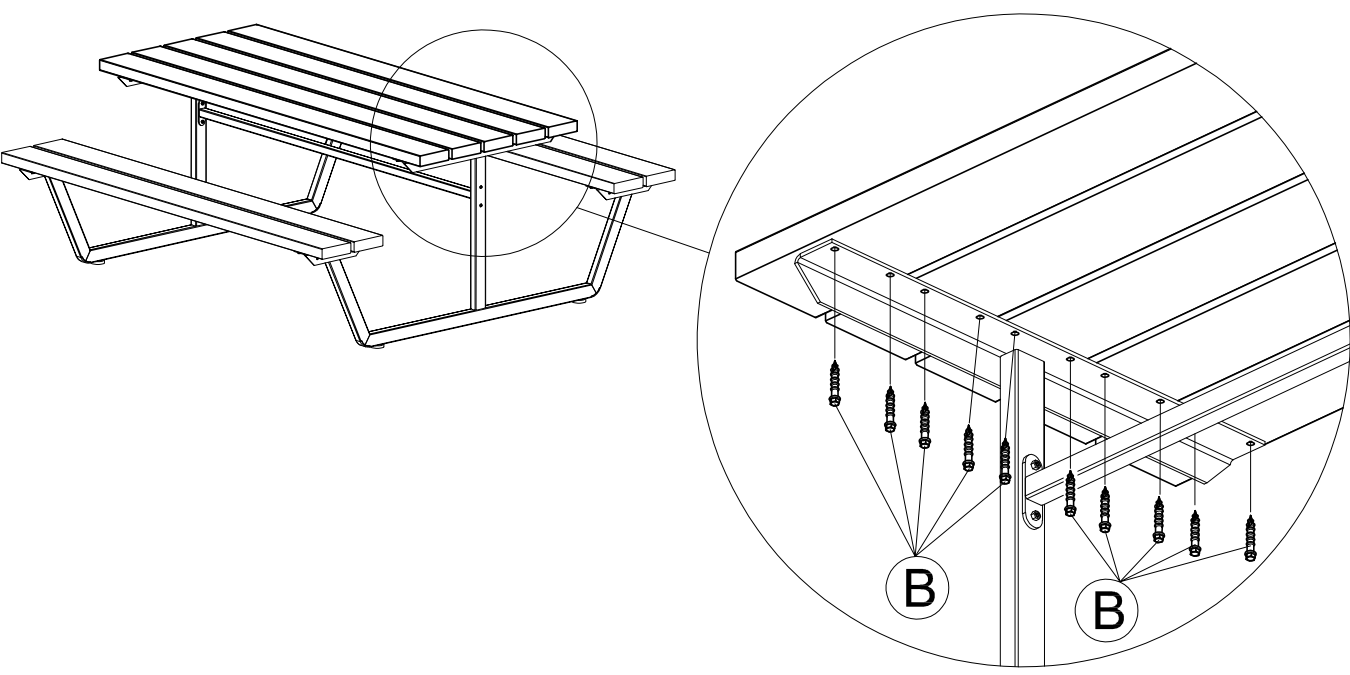
2



3

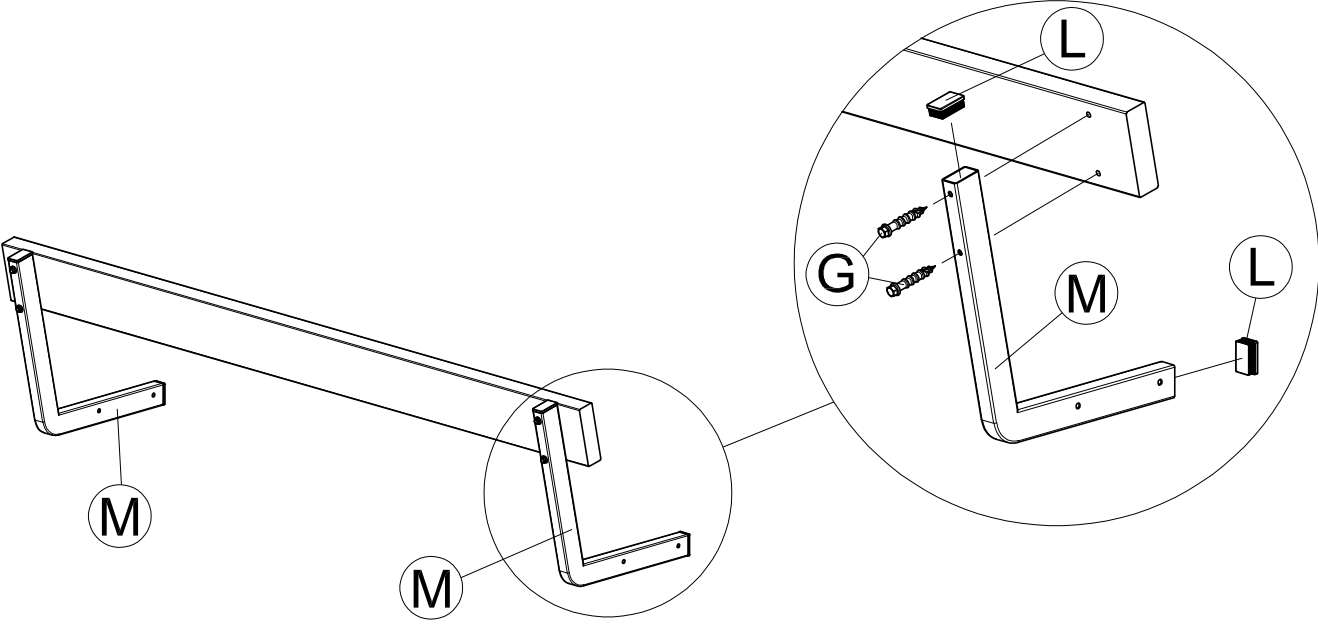


4



OPTIONAL

5



6

