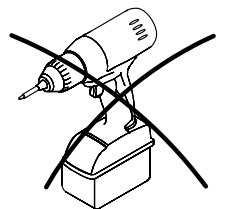
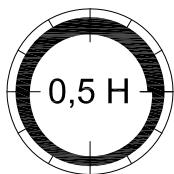
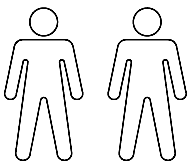
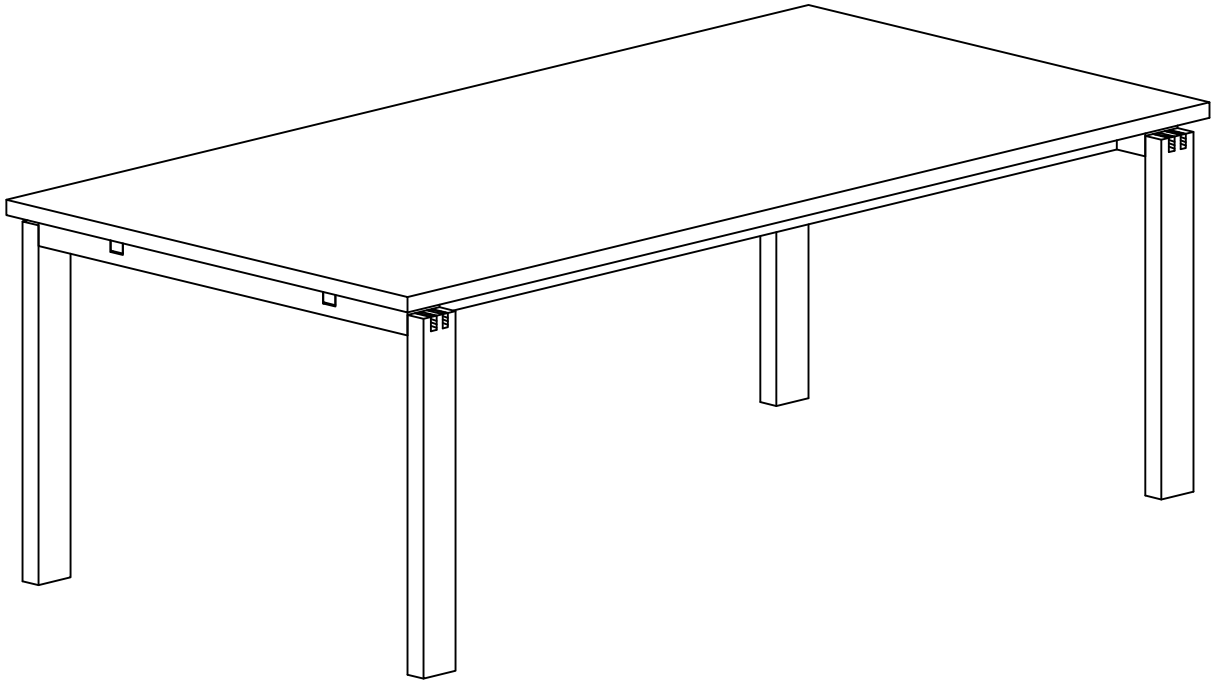
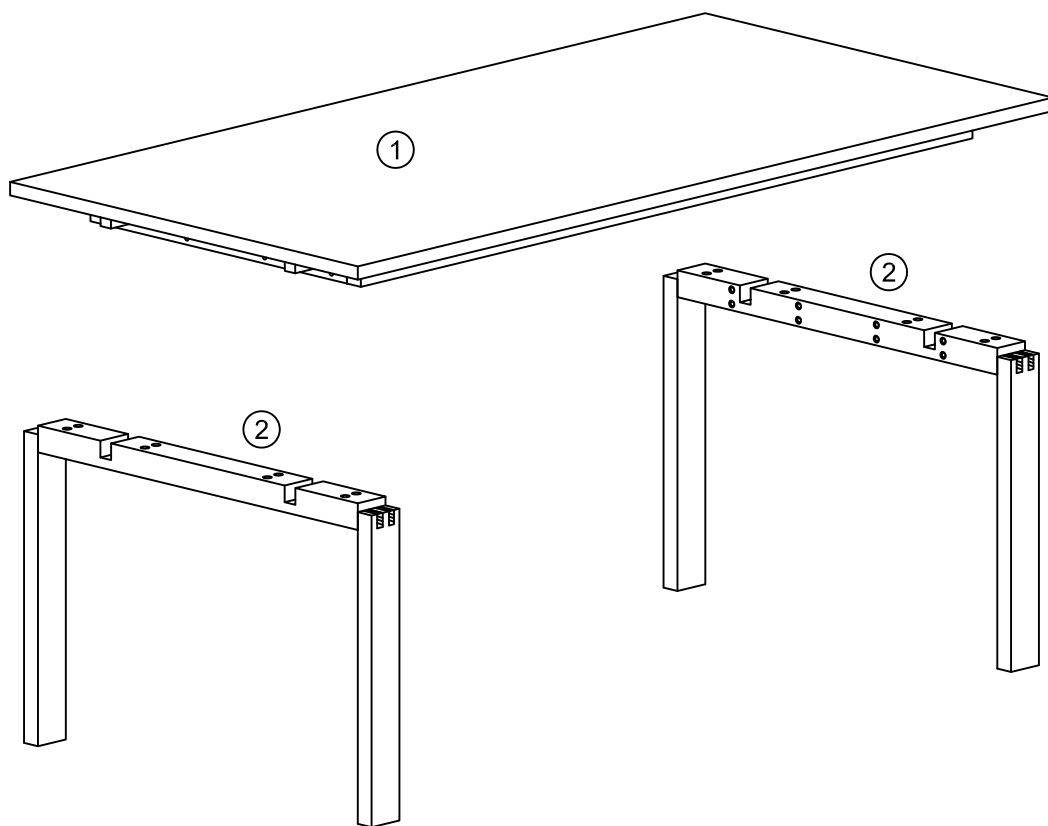
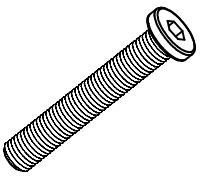
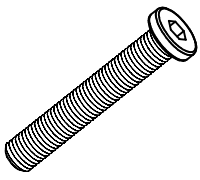
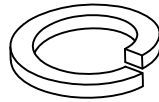
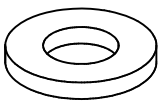

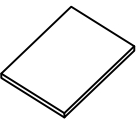


# PORTSIDE


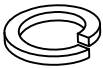




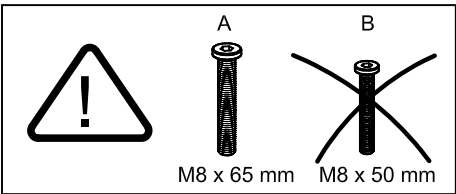
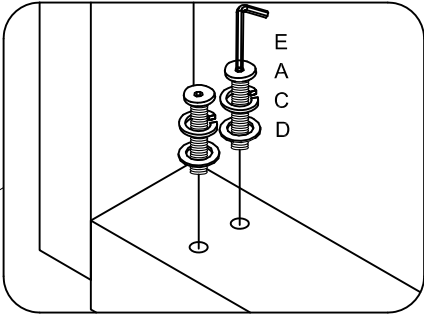
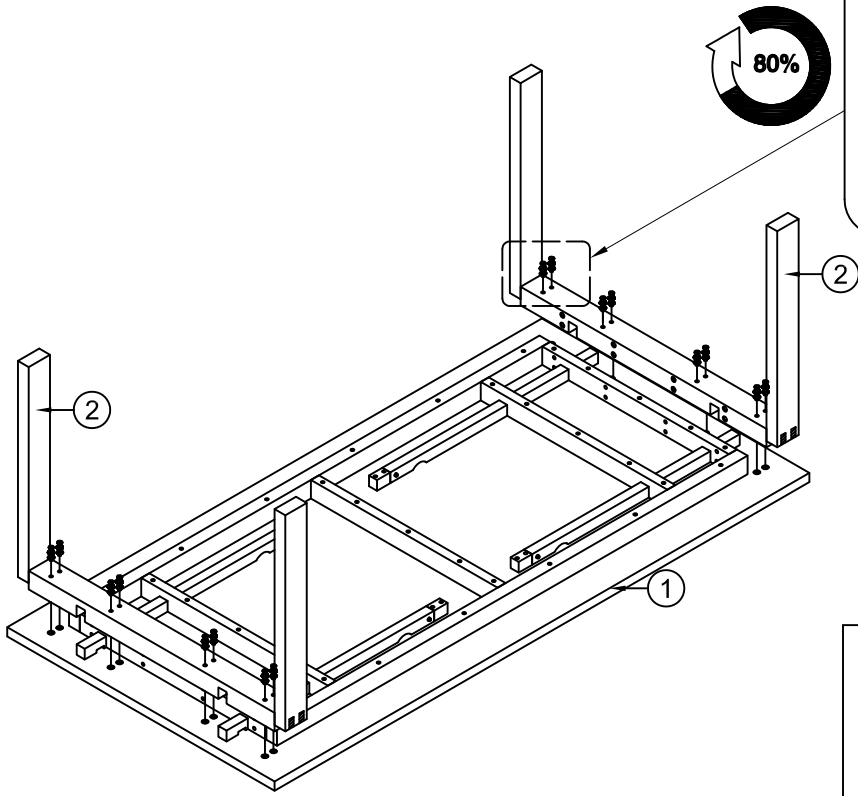
			✓
①	1	2000 x 1000 x 90	
②	2	720 x 1000 x 80	




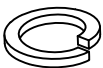


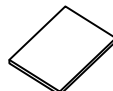
<p>A x 16</p>  <p>M8 x 65 mm</p>	<p>B x 16</p>  <p>M8 x 50 mm</p>	<p>C x 32</p>  <p>Ø8 mm</p>	<p>D x 32</p>  <p>Ø8/Ø16 mm</p>	<p>E x 1</p>  <p>5 mm</p>
<p>F x 4</p>  <p>70 x 30 x 3 mm</p>				

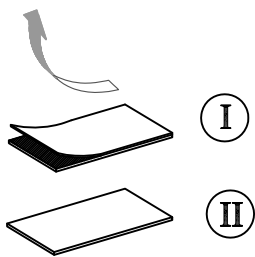
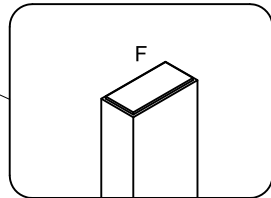
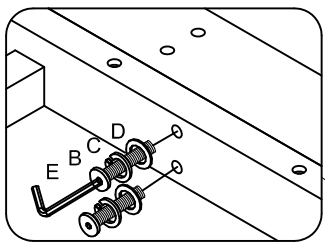
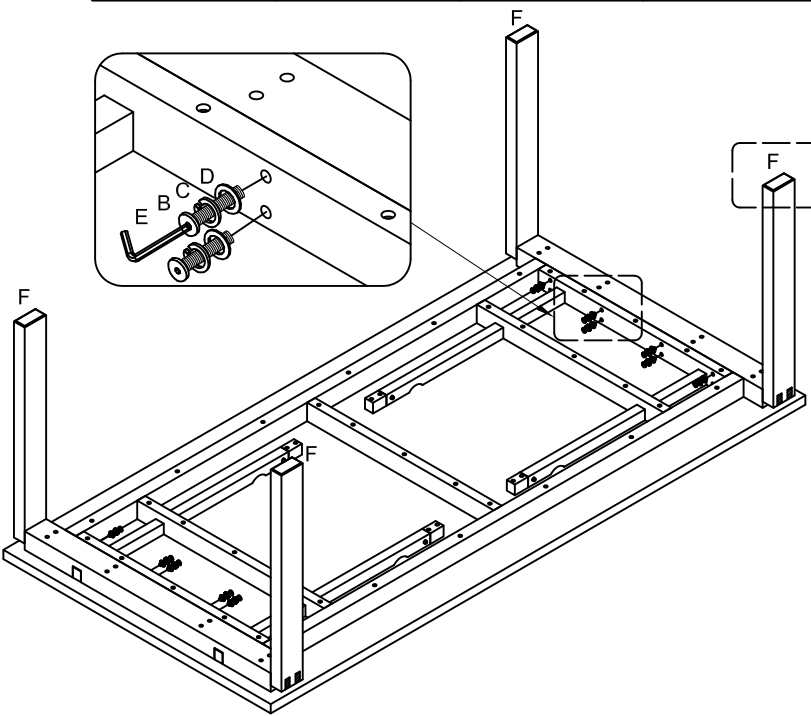
# 1

A x 16  M8 x 65 mm	C x 16  Ø8 mm	D x 16  Ø8/Ø16 mm	E x 1  5 mm
---	--	--	--

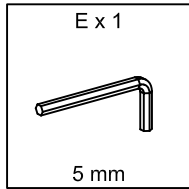


# 2

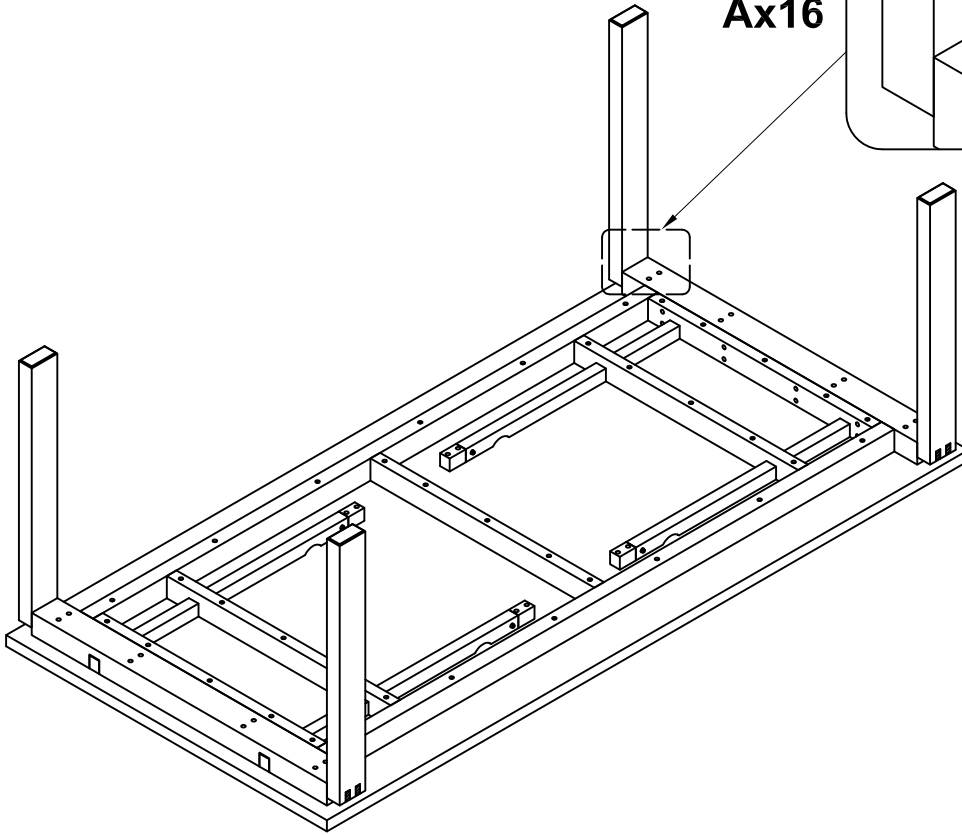
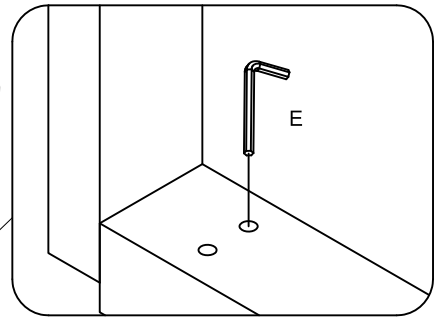
B x 16  M8 x 50 mm	C x 16  Ø8 mm	D x 16  Ø8/Ø16 mm	E x 1  5 mm	F x 4  70 x 30 x 3 mm
---	--	--	--	--



3



Ax16



4

