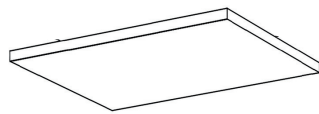
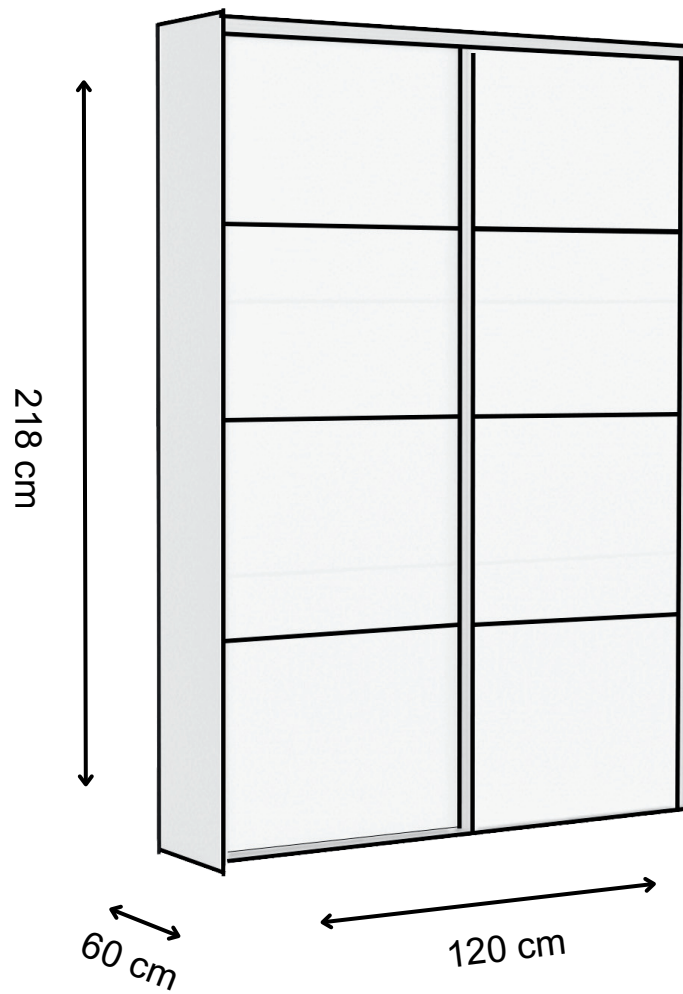


120 cm

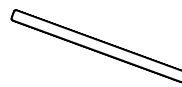
# SHAPE

## MONTERINGSANVISNING

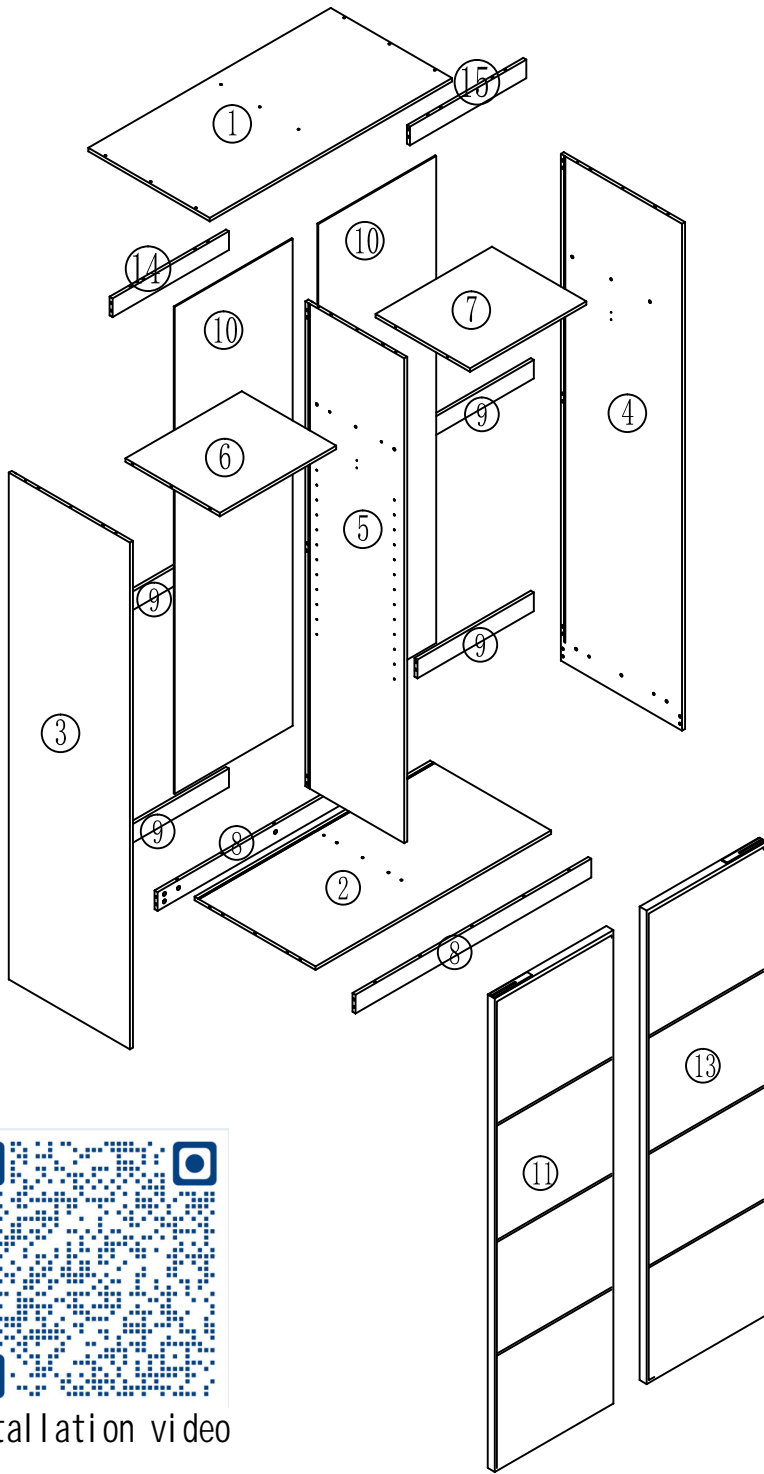
*Installation manual*



**2x Hattehyller**  
2x Topshelves



**2x Garderobestenger**  
2x Wardrobe rods



### BOX 1

⑪	2035x587x35	1 PC
⑬	2035x587x35	1 PC

### BOX 2

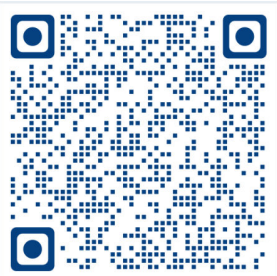
③	2173x600x15	1 PC
④	2173x600x15	1 PC
⑩	2088x584x5	2 PCS

### BOX 3

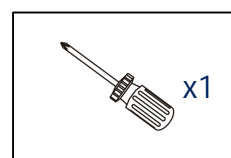
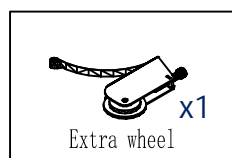
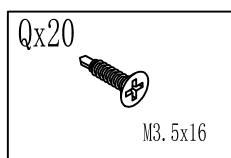
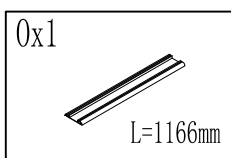
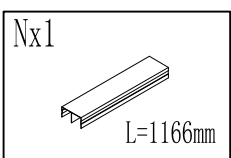
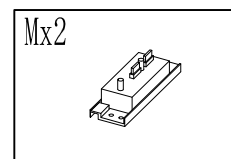
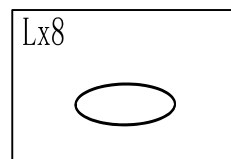
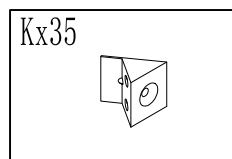
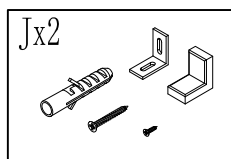
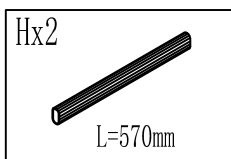
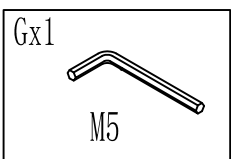
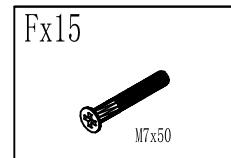
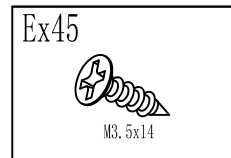
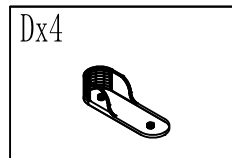
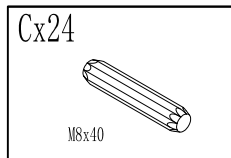
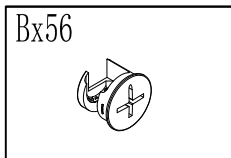
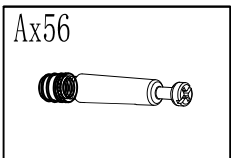
⑤	2078x490x15	1 PC
⑥	576x467x15	1 PC
⑦	576x467x15	1 PC

### BOX 4

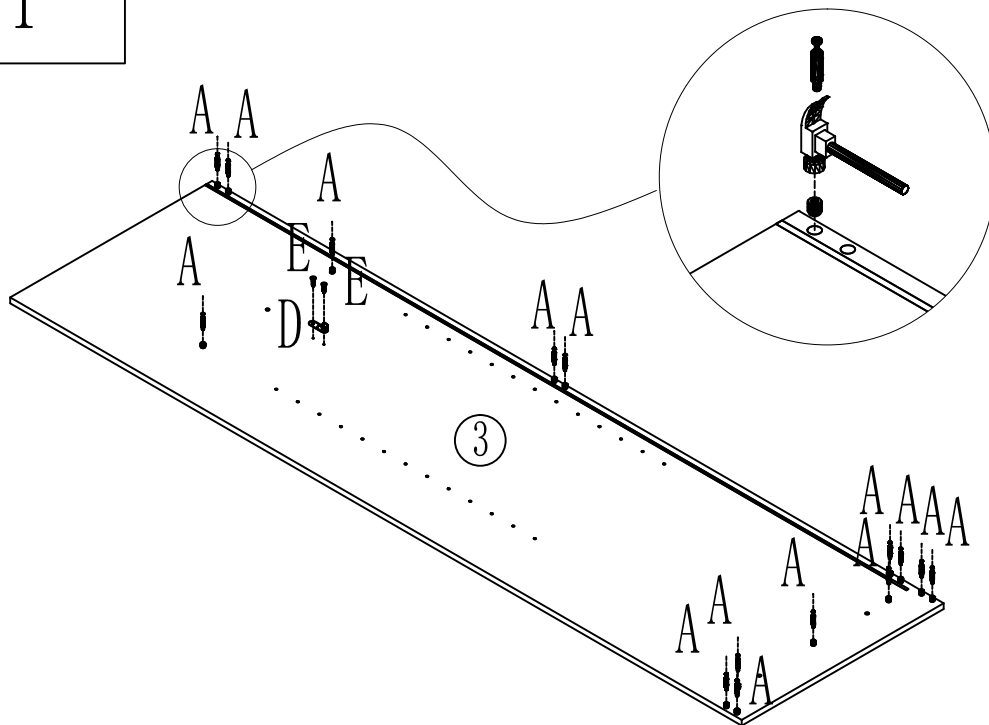
①	1200x600x15	1 PC
②	1167x599x15	1 PC
⑧	1167x80x15	2 PCS
⑨	576x80x15	4 PCS
⑭	576x80x15	1 PC
⑮	576x80x15	1 PC



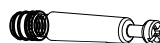
Installation video



# Step 1



Ax15



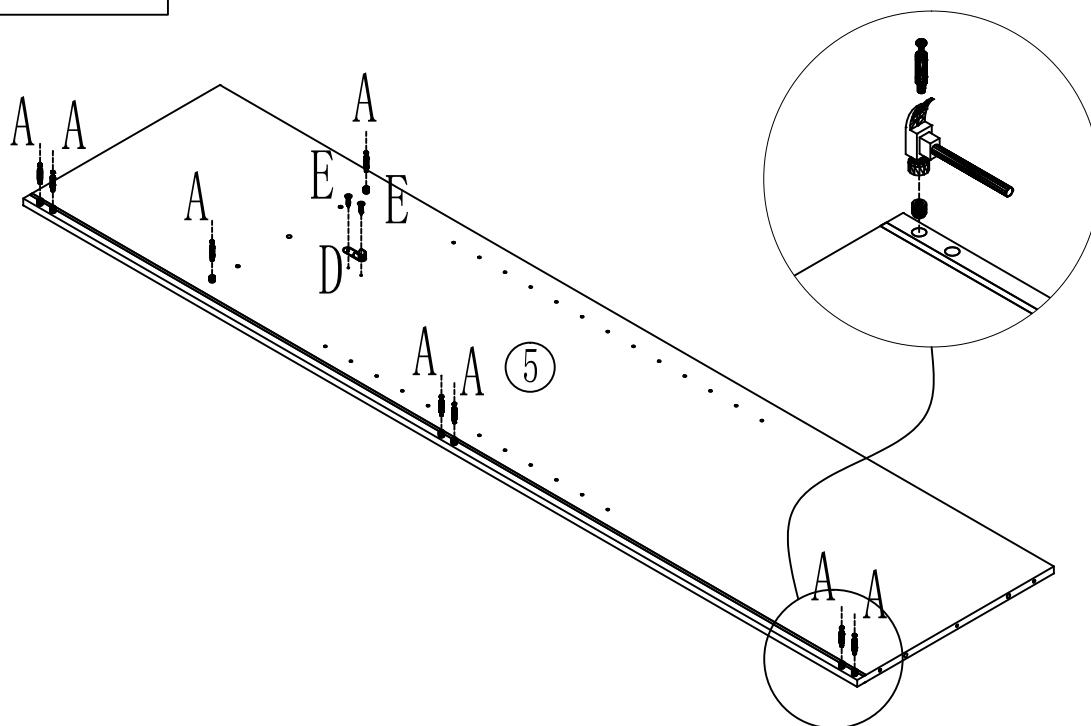
Dx1



Ex2



# Step 2



Ax8



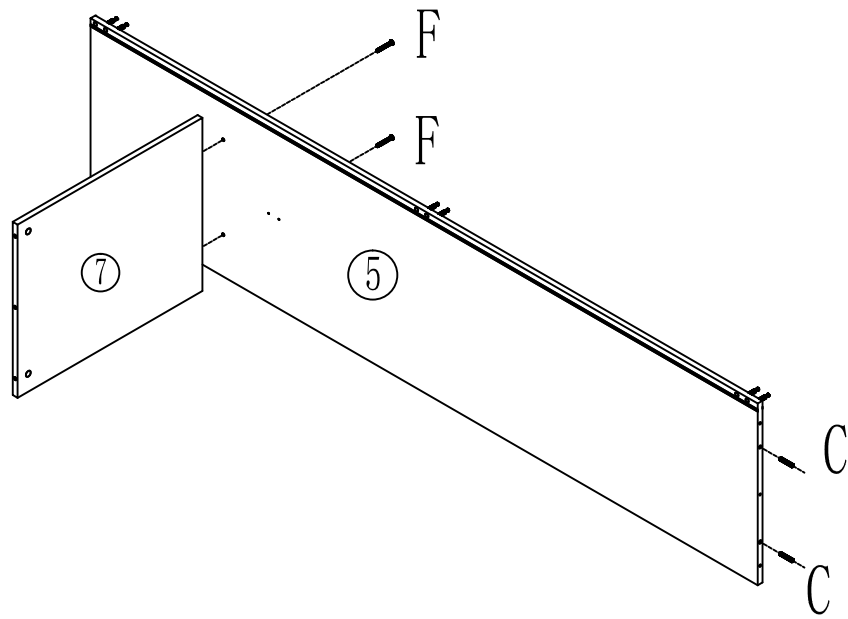
Dx1



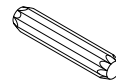
Ex2



# Step 3



Cx2



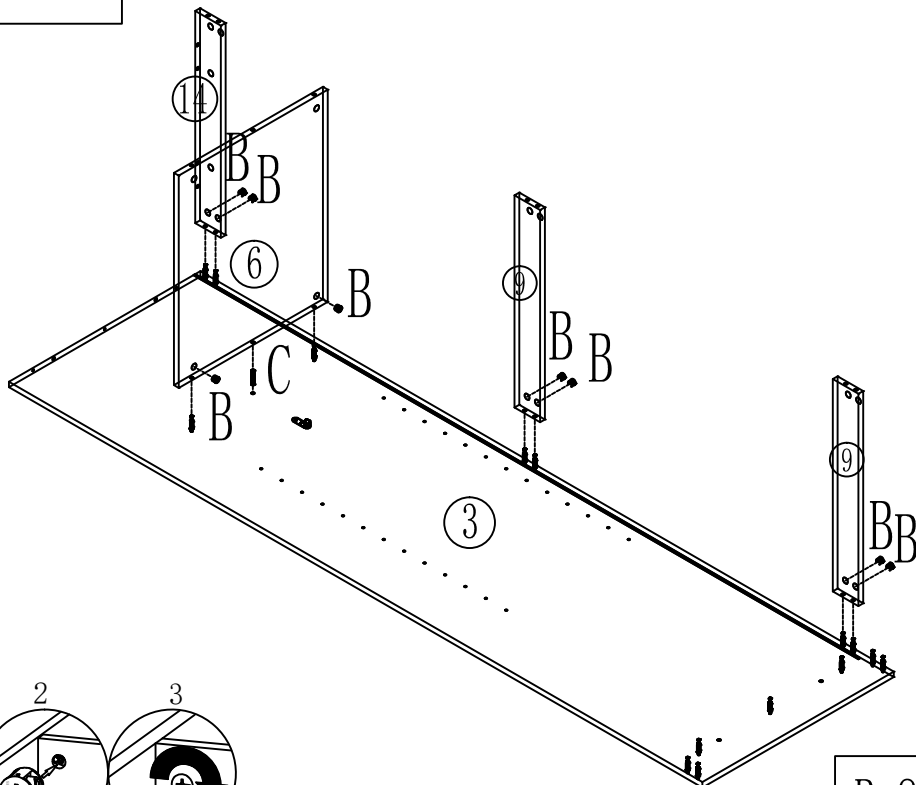
M8x40

Fx2



M7x50

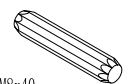
# Step 4



Bx8

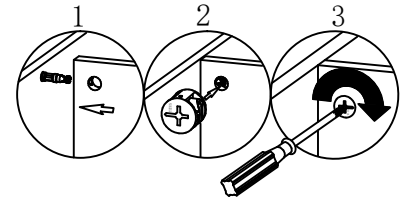
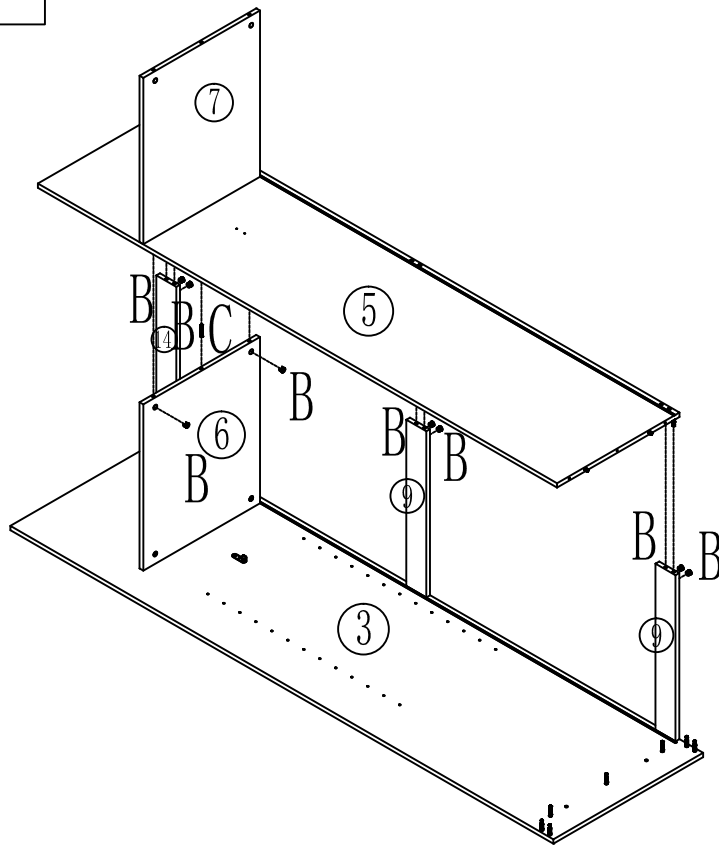



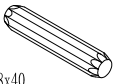
Cx1



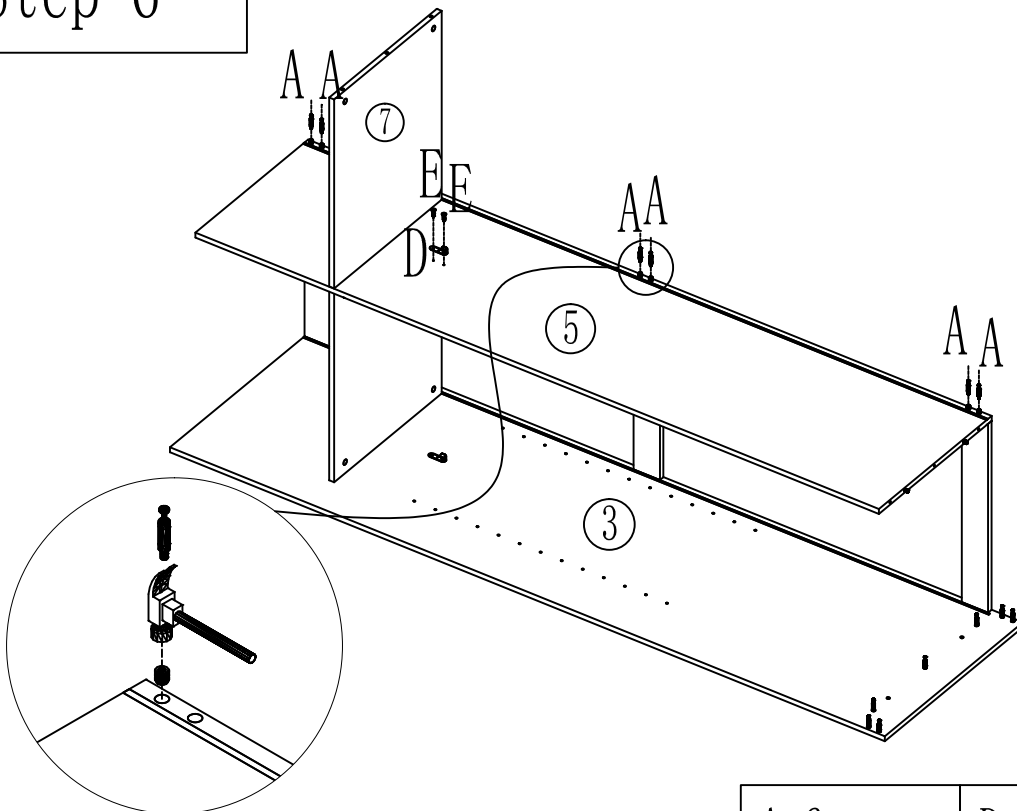
M8x40

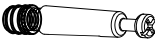


# Step 5



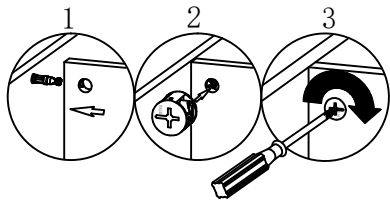
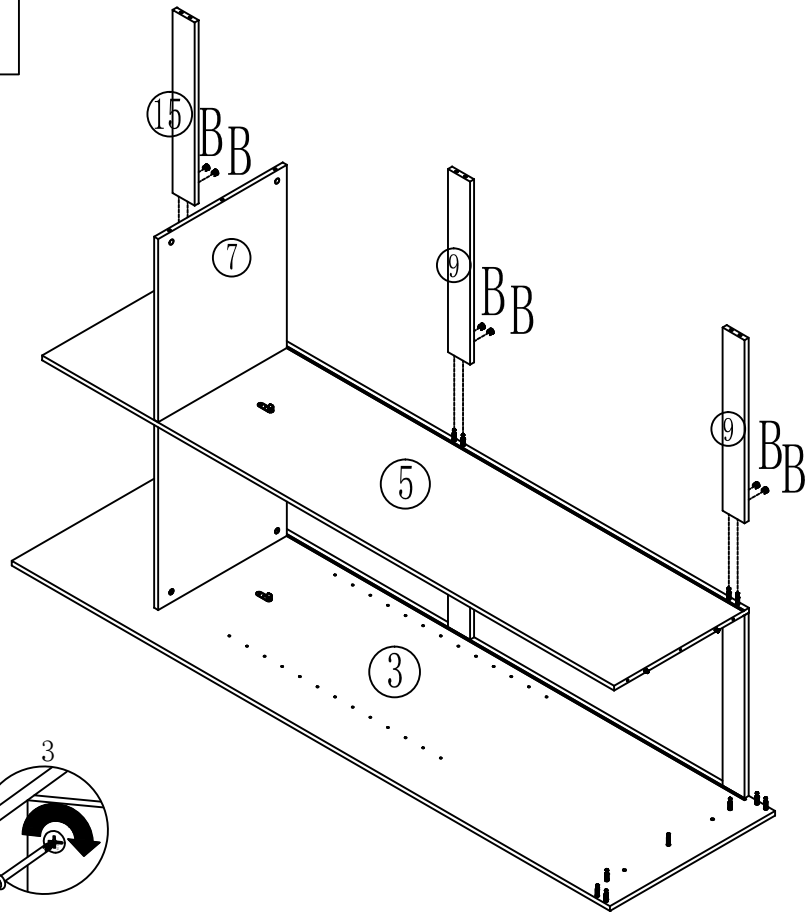
<p>Bx8</p> 	<p>Cx1</p>  <p>M8x40</p>
--	--

# Step 6



<p>Ax6</p> 	<p>Dx1</p> 	<p>Ex2</p>  <p>M3.5x14</p>
---	--	---

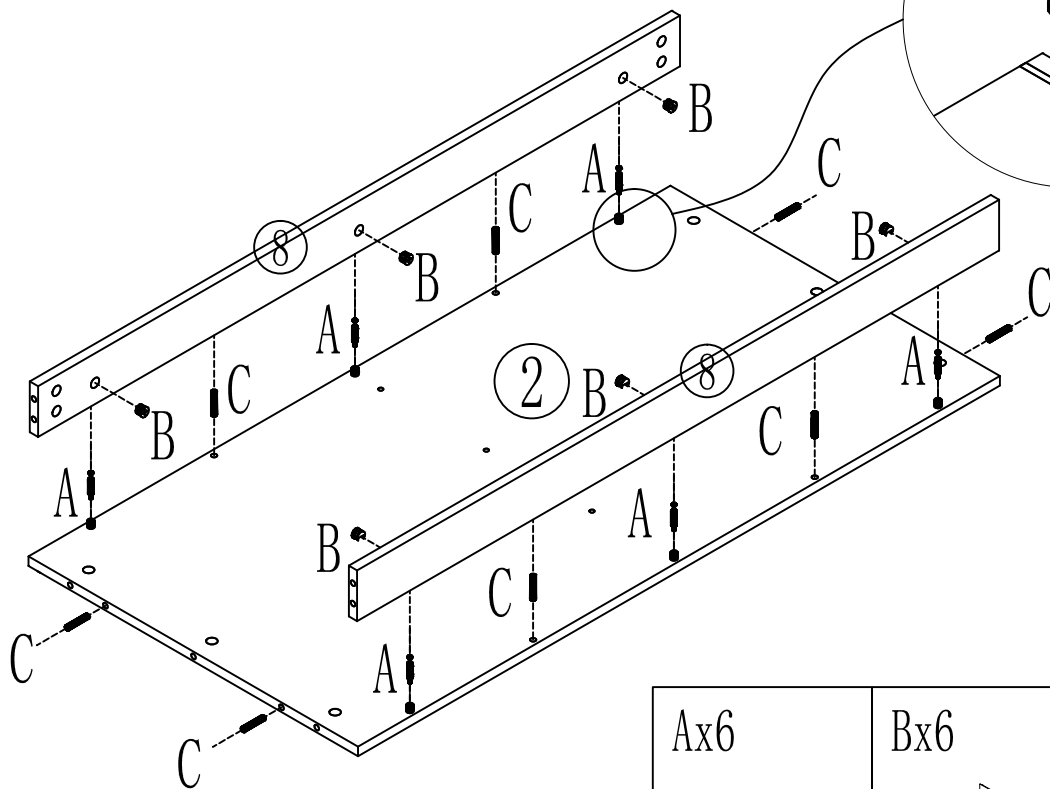
# Step 7



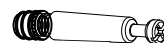
Bx6



# Step 8



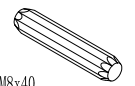
Ax6



Bx6

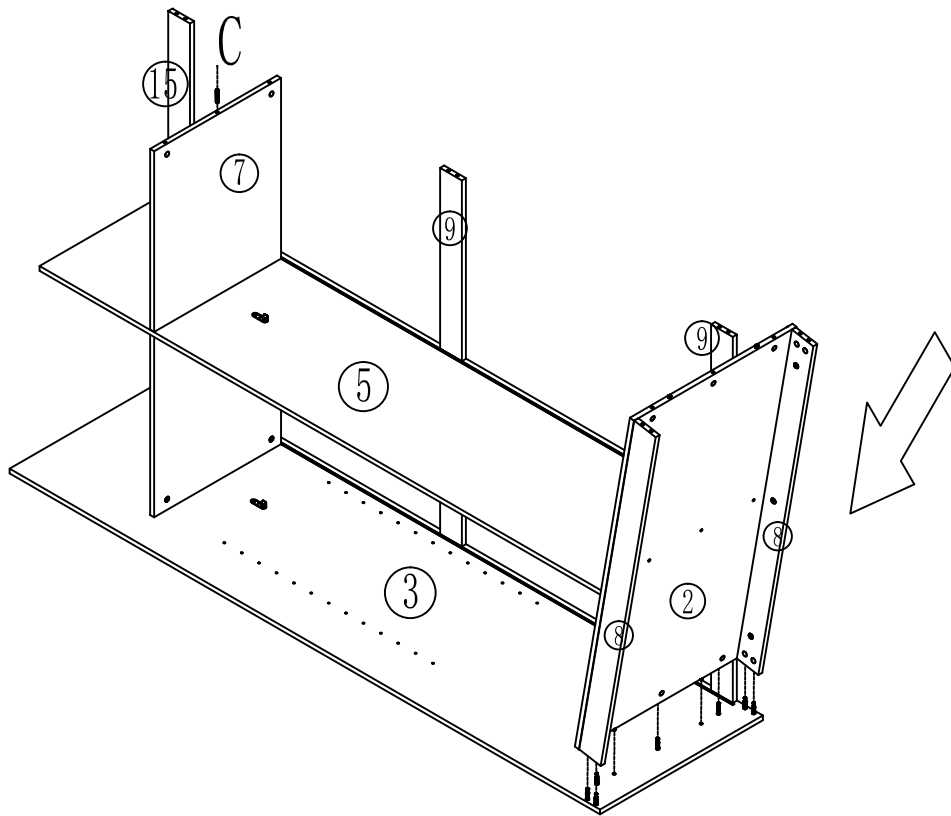


Cx8

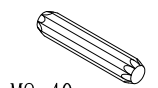


M8x40

# Step 9

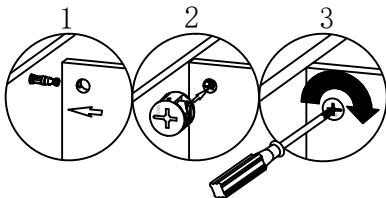
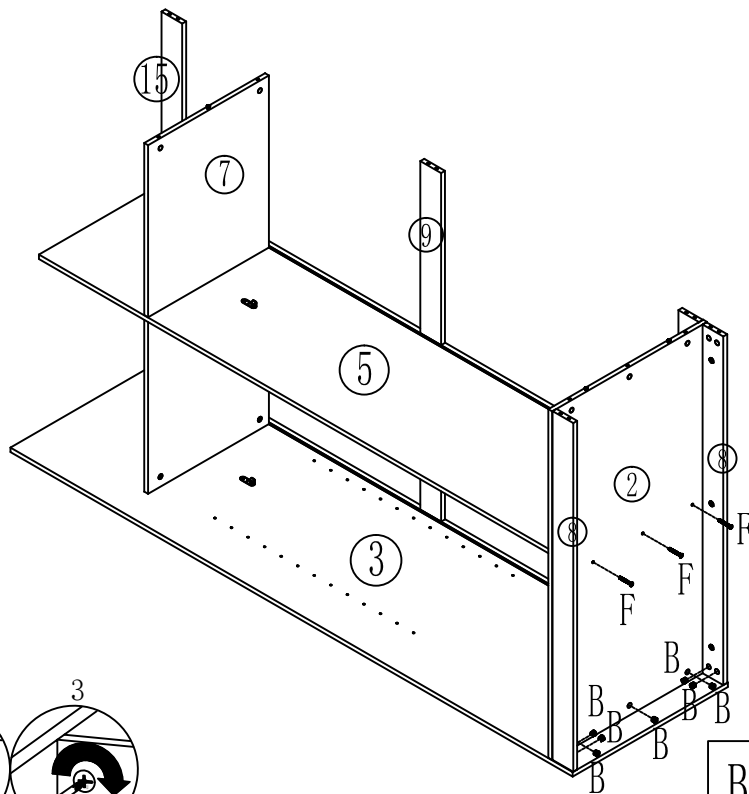


Cx1



M8x40

# Step 10



Bx7

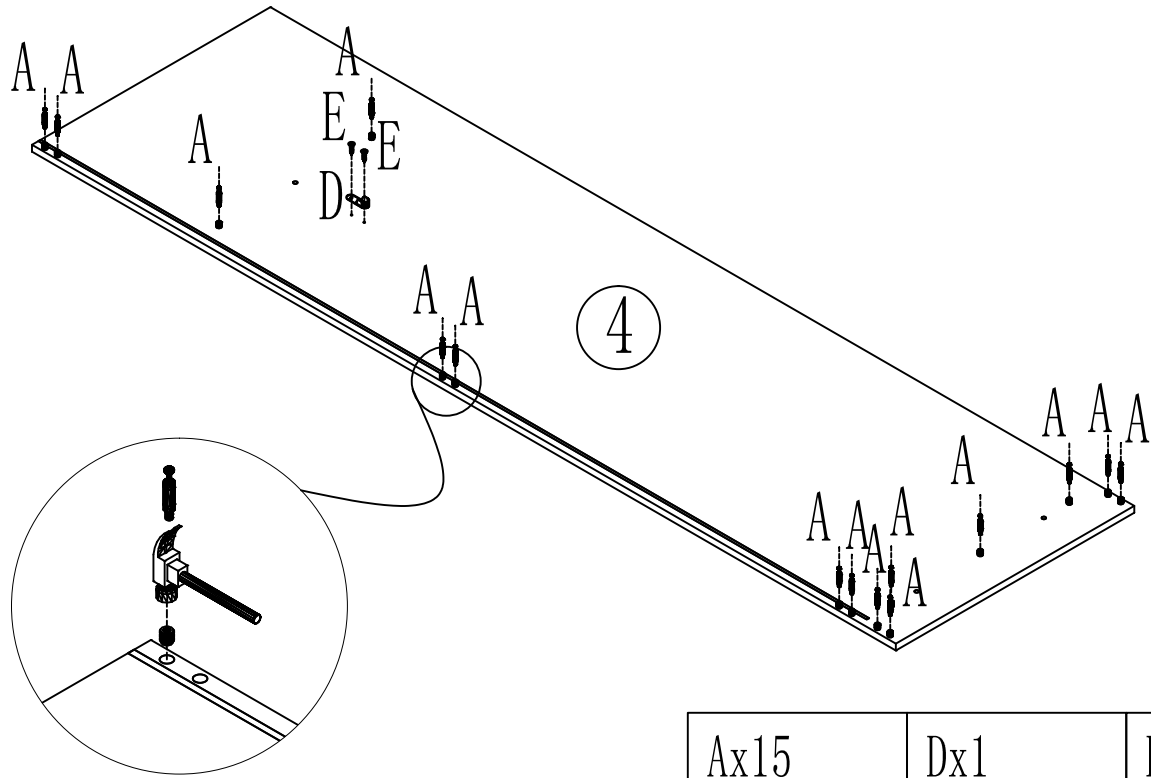


Fx3

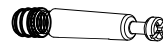


M7x50

# Step 11



Ax15



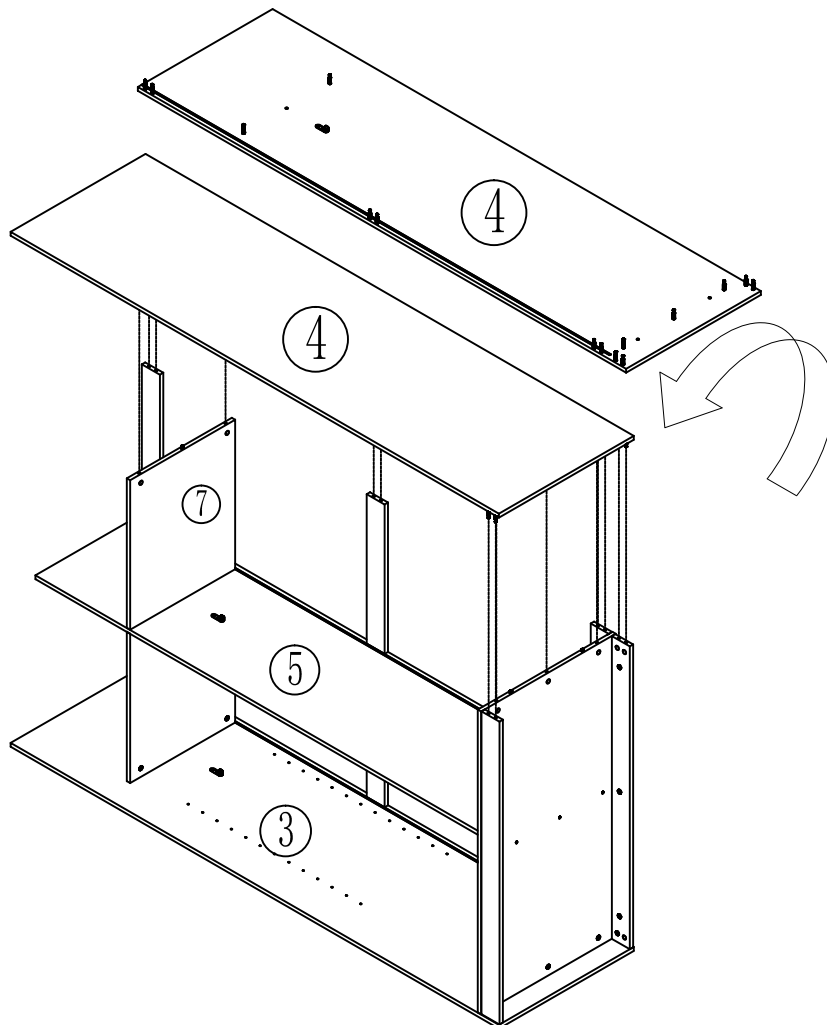
Dx1



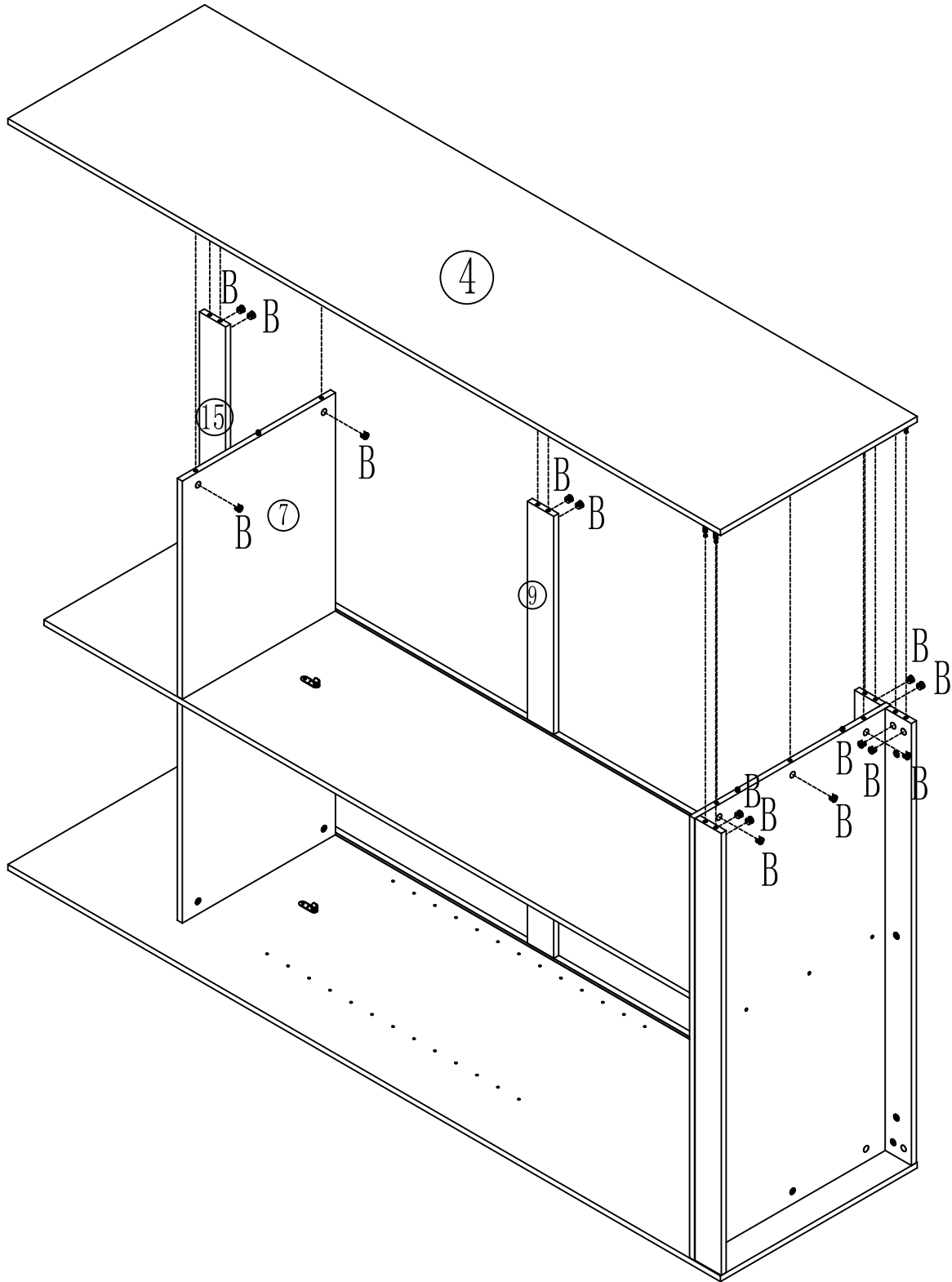
Ex2



# Step 12



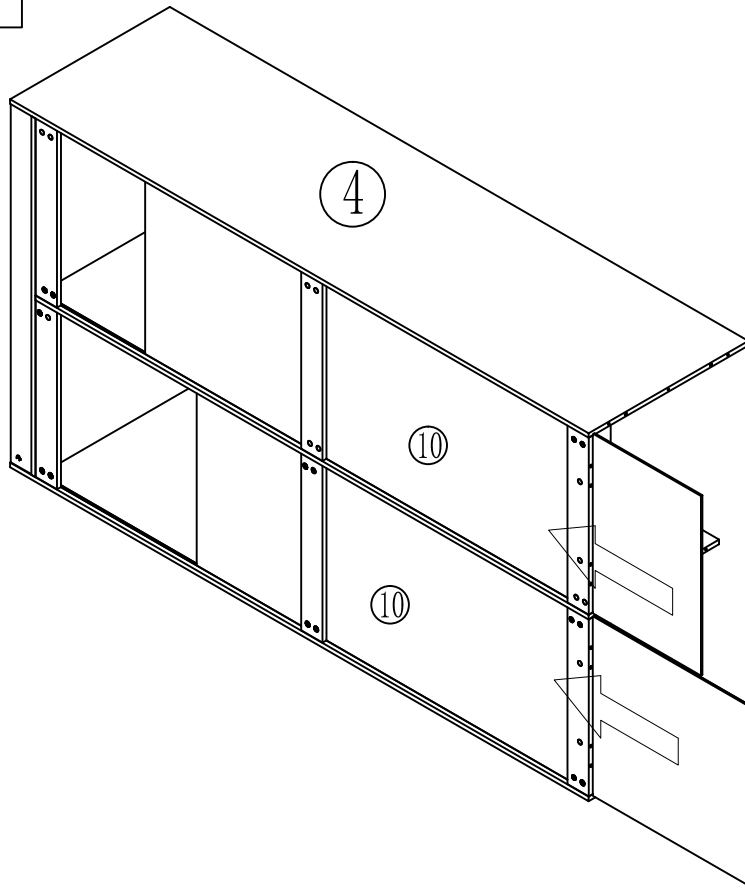
# Step 13



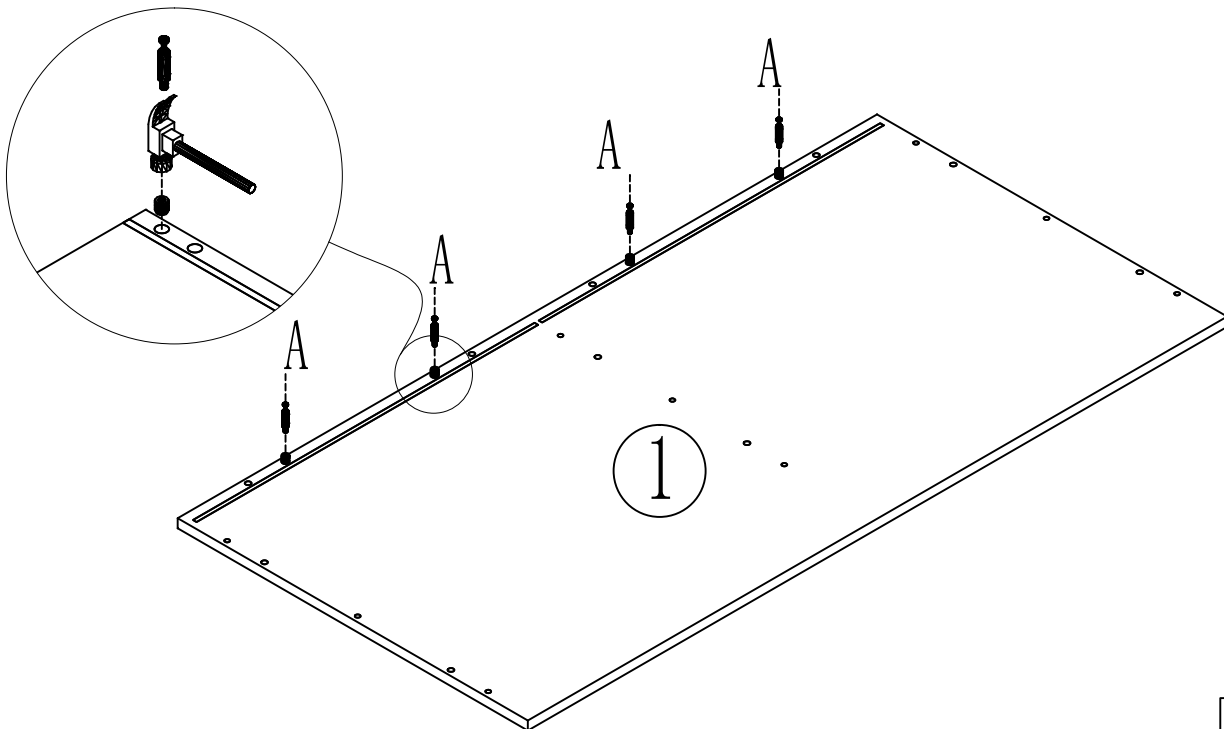
Bx15



# Step 14



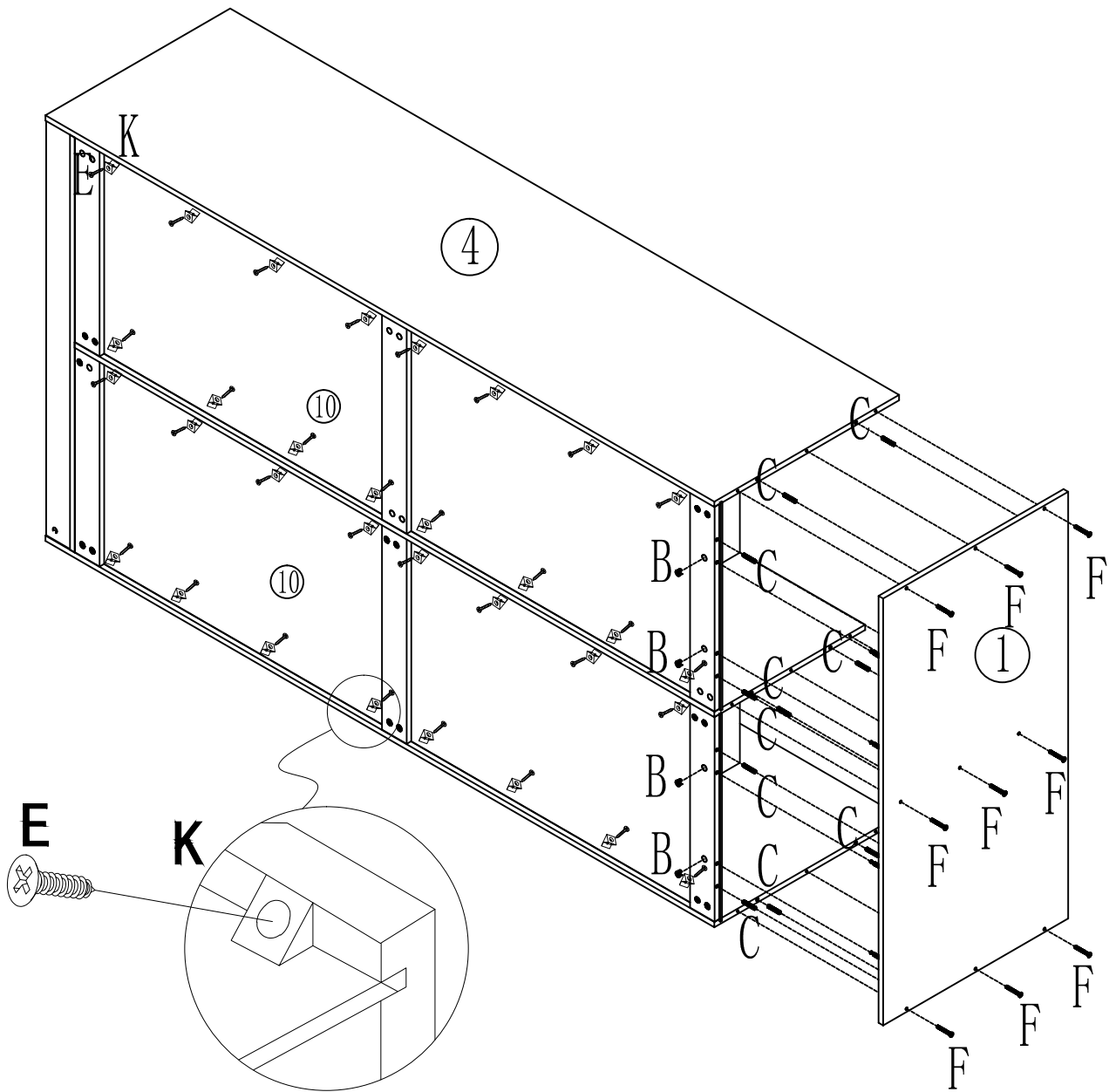
# Step 15

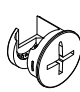
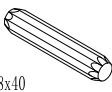


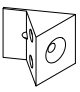


Ax4

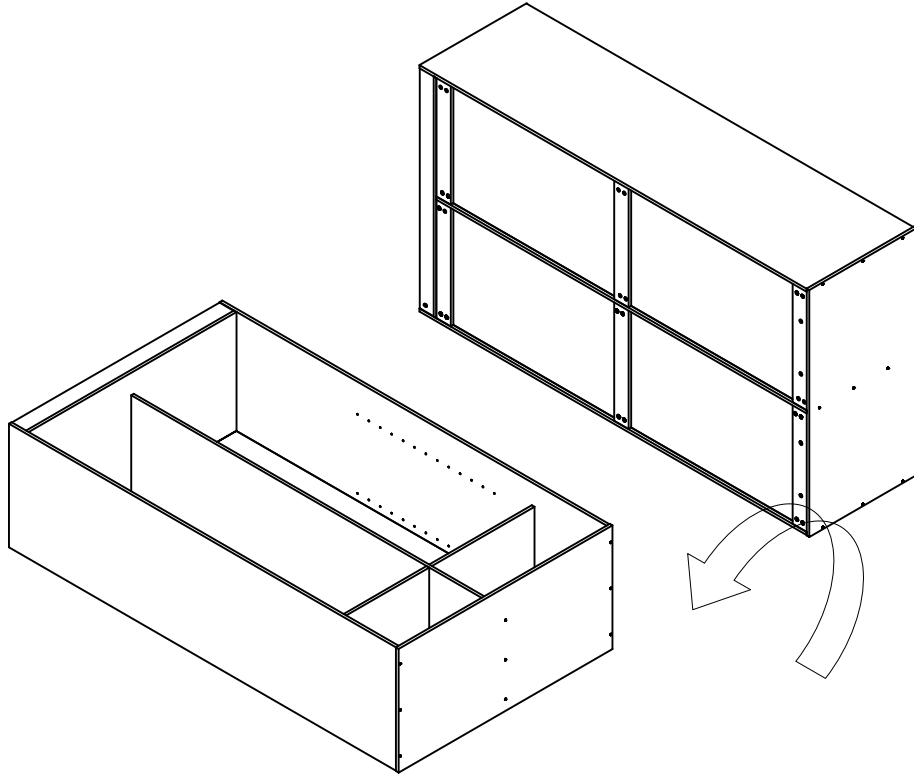


# Step 16

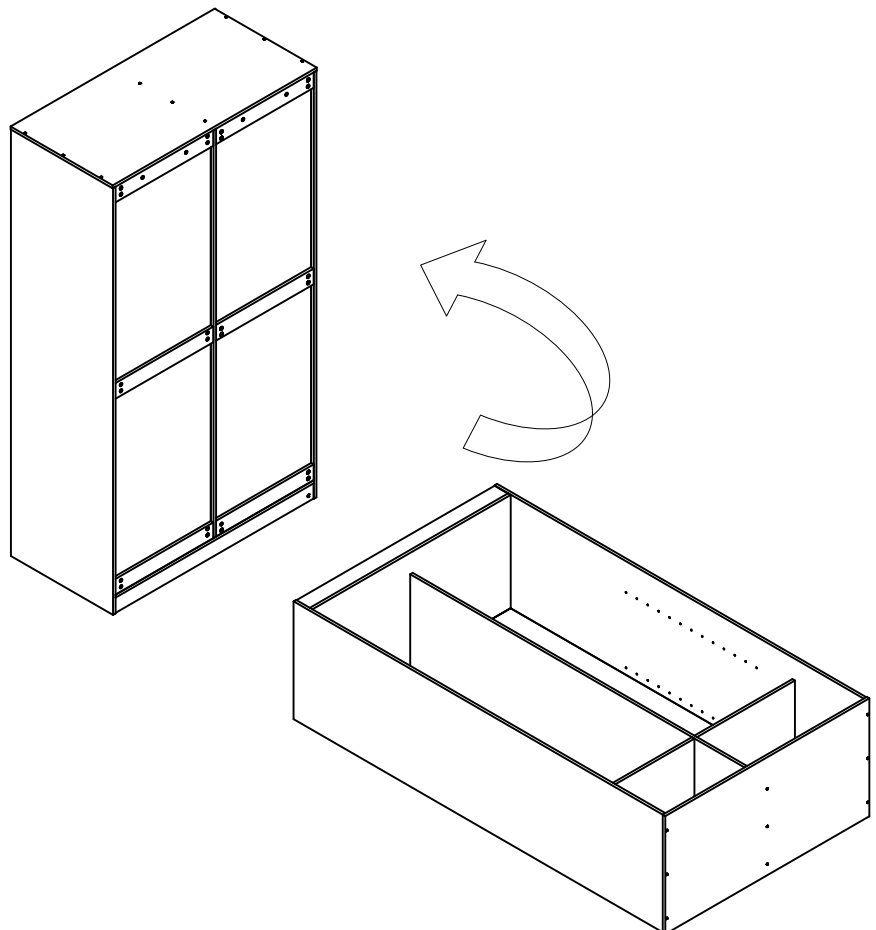


<p>Bx4</p> 	<p>Cx10</p>  <p>M8x40</p>	<p>Ex32</p>  <p>M3. 5x14</p>	<p>Fx9</p>  <p>M7x50</p>	<p>Kx32</p> 
--	--	--	---	---

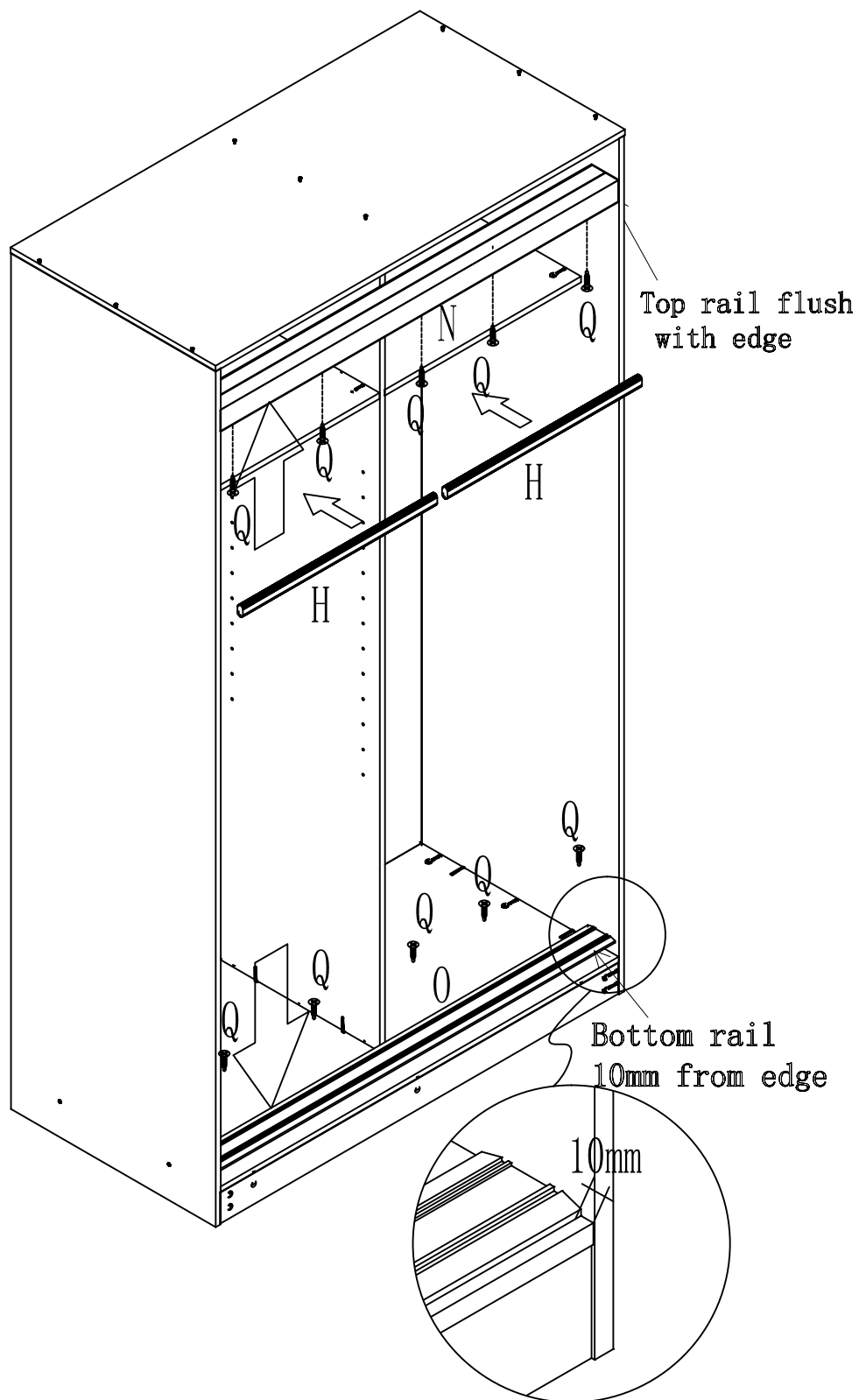
# Step 17



# Step 18



# Step 19

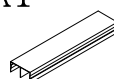


Hx2



L=570mm

Nx1



L=1166mm

Ox1



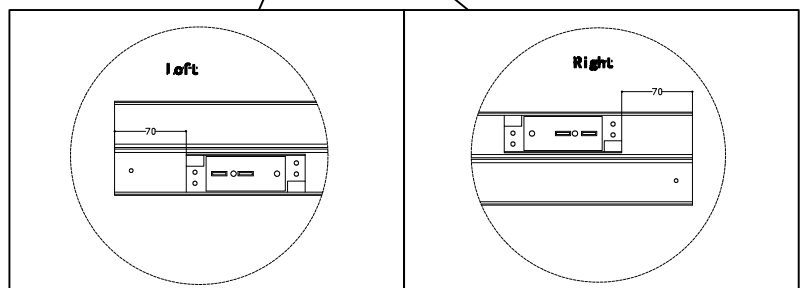
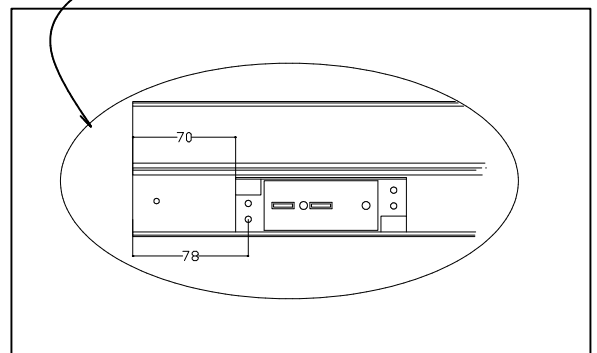
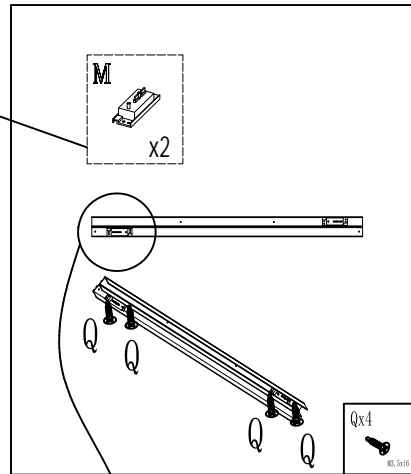
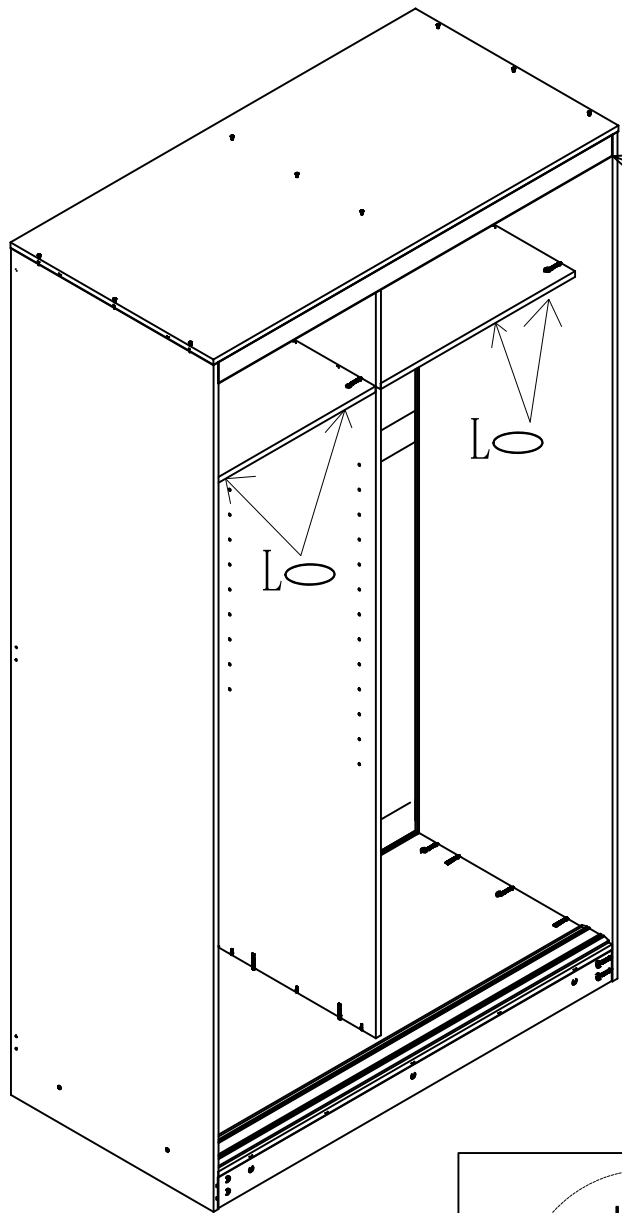
L=1166mm

Qx10



M3, 5x16

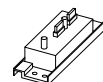
# Step 20



Lx6



Mx2

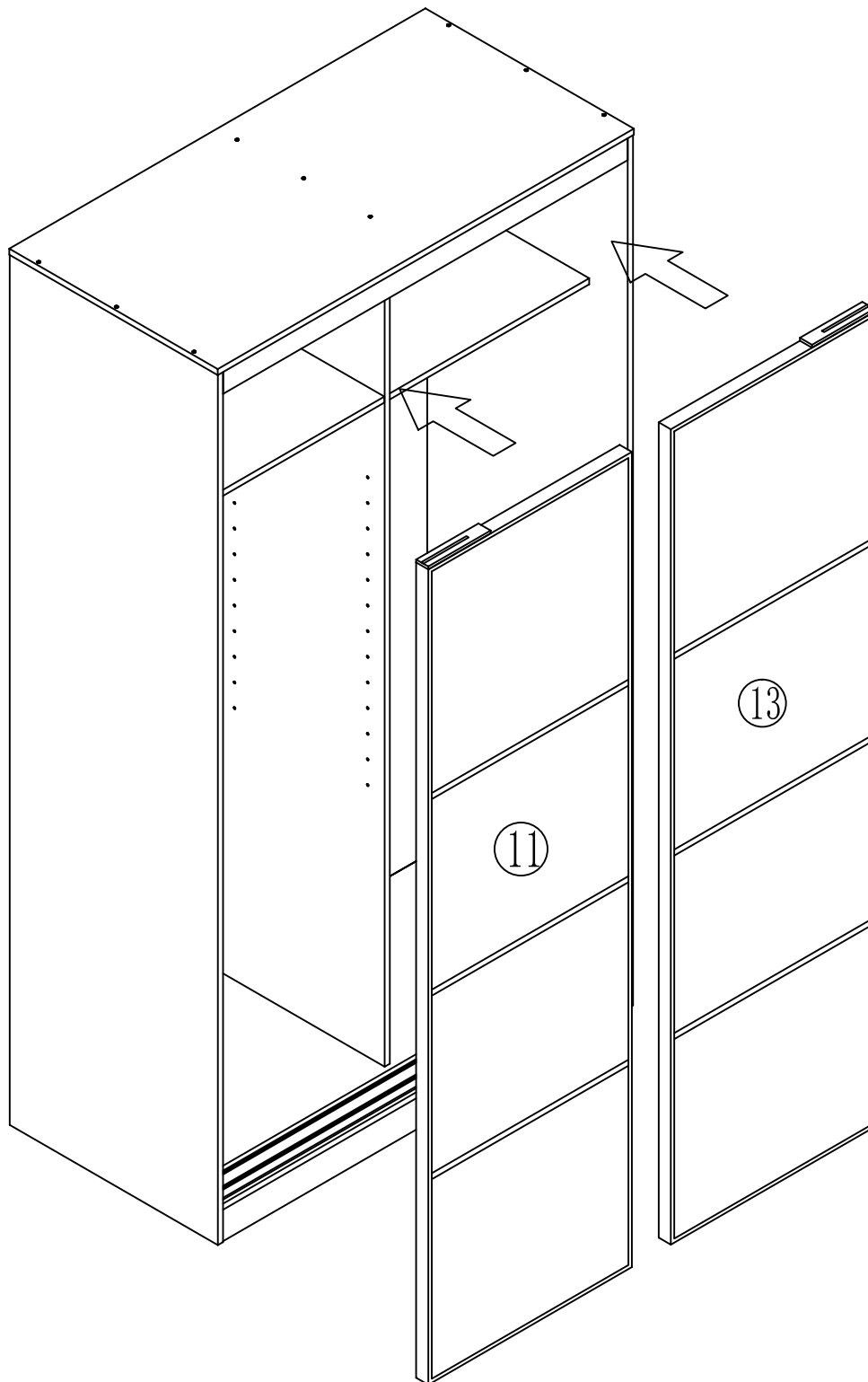


Qx4

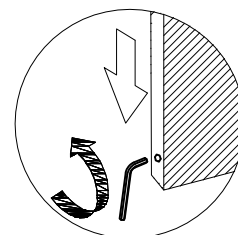
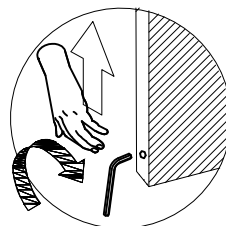


M3.5x16

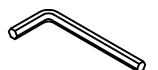
# Step 21



Lift the sliding door with your hand,  
Turn the wrench clockwise to adjust  
it upward, and counterclockwise  
to adjust it downward.

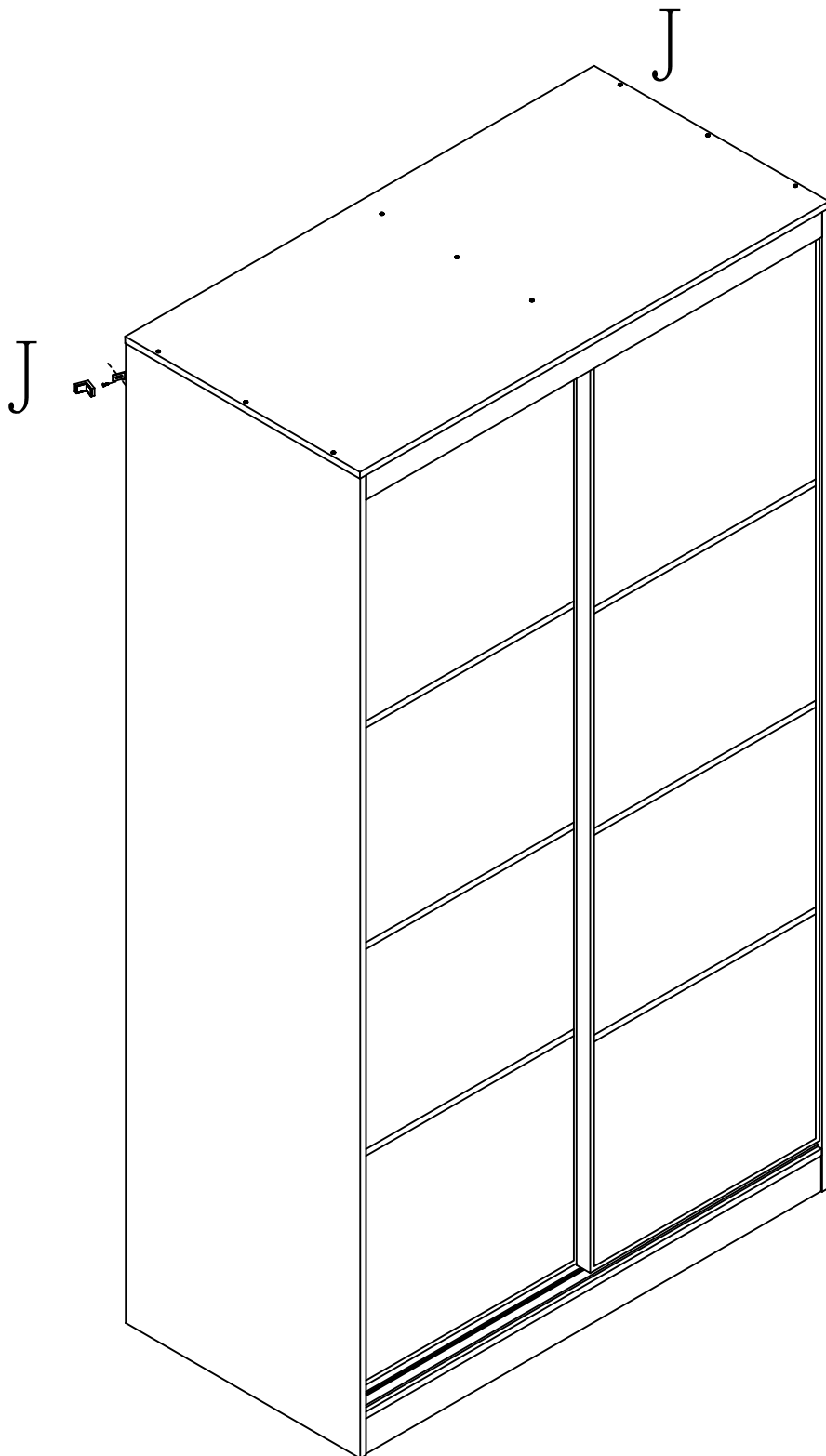


Gx1

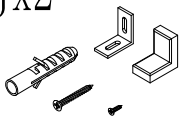


M5

# Step 22



Jx2



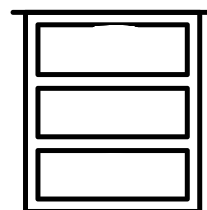
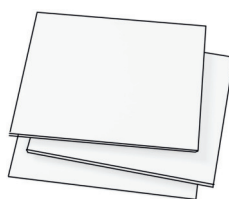
## FAQ

Har du spørsmål? Ta kontakt på [info@flexiform.no](mailto:info@flexiform.no) eller finn mer informasjon på [flexiform.no](http://flexiform.no) eller [flexislide.no](http://flexislide.no)

*Do you have any questions? Contact us at [info@flexiform.no](mailto:info@flexiform.no) or find more information at [flexiform.no](http://flexiform.no) or [flexislide.no](http://flexislide.no).*

Scan qr koden nedenfor for ekstra veiledning.

*Scan the QR code below for additional guidance.*



Ønsker du å oppgradere garderobeskabet ditt med ekstra hyller og skuffer, kan du kjøpe dette hos våre forhandlere.

*If you would like to upgrade your wardrobe with additional shelves and drawers, you can purchase these from our retailers.*