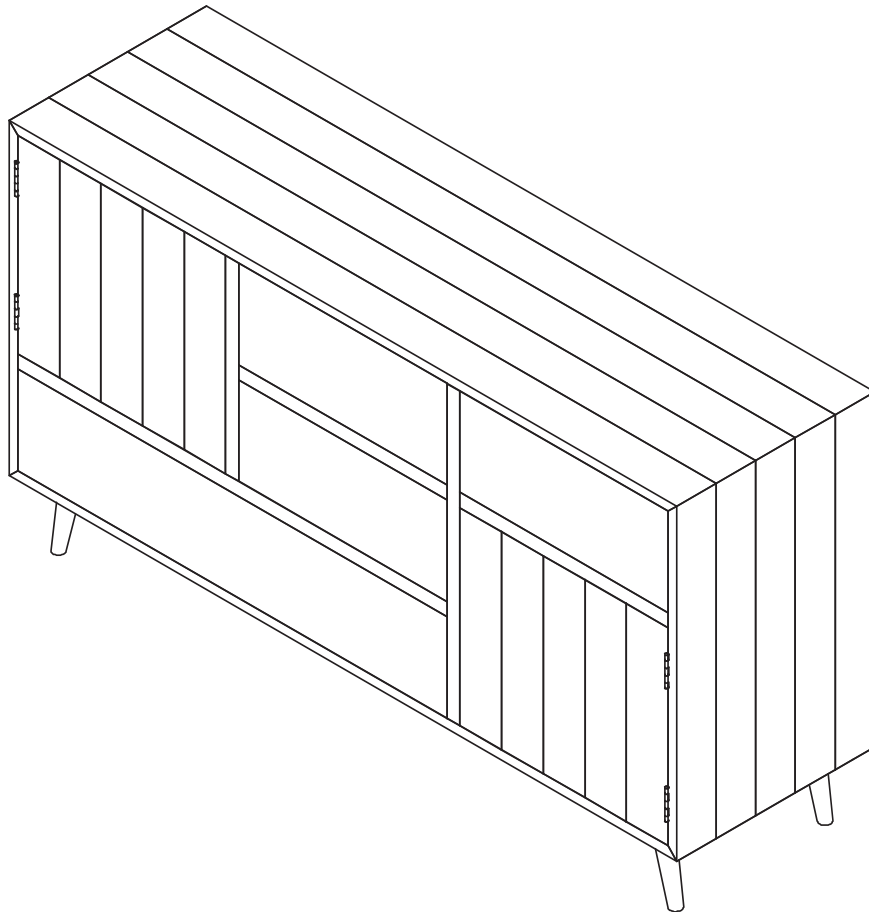


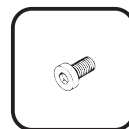
ASSEMBLY INSTRUCTION  
**BUFFET CABINET**  
**BHD002**



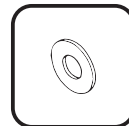
**CONTAIN 2 PARTS**

- **Part 1:** Fully assembled cabinet
- **Part 2:** Four angle legs,  
One straight leg

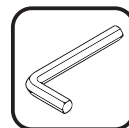
**HARDWARE PACK**



Bolt (20pcs)  
Φ 8 x 20



Washer (20pcs)  
Φ 8 x 19 x 1.2



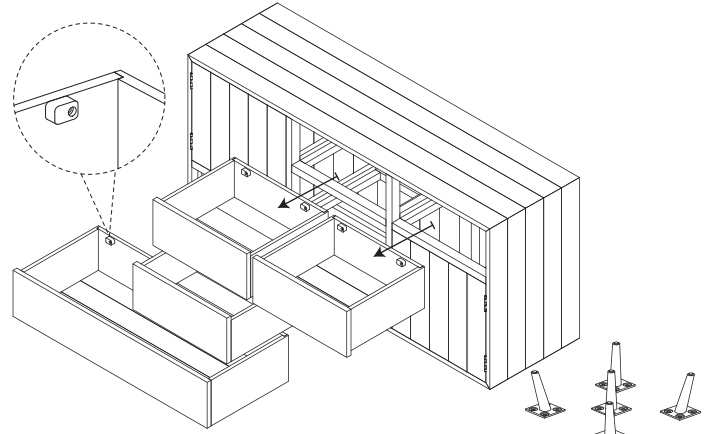
Hex Key (1pc)  
Φ 4

# BUFFET CABINET BHD002

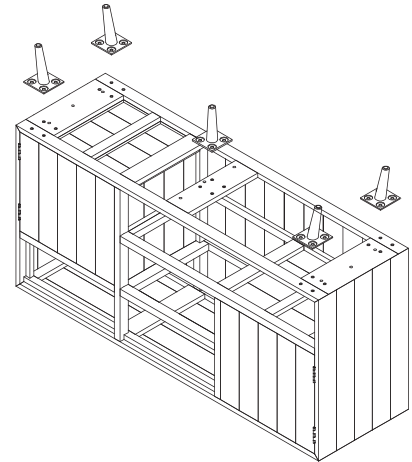
**This assembly requires 2 adults!**

*Lay all parts on a blanket to prevent scratching.  
Carefully lift each part*

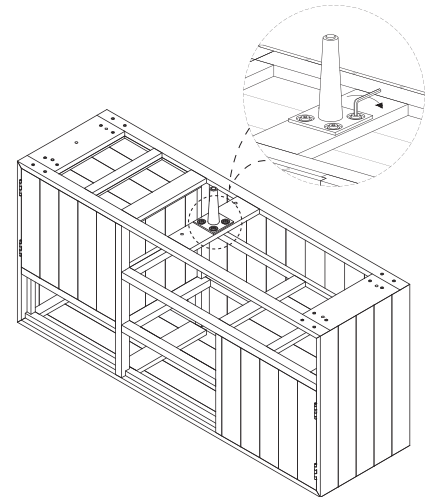
- **Step 1:** Pull the **Drawers** out of the cabinet by turning the drawer's stopper anti-clockwise.



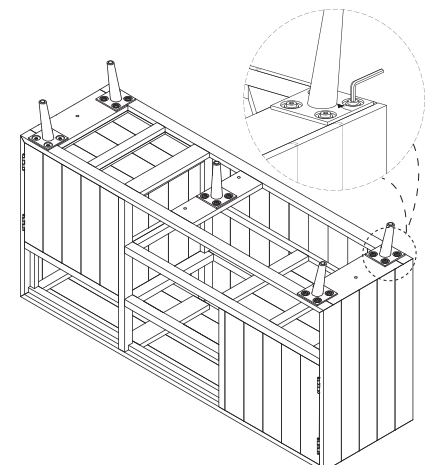
- **Step 2:** Turn the cabinet up side down.



- **Step 3:** Fit the **straight leg** to the centre location. Insert all 4 bolts with washers into their slots, then tighten the bolts by using the hex key provided.

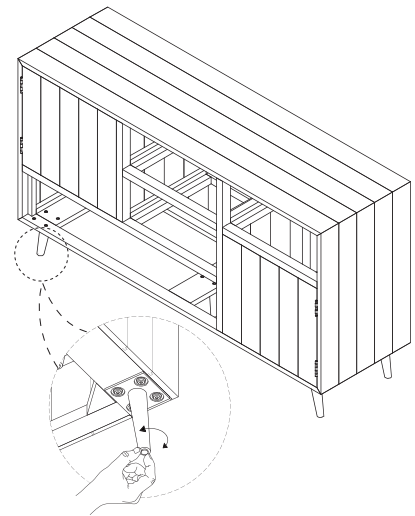


- **Step 4:** Fit the 4 **angle legs** to the cabinet's corner locations by using bolts and washers. Ensure that the legs point to the outside, then tighten the bolts by using the hex key provided.  
(Note: Please match the leg with its number to the cabinet's section that has the same number)

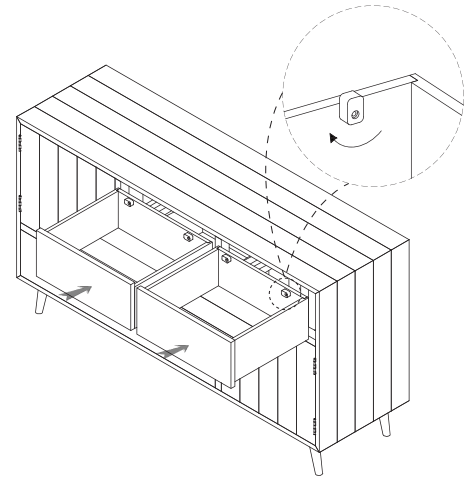


**BUFFET CABINET**  
**BHD002**

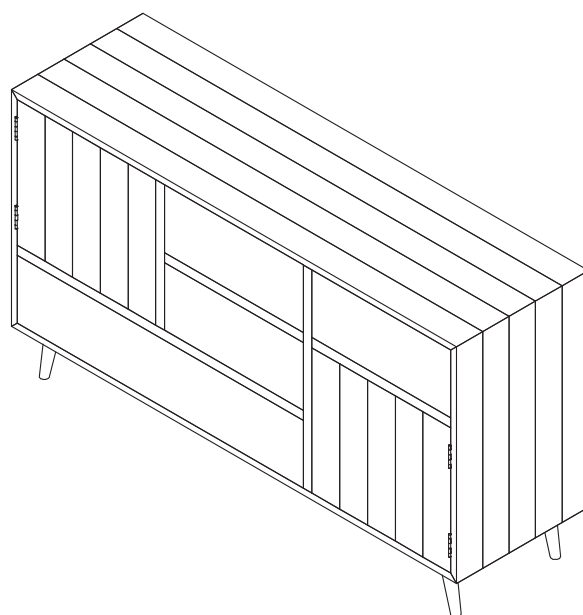
- **Step 5:** Turn the cabinet over, then adjust the **rubber pin** under each leg until each rubber pin touch the ground, so that your cabinet will be in balance.



- **Step 6:** Insert the drawers and turn the **drawer stops** up to prevent the drawers from falling out when you open.



**The assembly is now completed!**



**ENJOY YOUR NEW PGT RECLAIMED<sup>®</sup> PRODUCT**

For further information, please visit our website [www.pgt-reclaimed.com](http://www.pgt-reclaimed.com)