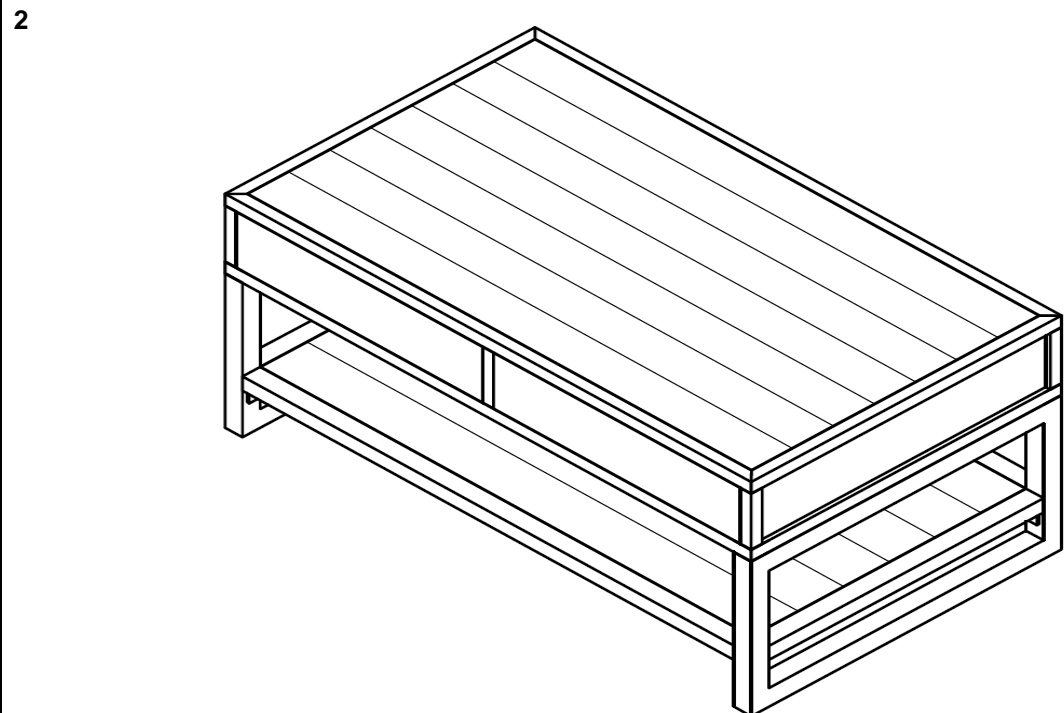


HARDWARE		QUANTITY
A	Bolt Φ 10 x 25	6
B	Washer Φ 10 x 20 x 1.8	6
C	Screw Φ 4 x 20	8
D	Ring Spanner K17 x 25 x 135	1

Assembly requires two adults.  
We suggest to place the table upside down on a blanket to protect it from scratching.  
Attach the legs using bolt (A) and washer (B).  
Attach the shelf using screws (C)  
Tighten all bolts by using ring spanner (D), do not use power tool.



— FINISH —

**RECLAIMED** is the trading brand of PGT-RECLAIMED (INTERNATIONAL) LTD who is the owner of this assembly instruction. No person or organization is permitted to reproduce or modify under any circumstances wherever and however displayed without written permission.